






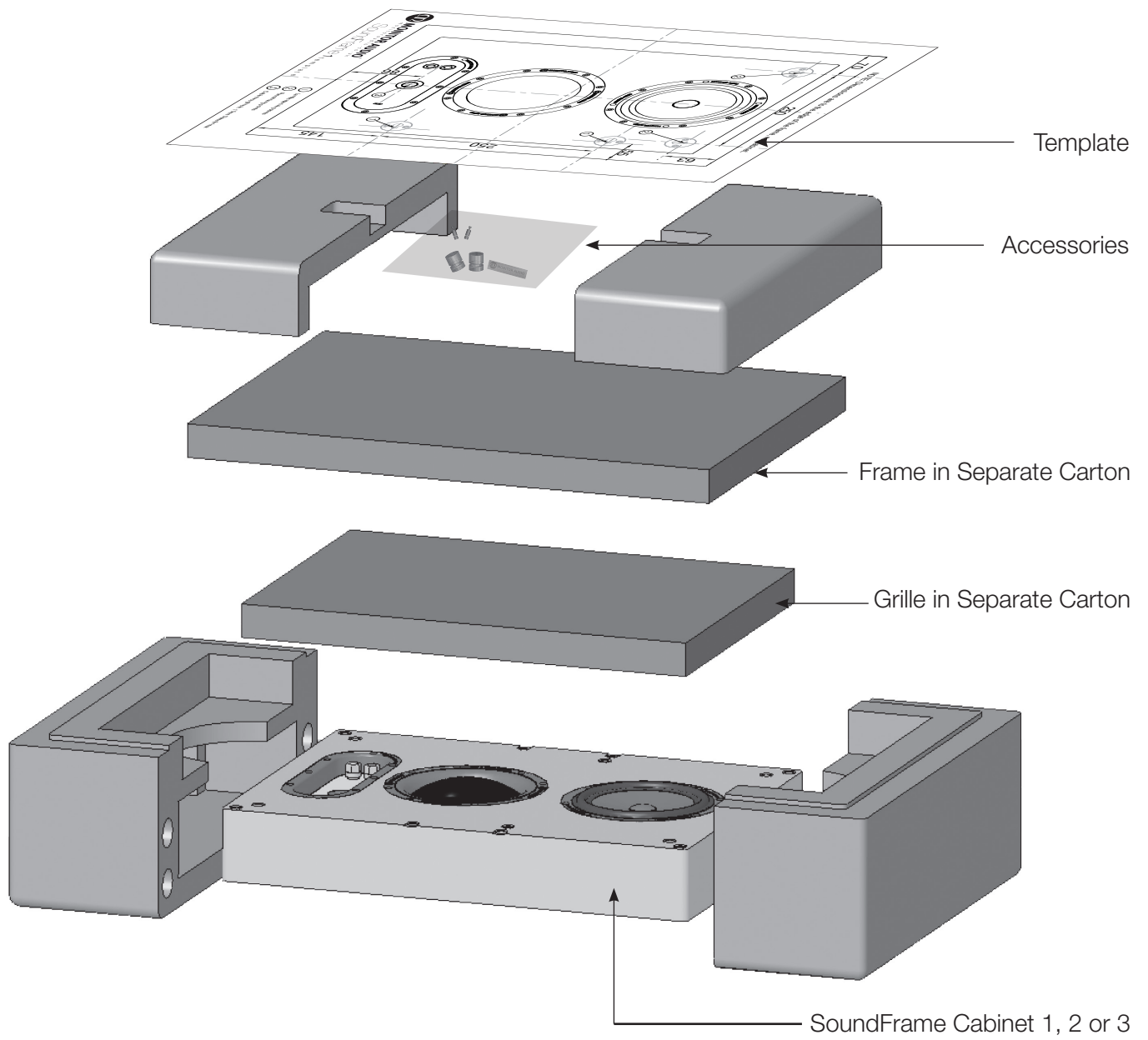
SoundFrame

Installation Information

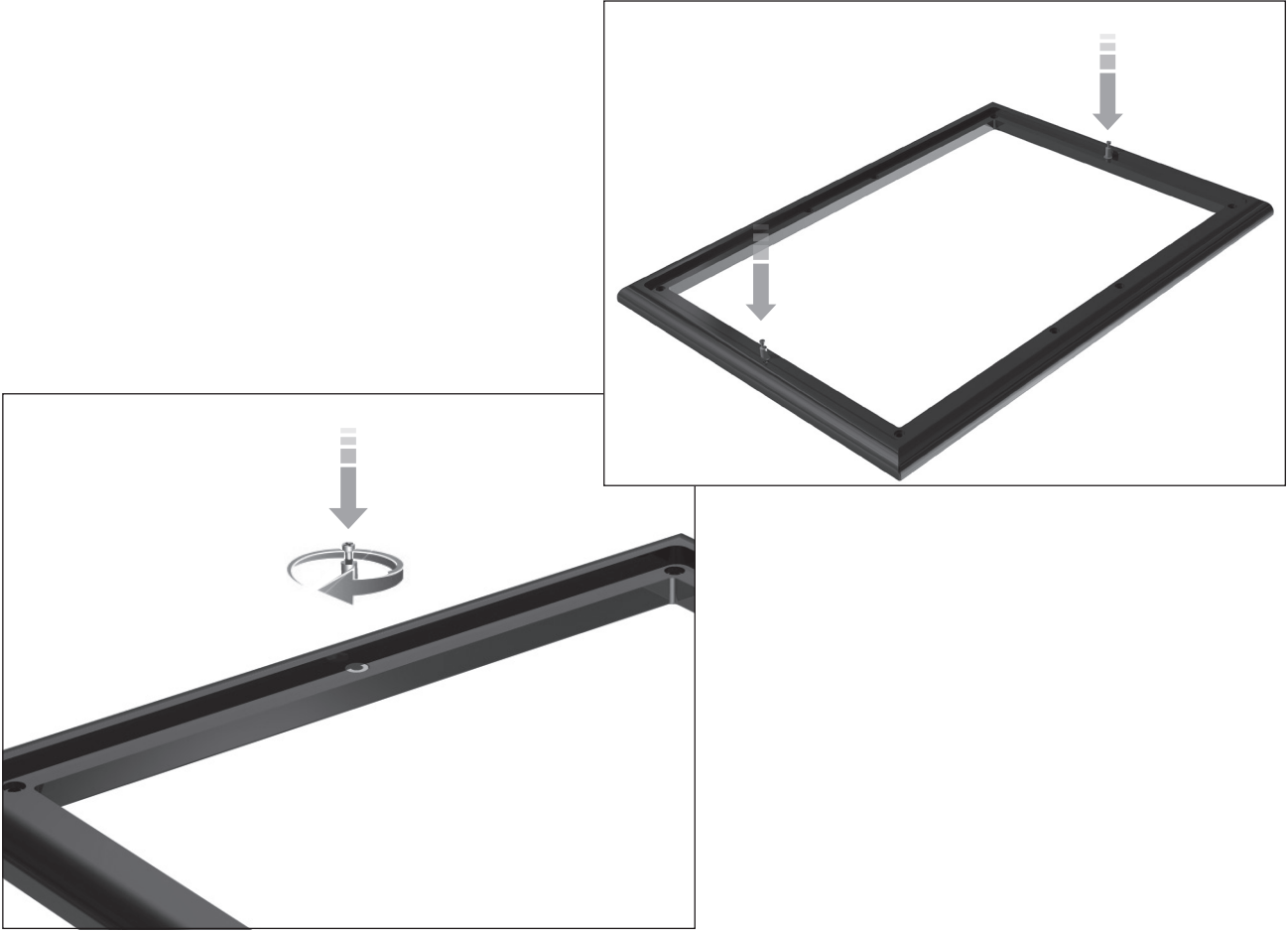


In the box.

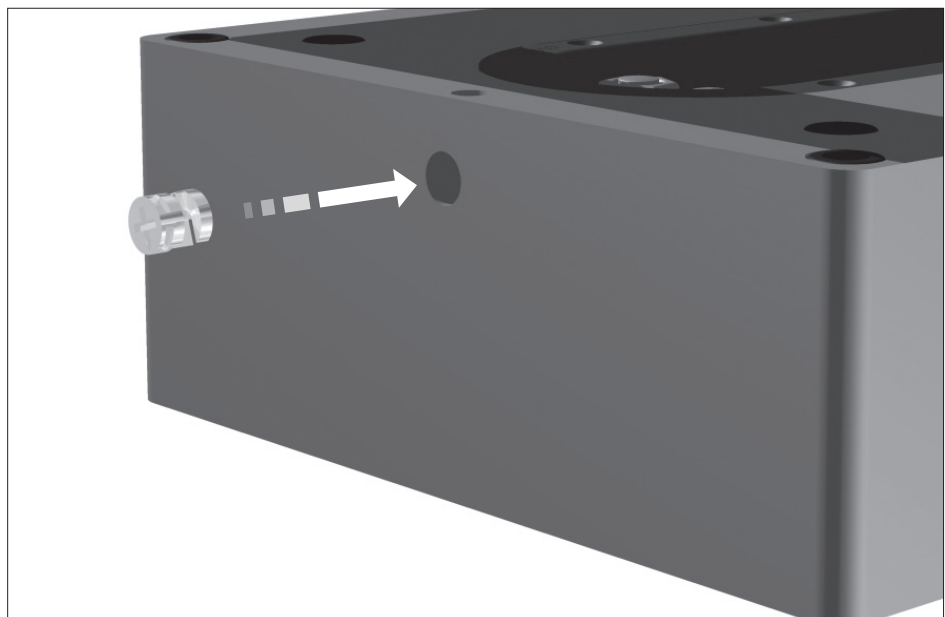
 MONITOR AUDIO	x1
Grille Badge	x1
	x2
Frame Peg	x2
	x2
Frame Cam	x2



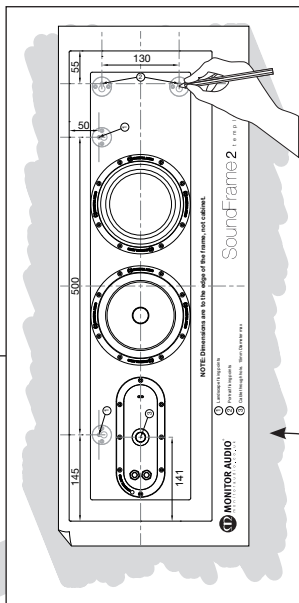
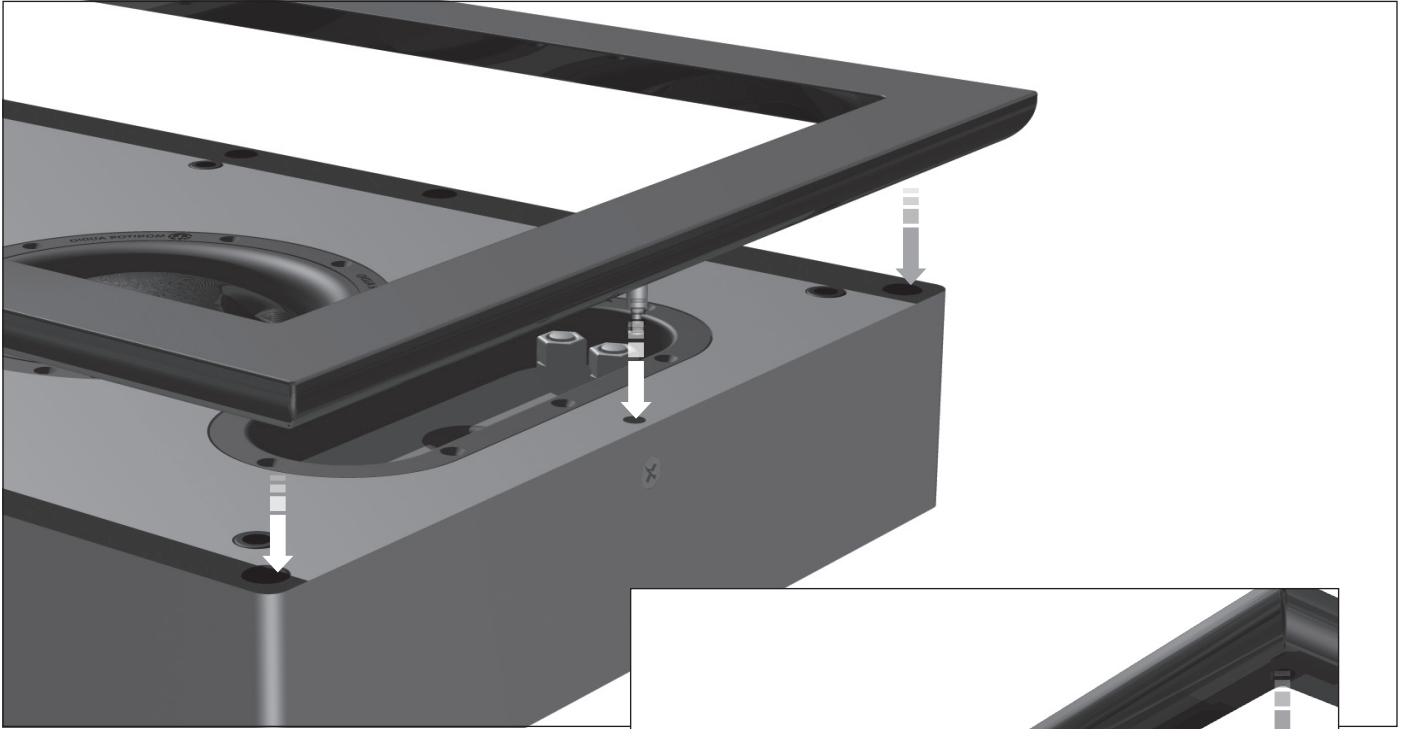
**1** Fix the pegs to the frame.



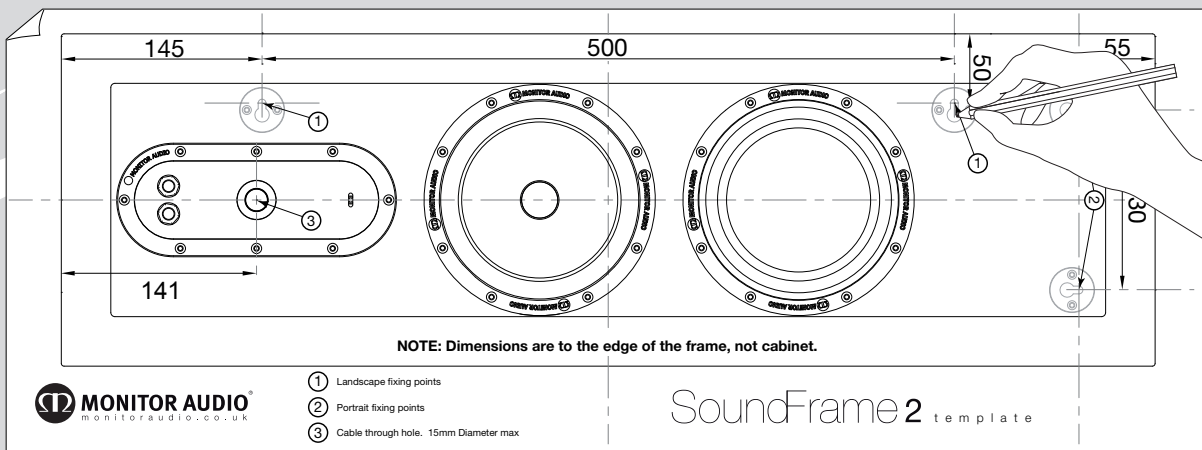
**2** Cam Lock.



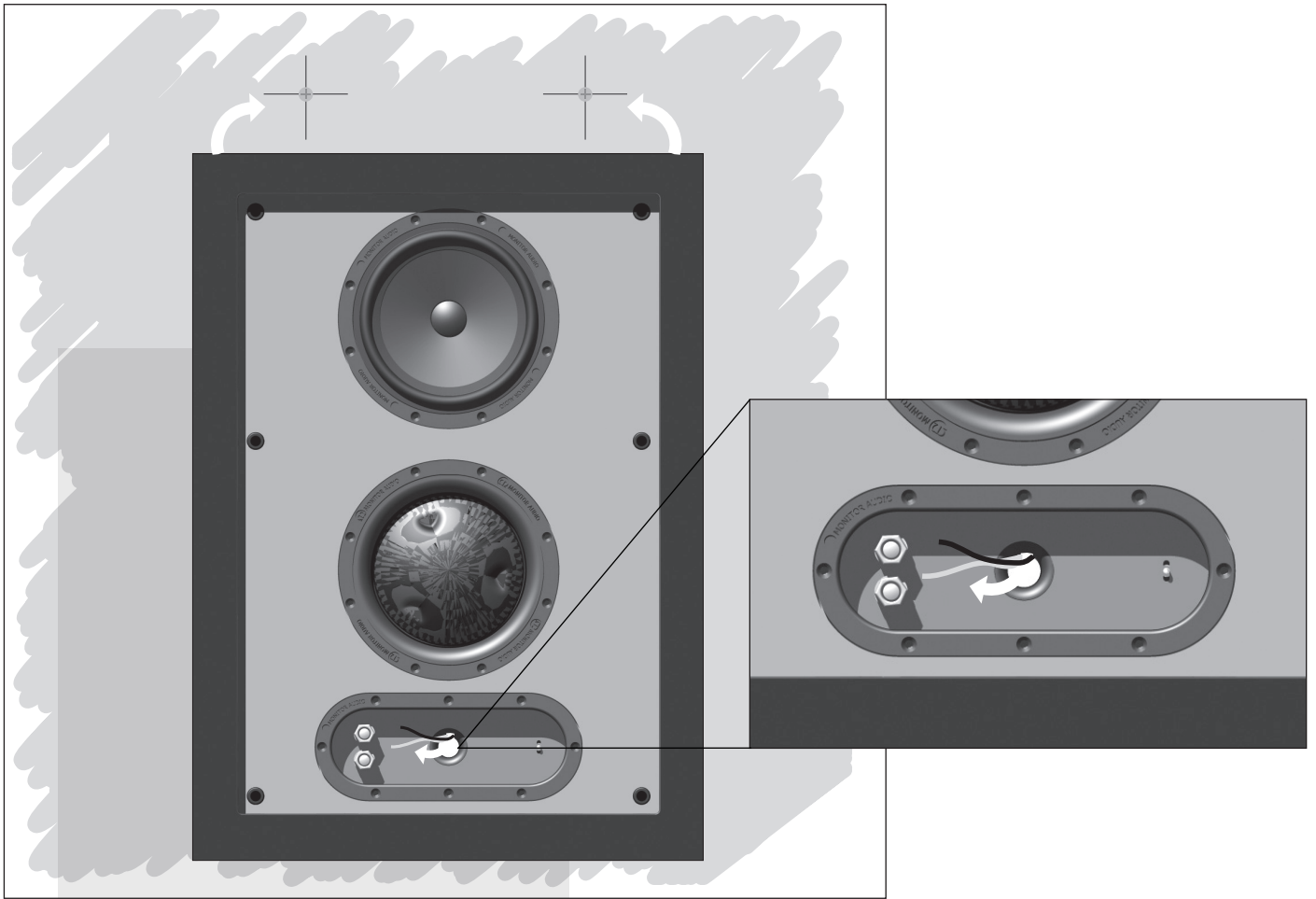
### 3 Attach frame to cabinet.



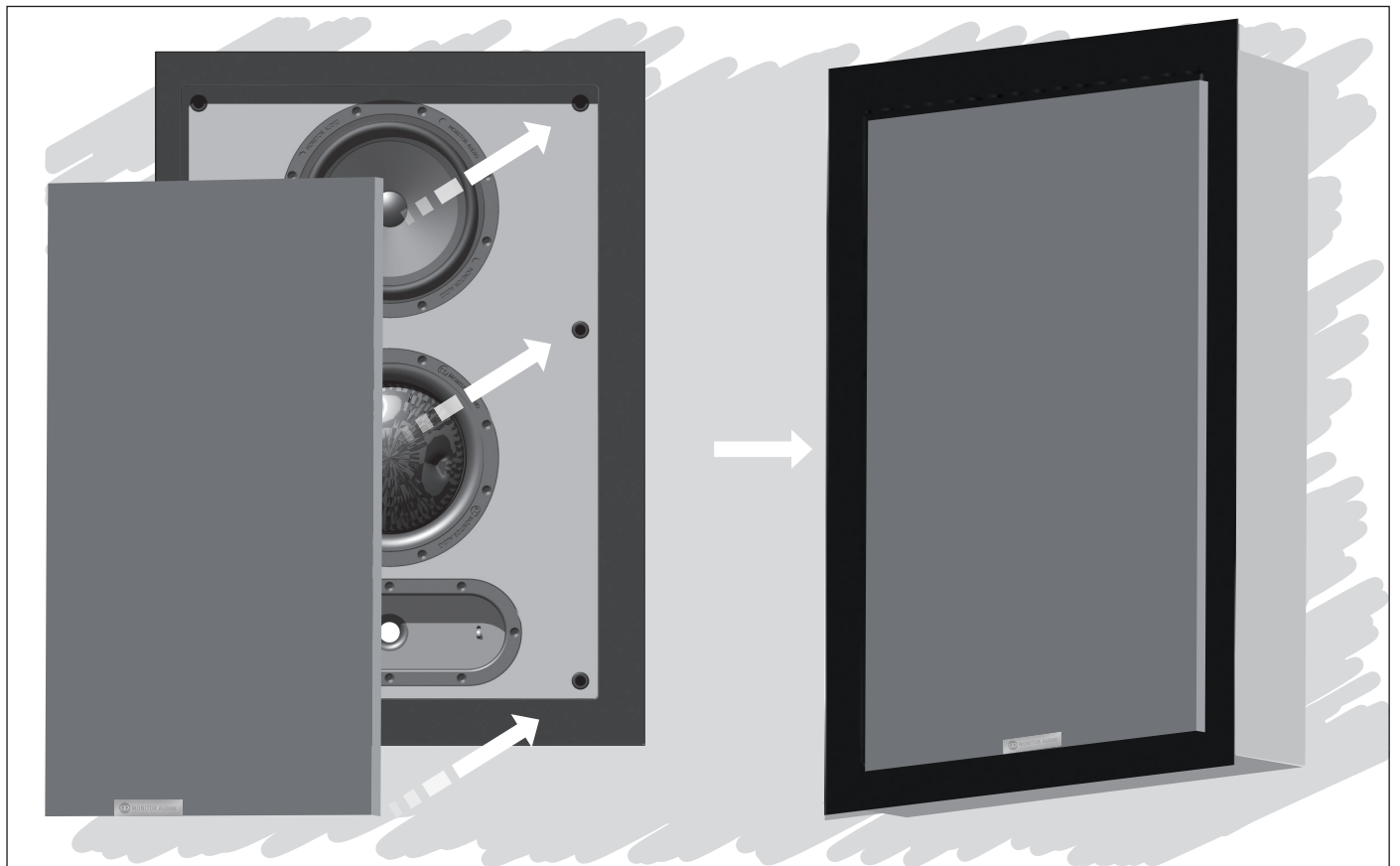
### 4 Mark wall using template before drilling & attaching fixings.



**5** Feed wires through back and hang cabinet.



**6** Fit badge to grille and then fit grille.

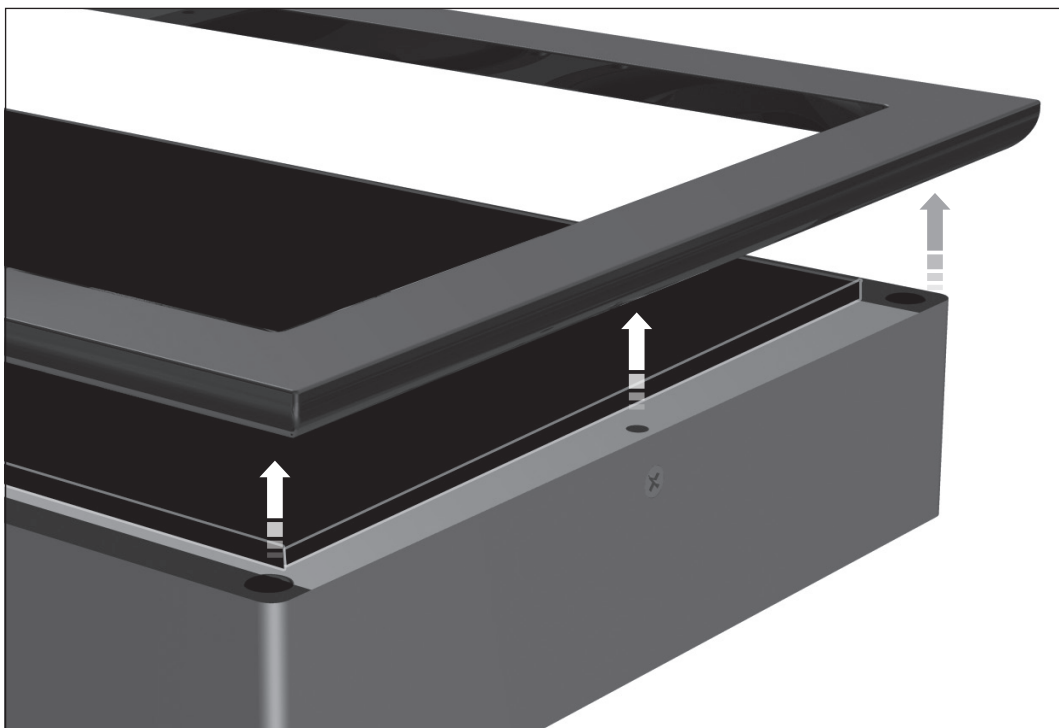
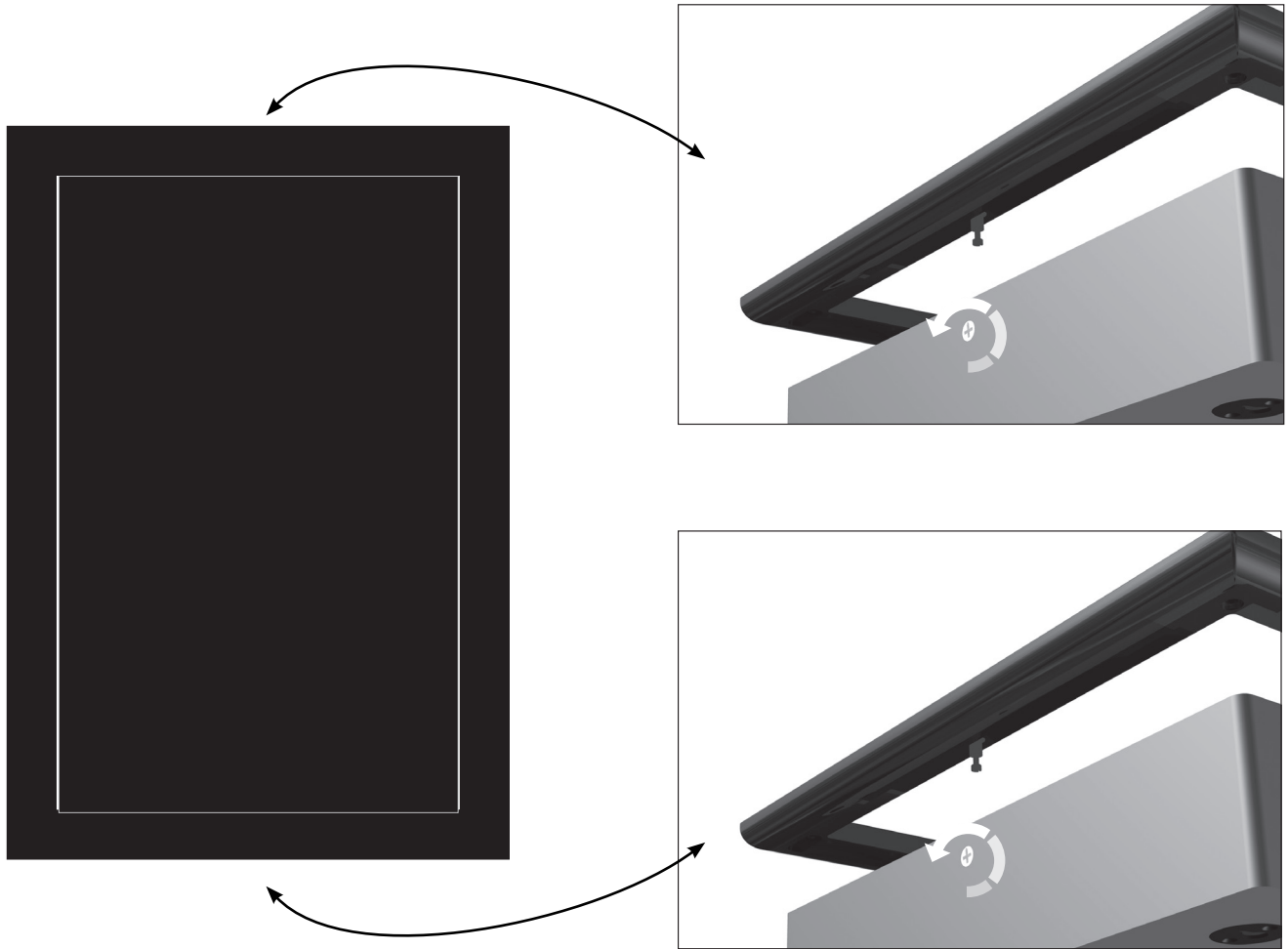


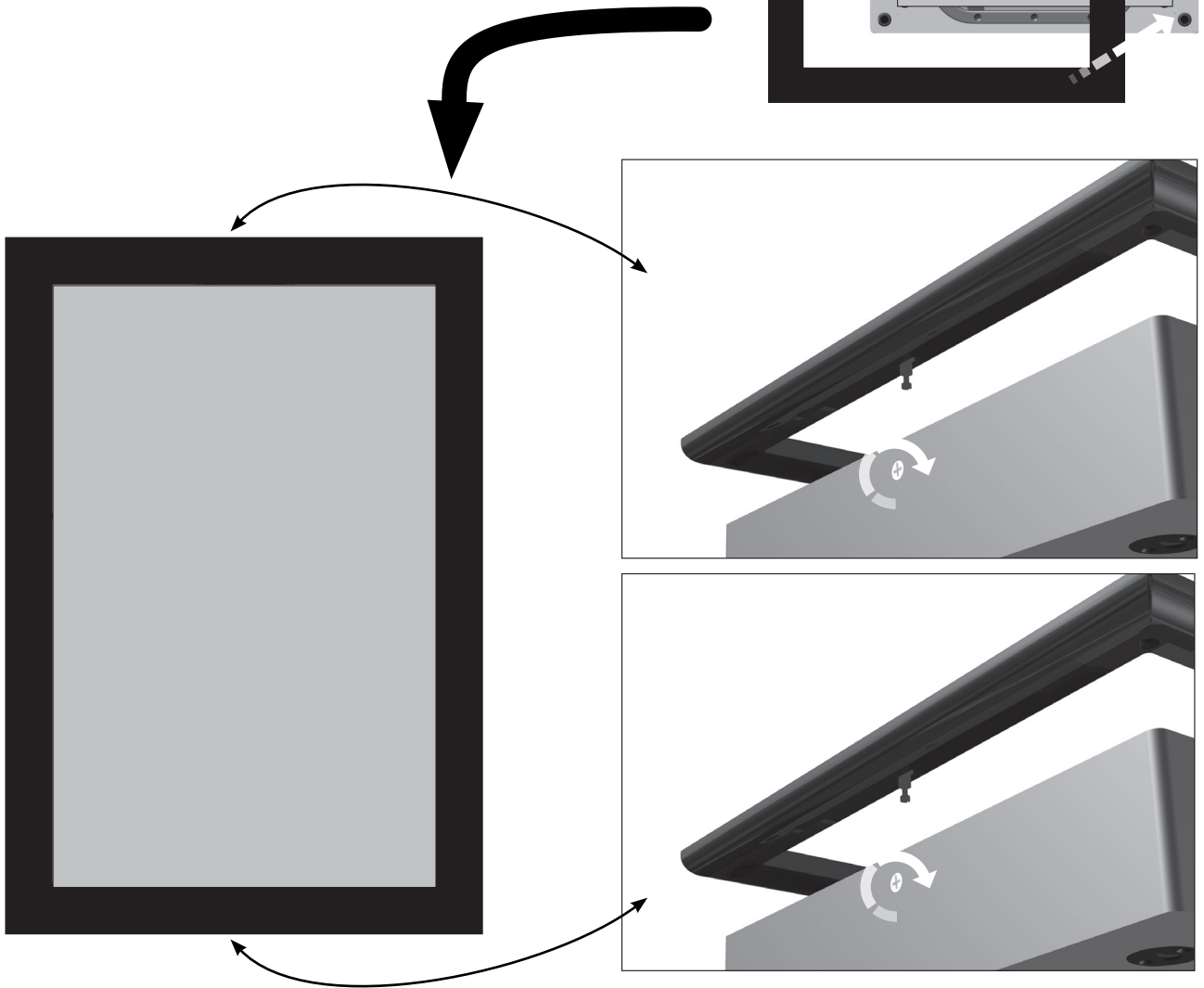
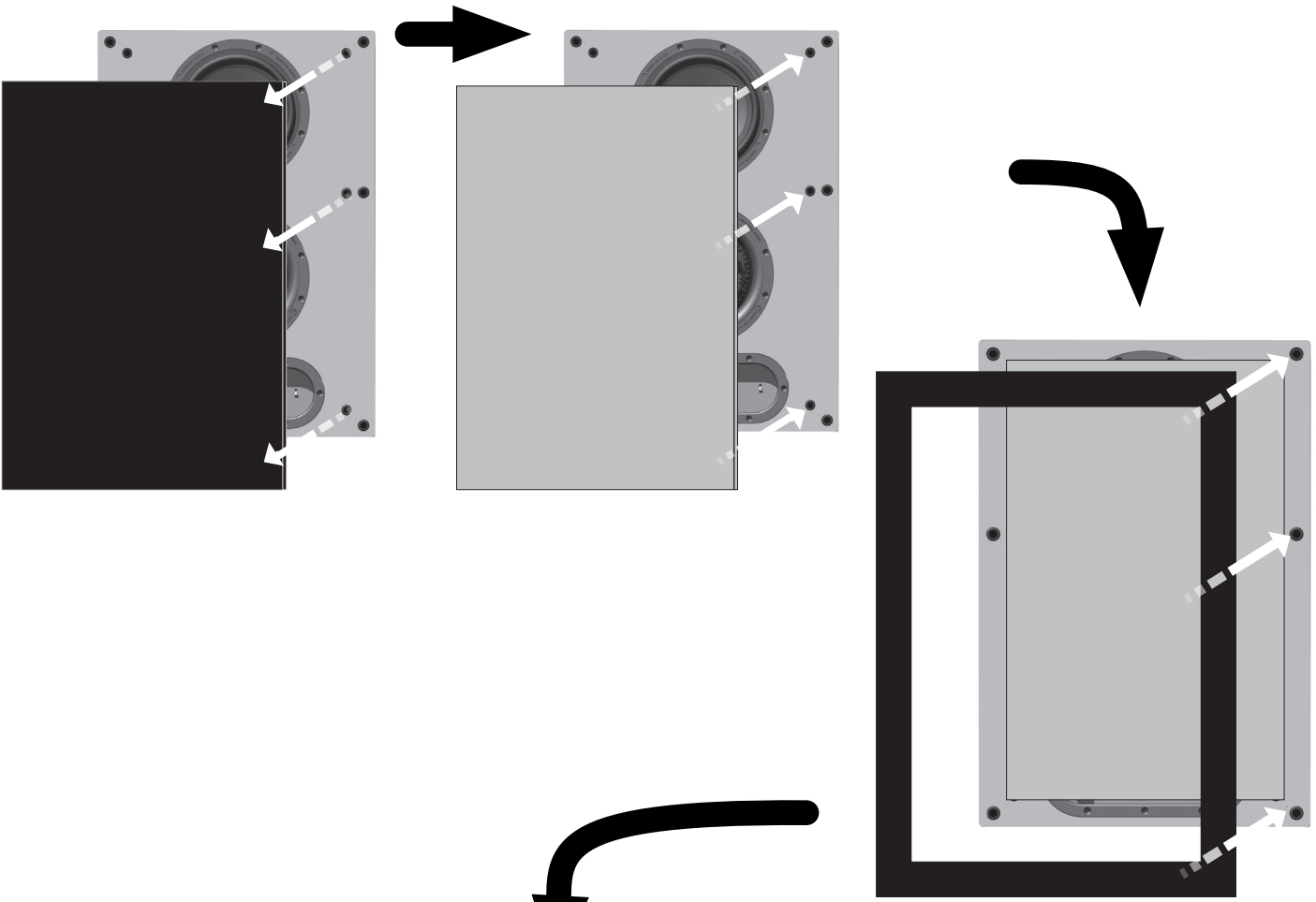
# Grille removal and Installation guide

Grille détachable et guide d'installation

Installationshandbuch

Guía de reemplazo e instalación de rejillas







# Specifications:

## Specifications

Frequency Response

Sensitivity

System Configuration

Driver Compliment:

Nominal Impedance

Maximum SPL (each @1m)

Recommended Amplifier Requirements (RMS). Watts

Bass Alignment

Power Handling (RMS). Watts

Crossover Frequency

Overall Dimensions (including frame)  
(H x W x D)

Weight. Kg (lb)

Finishes

## Sound Frame 1

55Hz – 35kHz

86dB

3 way

1 x 6.5" C-CAM® mid/bass driver with RST®II technology.

1 x 4" IDC® mid-range driver with dual concentric 25mm C-CAM® gold dome tweeter.

8 Ohms

106 dBA

25-100

Sealed Box

100

550Hz & 3.3KHz

539 x 389 x 87.5mm  
(21 1/4 x 15 1/4 x 3 7/16")

7.44 (16.37)

\*Matt white cabinet with white high gloss piano lacquer frame.

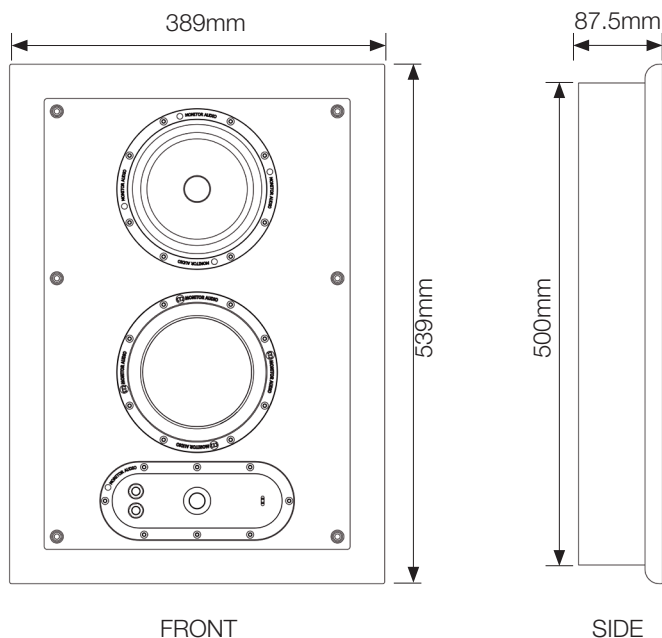
\*Matt black cabinet with black high gloss piano lacquer frame.

\*Matt white cabinet with white primed frame (paint-able).

White Lacquer

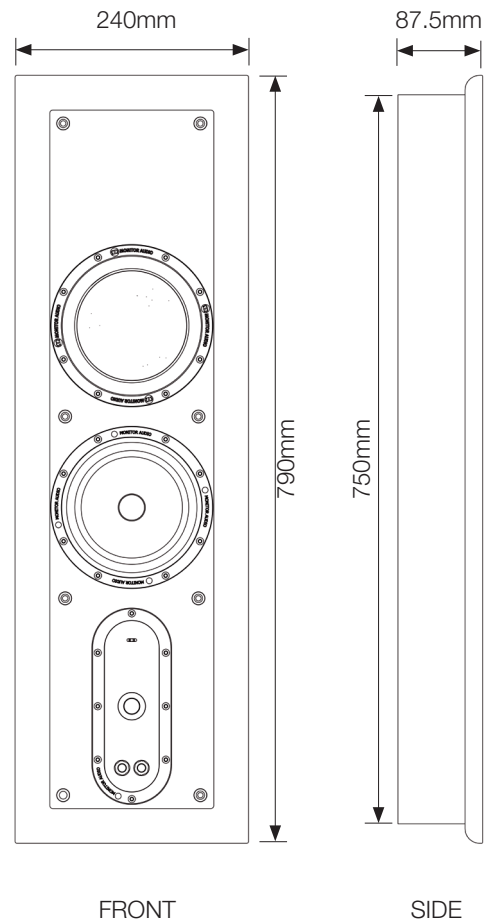
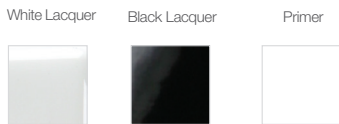
Black Lacquer

Primer



## Specifications

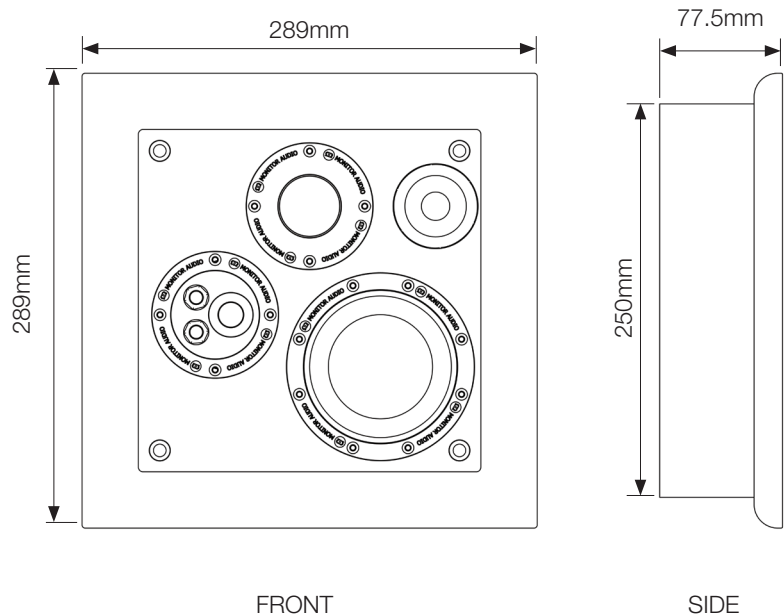
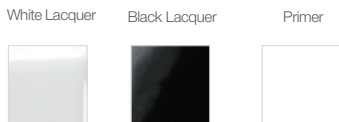
Frequency Response	55Hz – 35kHz
Sensitivity	86dB
System Configuration	3 way
Driver Compliment:	1 x 6.5" C-CAM® mid/bass driver with RST®II technology. 1 x 4" IDC® mid-range driver with dual concentric 25mm C-CAM® gold dome tweeter.
Nominal Impedance	8 Ohms
Maximum SPL (each @1m)	106 dBA
Recommended Amplifier Requirements (RMS). Watts	25-100
Bass Alignment	Sealed Box
Power Handling (RMS). Watts	100
Crossover Frequency	550Hz & 3.3KHz
Overall Dimensions (including frame) (H x W x D)	790 x 240 x 87 mm (31 x 9 <sup>7/16</sup> x 3 <sup>7/16</sup> ")
Weight. Kg (lb)	7.06 (15.53)
Finishes	*Matt white cabinet with white high gloss piano lacquer frame. *Matt black cabinet with black high gloss piano lacquer frame. *Matt white cabinet with white primed frame (paint-able).



## Specifications

Frequency Response	75Hz – 35kHz
Sensitivity	85dB
System Configuration	2 way
Driver Compliment:	1 x 4" MMP®II mid/bass driver with. 1 x 25mm C-CAM® gold dome, pivoting tweeter.
Nominal Impedance	8 Ohms
Maximum SPL (each @1m)	102.5 dBA
Recommended Amplifier Requirements (RMS). Watts	25-50
Bass Alignment	Bass Reflex
Power Handling (RMS). Watts	50
Crossover Frequency	3.2kHz
Overall Dimensions (including frame) (H x W x D)	289 x 289 x 77.5mm (11 <sup>3/8</sup> x 11 <sup>3/8</sup> x 3 <sup>1/16</sup> "
Weight. Kg (lb)	2.75 (6.05)
Finishes	*Matt white cabinet with white high gloss piano lacquer frame. *Matt black cabinet with black high gloss piano lacquer frame. *Matt white cabinet with white primed frame (paint-able).

## Sound Frame 3





Monitor Audio Ltd  
24 Brook Road, Rayleigh  
Essex, SS6 7XJ  
England  
Tel: + 44 (0)1268 740580  
Fax: + 44 (0)1268 740589  
Email: [info@monitoraudio.co.uk](mailto:info@monitoraudio.co.uk)

[monitoraudio.com](http://monitoraudio.com)  
Designed in the United Kingdom  
Version 2.