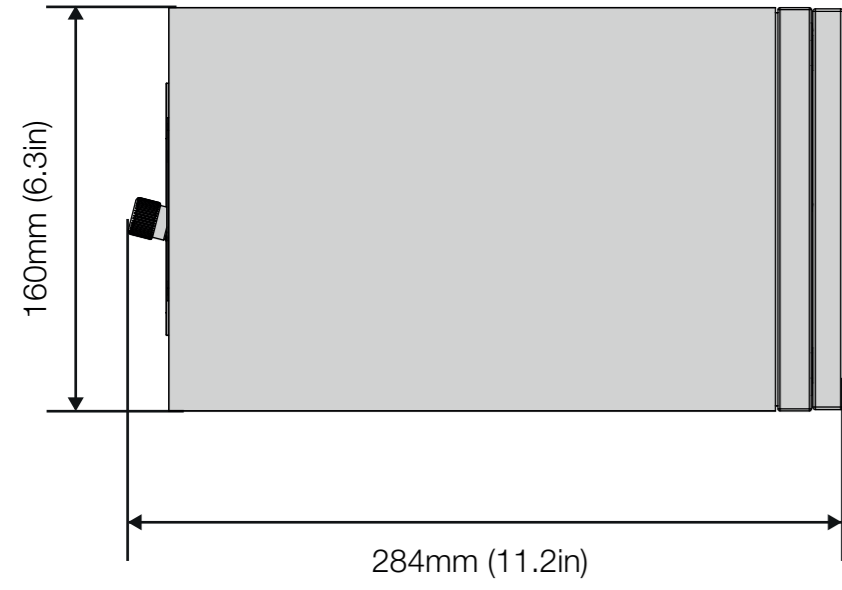
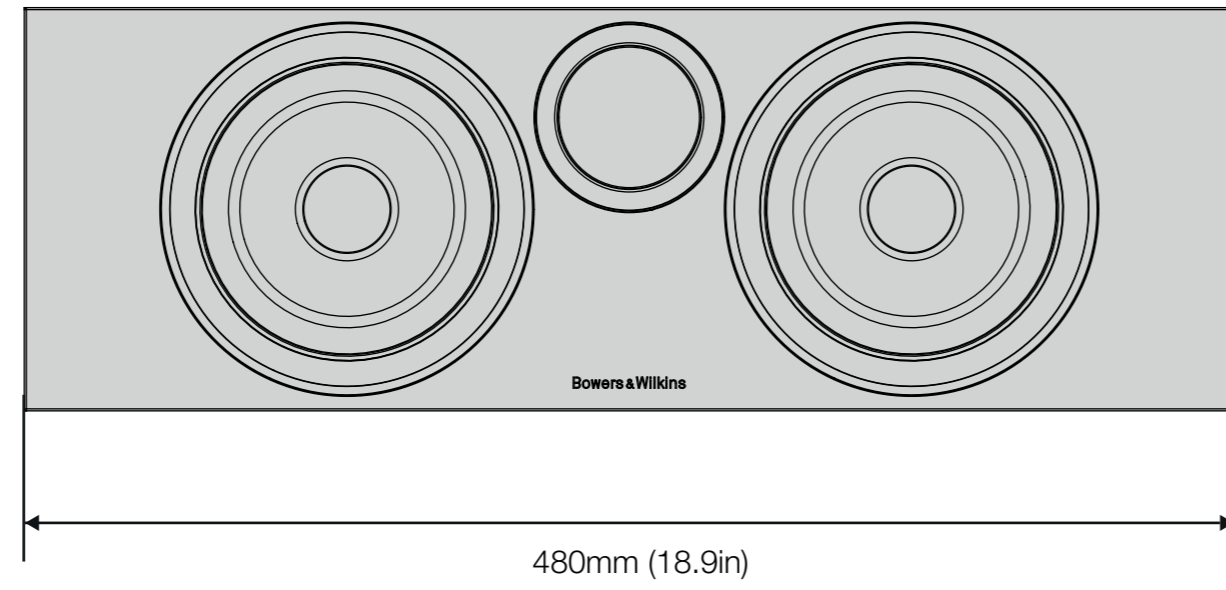


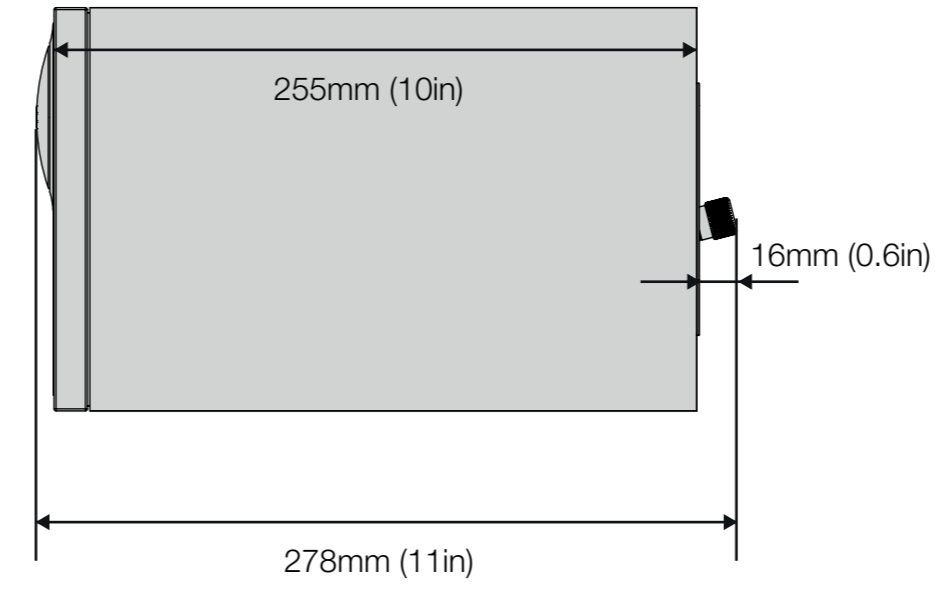
SIDE (WITH GRILLE)



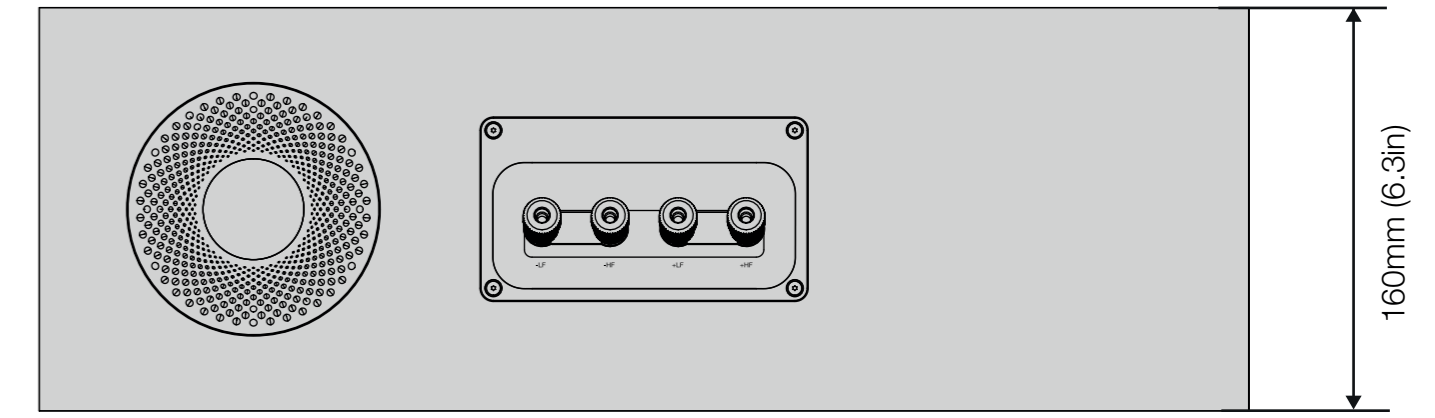
FRONT



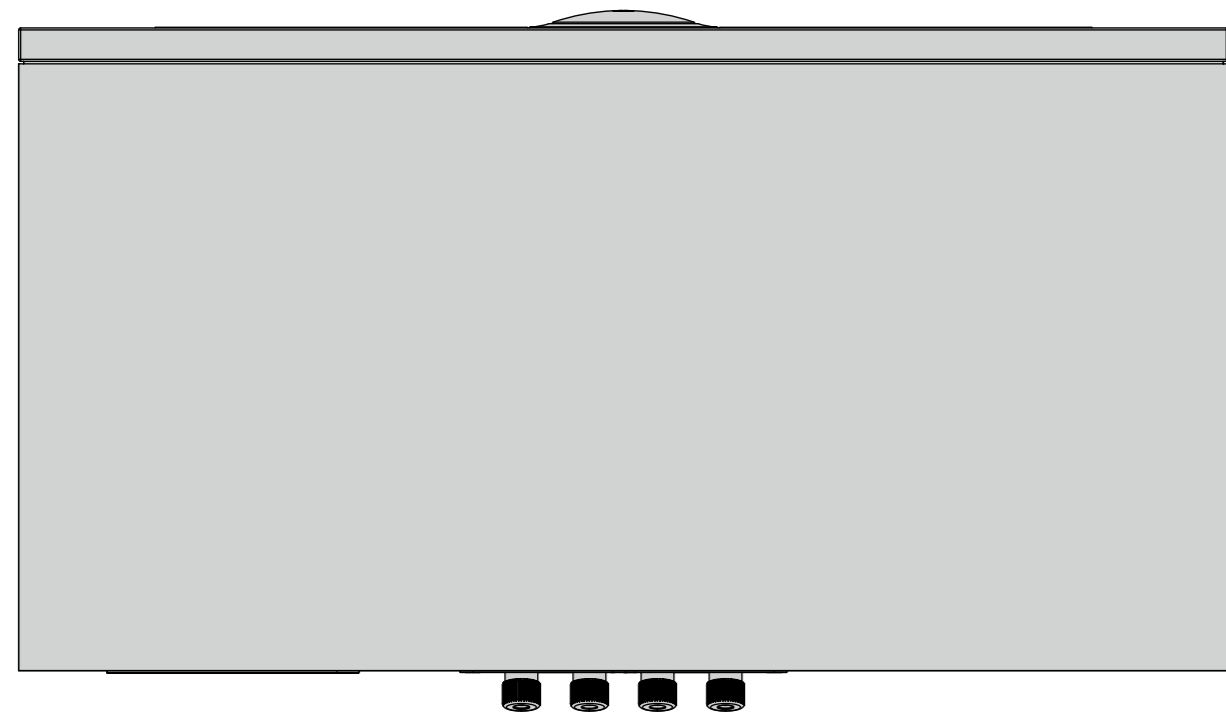
SIDE



BACK



TOP



BOTTOM

