

# VPL-VW5000ES

## The world's most advanced 4K Home Cinema projector

True 4K Home Cinema – more than 4x the quality of Full HD



### At a glance

- 4K resolution: 4096 x 2160
- 5,000 ANSI lumens
- Up to 20,000 hours virtually maintenance-free laser technology.\*
- Instant on/off



### Key Features

Shaped by our professional cinema expertise

With decades of experience developing technology for the big screen, we've packed major innovations into the VPL-VW5000ES:

**Ultimate native 4K**  
Ultra-smooth, native 4K, dramatically reducing the space between pixels.

**HDR compatible**  
View High Dynamic Range as intended in the best possible quality.

**Reality Creation**  
Enjoy your existing Full HD Blu-ray™ collection, upscaled for an exceptional 4K experience – even in 3D.

**Motionflow in 4K**  
Benefit from smoother content thanks to new Motionflow for 4K.

### Bring incredible 4K detail to your favourite movies

Sony's new VPL-VW5000ES is the world's finest projector designed to bring real cinema home. It features stunning 4K resolution powered by a new laser light engine, providing 5,000 lumens of brightness and is compatible with High Dynamic Range (HDR). Providing over 20,000 hours of virtually maintenance-free operation, the VPL-VW5000ES projector is truly the ultimate home cinema display.

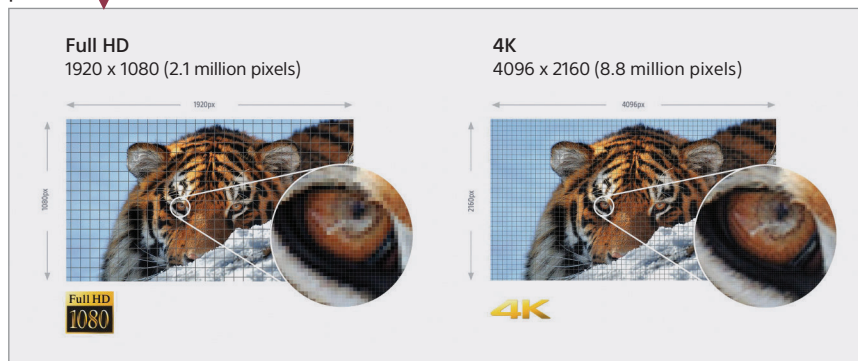
### True laser light source

The ultra-pure, highly efficient laser light source is rated for a nominal 20,000 hours of virtually maintenance-free operation with no lamp swaps. As well as spectacular picture quality and reliability, you'll enjoy reduced operating costs compared with conventional projection systems, plus less worry of lamp failure half way through the show, thanks to the reliable laser light source with Z-Phosphor technology.

\*Actual hours may vary depending on usage and environment

### 4K native resolution: over 4x better than Full HD

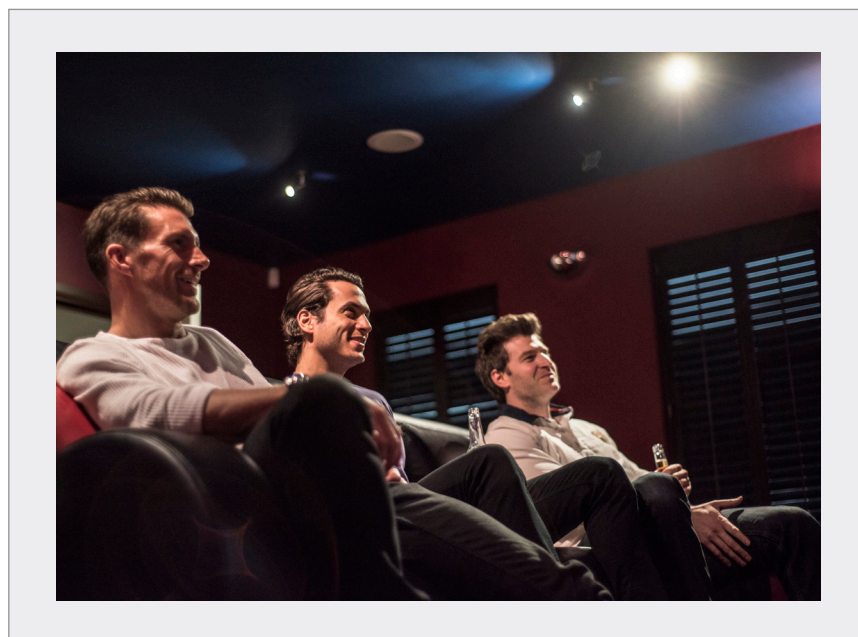
No compromises: 4096 x 2160 4K resolution (the DCI standard in digital cinemas). We've used our professional cinema expertise to develop 4K SXRD panels that produce a 4K native picture with no artificial enhancement of pixels. ▼



Simulated images

### Laser light source technology

The VPL-VW5000ES combines 4K SXRD display technology with a highly efficient laser light source. This unique combination delivers exceptionally bright pictures with excellent colour accuracy and stability, high efficiency and significantly greater durability. Up to 20,000 hours of virtually maintenance-free operation can be delivered without the need for a lamp exchange. This translates to substantial savings in time and money, reducing the costs normally associated with bulb replacement.



### Motionflow for smoother content

Our enhanced Motionflow technology: 'Combination' mode uses our 'Film Projection' and 'Motion Enhancer', adding frames to reduce blur and maintain brightness in thrilling, fast-moving scenes. Cinema purists can choose 'True Cinema' to retain the original 24 frames per second. ▼



Simulated images

### Compatible with High Dynamic Range (HDR)

View a wider range of brightness levels with HDR, the emerging video format that allows content creators to expand their range of creativity.

### Low latency mode

A great feature for gamers. Experience our fastest ever response time between your controller and the screen for ultimate gaming action.



### The latest 4K/60p HDMI standard: 60 frames per second

The VPL-VW5000ES can show up to 60 frames per second in 4K (up to 4K 60p YCbCr 4:4:4 / 8bit 4K 60p YCbCr 4:2:2 / 12bit), the new 4K industry standard and much higher than the earlier 24p. The result is a smoother image with superior colour and realism. Plus, they're HDCP 2.2 compatible, ready for premium 4K content releases.

### Front-facing fan

Because the fan is positioned at the front, you don't need to worry about wall space and room for air inhale/exhaust when you install. This helps maximise the throw distance for bigger projected images.



## Industry standard RF 3D compatible

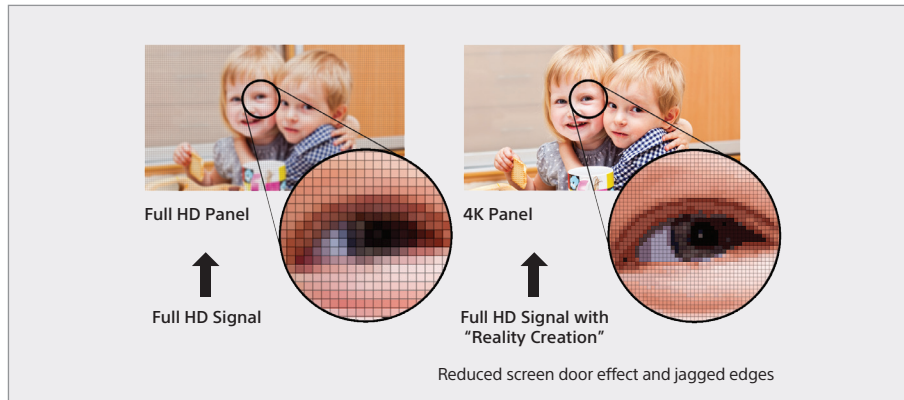
A built-in RF transmitter synchronises with any RF 3D glasses for wider coverage, greater stability, and there's no need for an external transmitter.



Sony RF 3D Glasses

## Reality Creation: upscales your movies to 4K

As well as native 4K material, you can see your current Full HD Blu-ray™ or DVD movie collection upscaled for a 4K experience. Reality Creation is a technology that radically enhances Full HD content, even upscaling 3D movies for 4K.



Simulated images

## Compatible with 4K Ultra HD Blu-ray™ discs

The VPL-VW5000ES enables you to enjoy the full capacity of 4K Blu-ray™ discs, with native 4K and HDR; just as the director intended.



## Wider zoom and shift lens

A 2.06 motorised zoom lens and wide lens shift range of up to 85% vertical and 31% horizontal gives greater installation flexibility – even when the ceiling is very high.

## Suitable for home automation

The VPL-VW5000ES is compatible with many home automation systems, including Crestron Connected and Control4 SDDP. It has an RS232 interface, RJ45 control and IR-IN terminal.



## Manual HSV Colour Correction

A correction tool allows you to adjust the gamma and hue, saturation and brightness of each colour to get exactly the picture you want.

## TRILUMINOS™ Display

The VPL-VW5000ES optical engine and SXRD panels incorporate our TRILUMINOS™ Display technology to produce a much broader colour range, reproducing more tones and textures than a standard projector system. The result is greater purity, depth and realism.



### HDCP 2.2 compatible

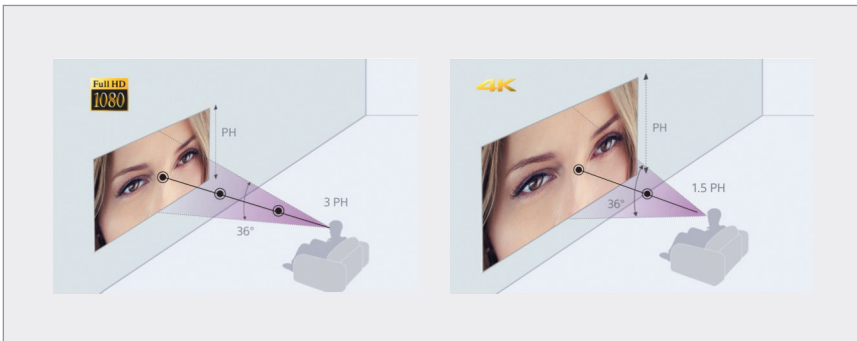
The VPL-VW5000ES is ready for premium 4K content, including TV, internet streamed productions and satellite broadcasts. Now you can experience Sony's first ever 4K Ultra-HD Blu-ray™ titles to add even more choice to your Home Cinema collection. ▼



Sony FMP-X5 Media Player

### Sit closer

With 4K resolution, you can sit closer to the screen without compromising depth and realism. The best viewing position for 4K is at a distance of approximately 1.5 times the height of the projector screen (PH), compared to 3 times the height of the screen for Full HD. ▼

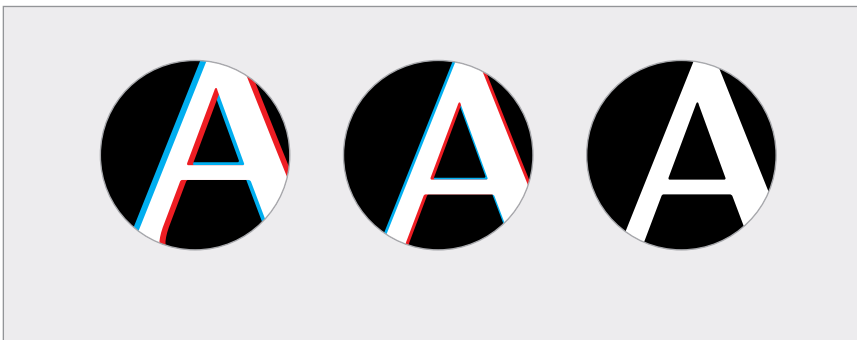


Simulated images

### Electronic panel alignment

Ensures the red and blue elements in each pixel are precisely positioned against green. Adjustments can be made by as little as 0.1 pixels for optimum clarity.

(NB we recommend adjustments are made when the projector is warm). ▼



Simulated images

### Wireless option (up to Full HD 60p)

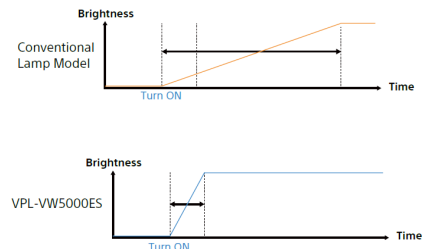
Free yourself from cables and keep things tidy with an optional wireless HDMI emitter/receiver kit. The VPL-VW5000ES can wirelessly connect to your games console, Blu-ray™ Disc player and more, and upscales for a 4K experience with Reality Creation.

### USB updates

To get the best from your projector, the VPL-VW5000ES has USB ports to automatically receive the latest firmware updates, directly to the projector.

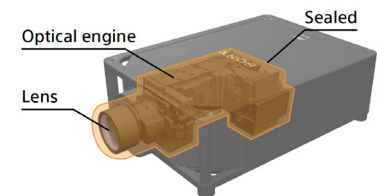
### Quick turn On/Off

The laser projector can be turned on and off quickly.



### Dust resistance by sealed optics

All optical components from lens to light source are sealed, avoiding dust accumulation.



## PrimeSupport

The VPL-VW5000ES comes with our 3 year projector plus 7,000h optical block and laser package. There are no unexpected costs if you experience a problem, just fast, efficient technical support from our free multi-lingual helpline advisors.



## Specifications



		VPL-VW5000ES
Display system		High Frame Rate SXRD panel
Colour light output		5,000 lm
Dynamic contrast		∞:1
Display elements	Effective display size	0.74" x 3
	Effective pixels	4K (4096 x 2160) x3 / 26,542,080 pixels
Projection lens	Zoom / Focus	Electric (Approx. 2.1 x) / Electric
	Throw ratio	1.27-2.73:1
	Lens shift	Electric, V +/-80% H:+/-31%
Light source		Laser Diode
Screen size		60" to 300"
Reality Creation		YES (4K Reality Creation)
High Dynamic Range (HDR)		YES
Compatible with 4K Blu-ray™		YES
Input signal		Up to 4K 60p YCbCr 4:4:4 / 8bit 4K 60p YCbCr 4:2:2 / 12bit
TRILUMINOS™		YES
Max colour space		100% x DCI P3, 80% x BT2020
3D capability		YES
3D emitter		Built-in RF emitter
3D glasses		TDG-BT500A (Optional)
Manual Calibration		HSV Colour Correction
HDCP 2.2 Compliance		YES
Wireless HDMI compatibility		IFU-WH1 (Optional)
Low latency mode		YES
Picture modes		9 modes
Picture position		YES
Gamma modes		11 modes
Panel Alignment		Yes (Shift / Zone)
Input/Output	HDMI	2 inputs (HDCP 2.2), Digital (RGB/Y Pb/Cb Pr/Cr)
	Remote	RS-232C
	LAN	RJ45, 10BASE-T/100BASE-TX
	IR IN	Mini Jack
	TRIGGER	Minijack, DC 12V Max. 100m A
Input/Output	USB	Type A
	Acoustic noise	35dB max
Power requirement		AC 100 V to 240 V, 3.5A to 1.5A, 50/60 Hz
Power consumption		1,200W max
Maintenance-free		20,000h*
Body Colour		Black
Standard outside dimensions		550 x 228 x 880 mm (W x H x D)
Weight		Approx. 43 kg
Supplied Accessories		Remote Control RM-PJ24
		Size AA (R6) manganese batteries (2)
		AC Power Cord for projector (1)
		Quick reference manual (1)
		Operating Instructions (CD-ROM) (1)
		VPLL-Z7013 lens

\*Actual hours may vary depending on usage and environment

## Optional Accessories

3D Glasses  
(TDG-BT500A)



Wireless HD Unit  
(IFU-WH1)

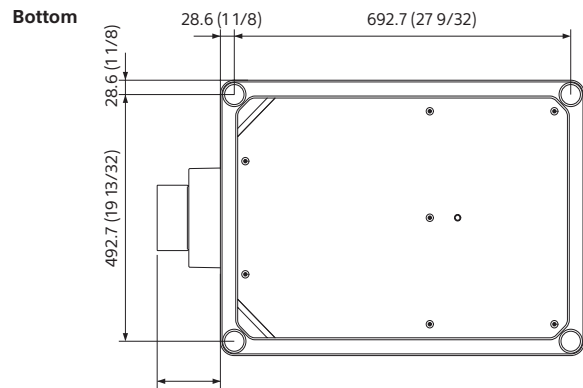
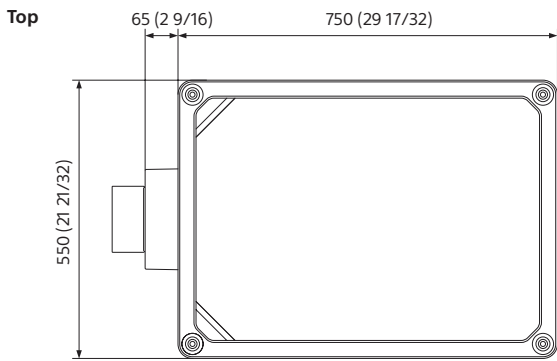
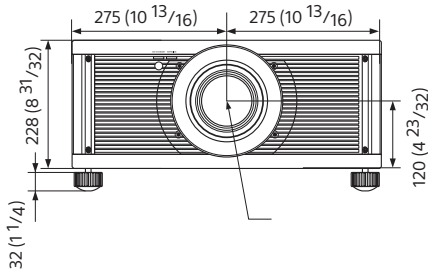


VPLL-Z7008



## Dimensions

Front Unit: mm



VPLL-Z7008

Throw ratio	0.80:1 to 1.02:1
Zoom / Focus	Powered/Powered
Lens shift	Powered, Vertical: +/- 50%, Horizontal: +/- 18%
Aperture	f/2.9
Screen size*	60" to 1000"
Dimensions	Wide W 134 x H 131 x D 309 mm (W 5 9/32 x H 5 5/32 x D 12 5/32 in) Tele W134 x H131 x D283 mm (W 5 9/32 x H 5 5/32 x D 11 5/32 in)
Mass	3.7 kg / 8.2lb

For further details of how to get a fully immersive 4K cinematic experience for your home visit:  
[www.pro.sony.eu/homecinemaprojectors](http://www.pro.sony.eu/homecinemaprojectors)

© 2016 Sony Corporation. All rights reserved. Reproduction in whole or in part without permission is prohibited. Features and specifications are subject to change without notice. All non-metric weights and measurements are approximate. 'Sony' and 'BrightEra' are registered trademarks or trademarks of Sony Corporation. All other trademarks are the property of their respective owners.

Distributed by

Sony is the leading supplier of AV/IT solutions to businesses across a wide variety of sectors including, Media and Broadcast, Video Security, Medical, Digital Cinema and Displays. It delivers products, systems and applications to enable the creation, manipulation and distribution of digital audio-visual content that add value to businesses and their customers. With over 25 years' experience in delivering innovative market-leading products, Sony is ideally placed to deliver exceptional quality and value to its customers. Collaborating with a network of established technology partners, Sony delivers end-to-end solutions that address the customer's needs, integrating software and systems to achieve each organisation's individual business goals. For more information please visit [www.pro.sony.eu](http://www.pro.sony.eu)

Follow us on Twitter at [@SonyProEurope](https://twitter.com/SonyProEurope) / [www.twitter.com/sonyproeurope](https://www.twitter.com/sonyproeurope)

**SONY**