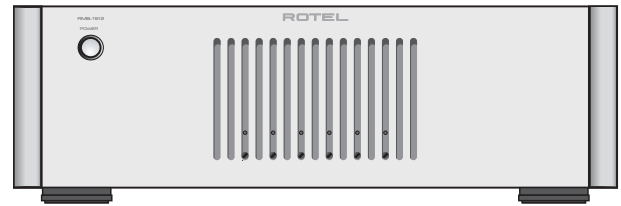




ROTEL®



RMB-1512

Twelve Channel Power Amplifier

Amplificateur de puissance 12 canaux

Zwölfkanal-Endstufe

Etapa de Potencia de Doce Canales

12-kanalen eindversterker

Finale di Potenza a 12 Canali

12-kanals slutsteg

12-канальный усилитель мощности

Owner's Manual

Manuel de l'utilisateur

Bedienungsanleitung

Manual de Instrucciones

Gebruiksaanwijzing

Manuale di istruzioni

Instruktionsbok

Инструкция пользователя

Important Safety Instructions

WARNING: There are no user serviceable parts inside. Refer all servicing to qualified service personnel.

WARNING: To reduce the risk of fire or electric shock, do not expose the unit to moisture or water. Do not expose the unit to dripping or splashing. Do not place objects filled with liquids, such as vases, on the unit. Do not allow foreign objects to get into the enclosure. If the unit is exposed to moisture, or a foreign object gets into the enclosure, immediately disconnect the power cord from the wall. Take the unit to a qualified service person for inspection and necessary repairs.

Read all the instructions before connecting or operating the component.

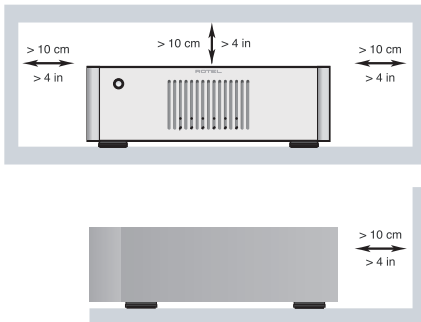
Keep this manual so you can refer to these safety instructions.

Heed all warnings and safety information in these instructions and on the product itself. Follow all operating instructions.

Clean the enclosure only with a dry cloth or a vacuum cleaner.

Do not use this unit near water.

You must allow a minimum 10 cm or 4 inches of unobstructed clearance around the unit.



Do not place the unit on a bed, sofa, rug, or similar surface that could block the ventilation openings. If the unit is placed in a bookcase or cabinet, there must be ventilation of the cabinet to allow proper cooling.

Keep the component away from radiators, heat registers, stoves, or any other appliance that produces heat.

WARNING: The rear panel power cord connector is the mains power disconnect device. The apparatus must be located in an open area that allows access to the cord connector.

The unit must be connected to a power supply only of the type and voltage specified on the rear panel. (USA: 120 V/60Hz, EC: 230V/50Hz)

Connect the component to the power outlet only with the supplied power supply cable or an exact equivalent. Do not modify the supplied cable. A polarized plug has two blades, with one wider than the other. A grounding plug has two blades plus a third grounding prong. These are provided for your safety. Do not defeat grounding and/or polarization safety provisions. If the supplied plug does not fit your outlet, please consult an electrician for replacement of the obsolete outlet. Do not use extension cords.

The main plug of the power cordset is a disconnect device of the apparatus. In order to completely disconnect the apparatus from the supply mains, the main plug of the power cordset should be unplugged from the mains (AC) outlet. The stand-by LED indicator will not be lit up to show the power cord is unplugged. The disconnect device shall remain readily operable.

Do not route the power cord where it will be crushed, pinched, bent, exposed to heat, or damaged in any way. Pay particular attention to the power cord at the plug and where the cord exits the back of the unit.

The power cord should be unplugged from the wall outlet during a lightning storm or if the unit is to be left unused for a long period of time.

This apparatus shall be connected to a main socket outlet with a protective earth connection.

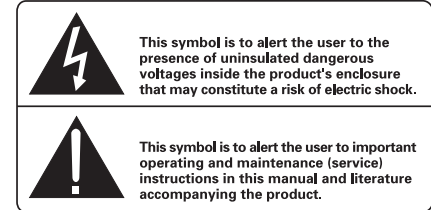
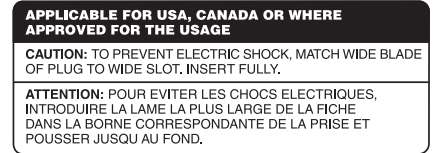
Use only accessories specified by the manufacturer.

Use only with a cart, stand, rack, bracket or shelf system recommended by Rotel. Use caution when moving the unit in a stand or rack to avoid injury from a tip-over.



Immediately stop using the component and have it inspected and/or serviced by a qualified service agency if:

- The power supply cord or plug has been damaged
- Objects have fallen or liquid has been spilled into the unit
- The unit has been exposed to rain
- The unit shows signs of improper operation
- The unit has been dropped or damaged in any way



Rotel products are designed to comply with international directives on the Restriction of Hazardous Substances (RoHS) in electrical and electronic equipment and the disposal of Waste Electrical and Electronic Equipment (WEEE). The crossed wheelie bin symbol indicates compliance and that the products must be appropriately recycled or processed in accordance with these directives.



Figure 1: Controls and Connections
Commandes et branchements
Bedienelemente und Anschlüsse
Controlos y Conexiones
De bedieningsorganen en de aansluitingen
Controlli e connessioni
Kontroller och anslutningar
Органы управления и разъемы

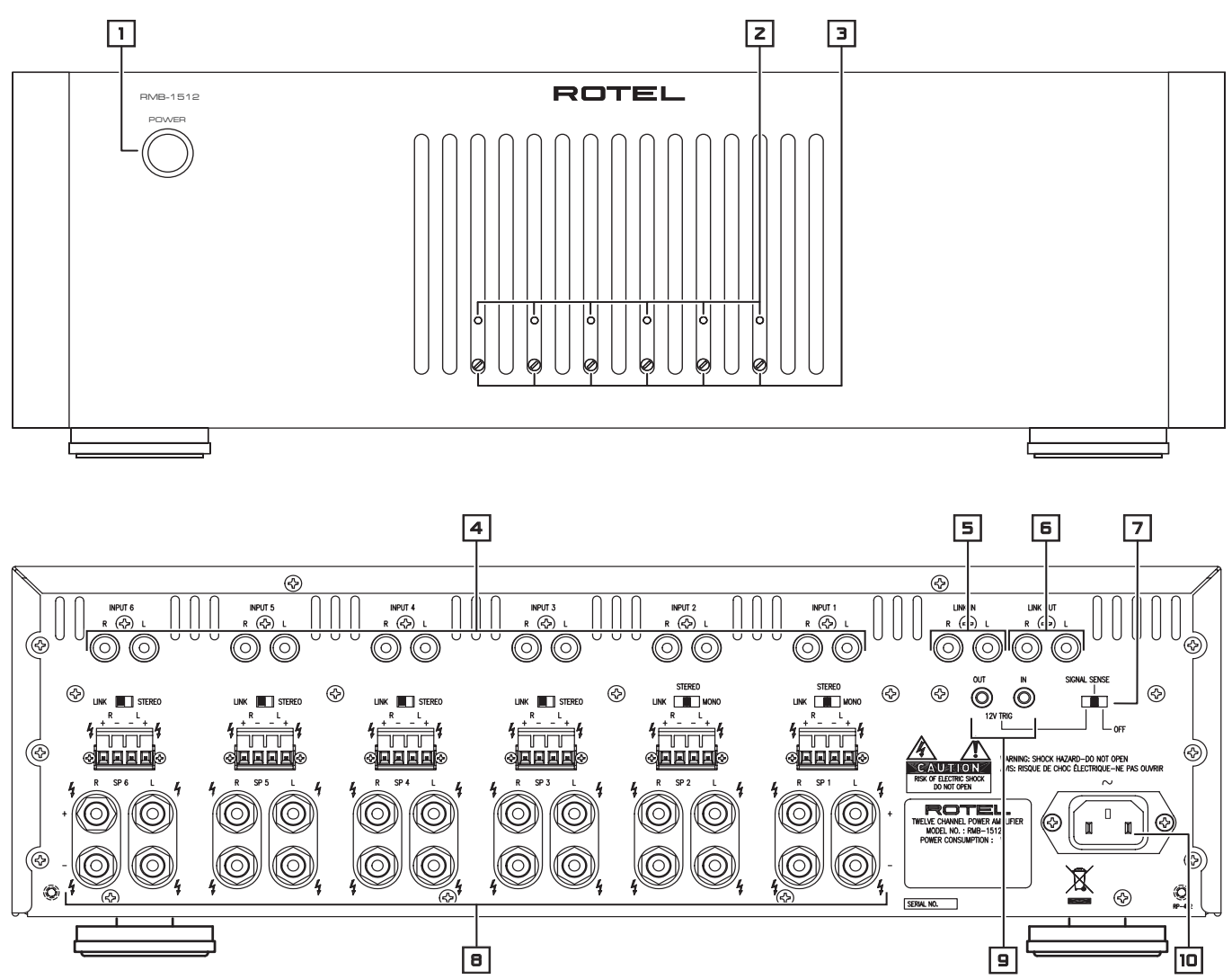
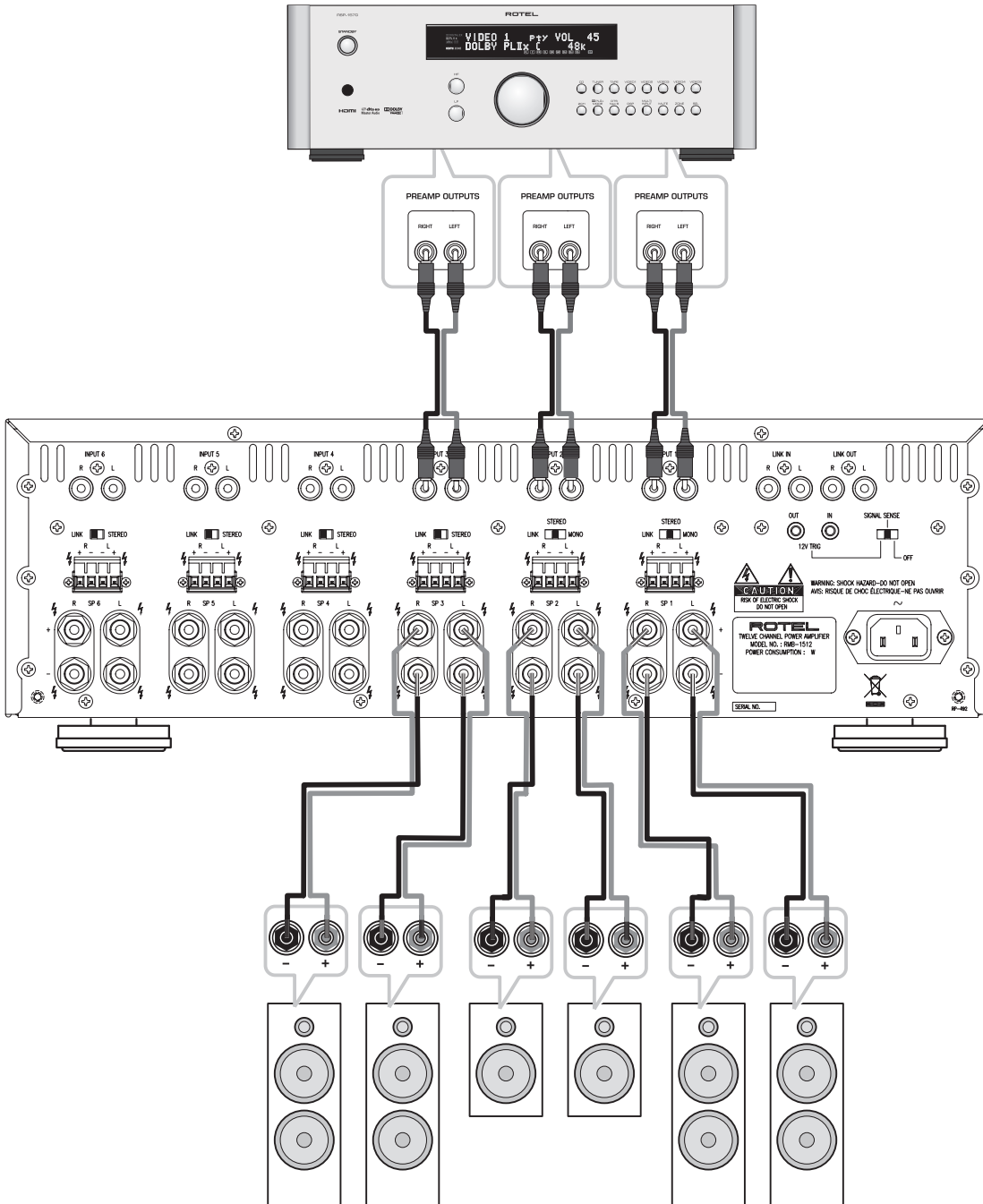


Figure 2: Hook-up Illustration
Branchements principaux
Anschlussdiagramm
Ilustración de las Conexiones
Het aansluitschema
Schema di collegamento
In- och utgångar
Подсоединение источников сигнала и акустических систем



Important Notes

When making connections be sure to:

- ✓ Turn off **all** the components in the system **before** hooking up **any** components, including loudspeakers.
- ✓ Turn off **all** components in the system **before** changing **any** of the connections to the system.

It is also recommended that you:

- ✓ Turn the volume control of the amplifier all the way down **before** the amplifier is turned **on or off**.

Remarques importantes

Pendant les branchements, assurez-vous que :

- ✓ **Tous** les maillons sont éteints **avant** leur branchement, **quels qu'ils soient**, y compris les enceintes acoustiques.
- ✓ Éteignez **tous** les maillons **avant** de modifier **quoi que ce soit** au niveau de leurs branchements, quels qu'ils soient.

Il est également recommandé de :

- ✓ Toujours baissez le niveau sonore via le contrôle de volume, **avant d'allumer ou d'éteindre** l'amplificateur.

Wichtige Hinweise

Achten Sie beim Herstellen der Verbindungen auf Folgendes:

- ✓ Schalten Sie **alle** Komponenten im System ab, **bevor** Sie Geräte (einschließlich Lautsprecher) anschließen.
- ✓ Schalten Sie **alle** Komponenten im System ab, **bevor** Sie Anschlüsse im System verändern.

Ferner empfehlen wir, dass

- ✓ Sie die Lautstärke herunterdrehen, **bevor** Sie den Verstärker **ein-** oder **abschalten**.

Notas Importantes

Cuando realice las conexiones, asegúrese de que:

- ✓ Desactiva **todos** los componentes del equipo, cajas acústicas incluidas, **antes** de conectar **cualquier nuevo componente** en el mismo.
- ✓ Desactiva **todos** los componentes del equipo **antes** de cambiar **cualquier conexión del mismo**.

También le recomendamos que:

- ✓ Reduzca el nivel de volumen de su amplificador a cero **antes** de **activarlo o desactivarlo**.

Héél belangrijk

Bij het maken van de verbindingen:

- ✓ Zorg dat niet alleen deze eindversterker, maar de **gehele** installatie uitstaat, als nog niet **alle** verbindingen gemaakt zijn.
- ✓ Zorg dat niet alleen deze eindversterker, maar de **gehele** installatie ook uitstaat, **als** u verbindingen gaat **wijzigen**.

Wij raden u ook aan om:

- ✓ de volumeregelaar van de voorversterker geheel dicht te draaien (volkomen linksom) **wanneer** u uw eindversterker **aan- of uitzet**.

Note importanti

Quando effettuate i collegamenti assicuratevi di:

- ✓ Spegnerne **tutti** i componenti del sistema **prima** di collegare **qualsiasi** componente, inclusi i diffusori.
- ✓ Spegnerne **tutti** i componenti del sistema **prima** di modificare **qualsiasi** connessione nel sistema.

Vi raccomandiamo inoltre di:

- ✓ Portare il volume a zero **prima** di **accendere o spegnere** l'amplificatore.

Viktigt

Tänk på följande när du gör anslutningar:

- ✓ Stäng av **alla** apparater i anläggningen **innan** du ansluter nya komponenter eller högtalare.
- ✓ Stäng av **alla** apparater i anläggningen **innan** du ändrar någon anslutning.

Vi rekommenderar också att du:

- ✓ Vrider ner volymen helt och hållet **innan** förstärkaren slås **på eller av**.

Важные замечания

Перед подсоединением:

- ✓ Выключите **все** компоненты, включая колонки.
- ✓ Выключите **все** компоненты в вашей системе, прежде чем что-то в ней **менять**.

Рекомендуется также:

- ✓ Вывести громкость усилителя на **минимум**, перед тем как **включать или выключать** его.

Contents

Important Safety Instructions	2
Figure 1: Controls and Connections	3
Figure 2: Hook-up Illustration	4
Important Notes	5
About Rotel	6
Getting Started	7
Features	7
A Few Precautions	7
Placement	7
AC Power and Control	7
AC Power Input 10	7
Power Switch and Indicator Light 1	7
Auto Turn On/Off Mode Selector 7	7
12V Trigger Input 9	8
12V Trigger Output 9	8
Protection Indicators 2	8
Signal Connections	8
RCA Inputs 4	8
Mono Switch 4	8
Linking The Inputs 5	8
Input Level Controls 3	8
Signal Output Link 6	8
Speakers	9
Speaker Selection	9
Speaker Wire Selection	9
Polarity and Phasing	9
Speaker Wire Connections 8	9
Binding Post Connections 8	9
Plug-in Connection 8	9
Troubleshooting	10
Standby Power Indicator Is Not Lit	10
No Sound	10
Protection Indicator Is Lit	10
Specifications	10

About Rotel

Our story began nearly 50 years ago. Over the decades, we have received hundreds of awards for our products and satisfied hundreds of thousands of people who take their entertainment seriously- like you!

Rotel was founded by a family whose passionate interest in music led them to manufacture high-fidelity components of uncompromising quality. Through the years, that passion has remained undiminished and the family goal of providing exceptional value for audiophiles and music lovers, regardless of their budget, is shared by all Rotel employees.

Rotel's engineers work as a close team, listening to, and fine tuning, each new product until it reaches their exacting musical standards. They are free to choose components from around the world in order to make that product the best they can. You are likely to find capacitors from the United Kingdom and Germany, semiconductors from Japan or the United States, while toroidal power transformers are manufactured in Rotel's own factory.

We all have concerns about our environment. And, as more and more electronics are produced and later discarded, it is especially important

for a manufacturer to do all it can to engineer products that have a minimum negative impact on landfill sites and water tables.

At Rotel, we are proud to do our part. We have reduced the lead content in our electronics by using special ROHS solder, while our new Class D (not digital) amplifiers are up to five times more efficient than our legacy designs and still deliver power and performance. These products run cool, give minimum wasted energy, are good for the environment and give better sound too.

Finally, we have printed this brochure on recycled paper stock.

While we understand that these are small first steps, they are still important ones. And we continue to pursue new methods and materials for a cleaner and greener manufacturing process.

All of us at Rotel thank you for buying this product. We are sure it will bring you many years of enjoyment.

A Word About Watts

The RMB-1512 power output is quoted as 100 watts for each channel, when all twelve channels are operating together at full power.

Rotel has chosen to specify the power output in this way because, in Rotel's experience, it gives the truest value of the receiver or amplifier's power capability.

When comparing specifications for different products, you should be aware that power output is often specified in other ways, so you may not be comparing like with like.

For example, the power output may be quoted with only one channel operating, giving a higher maximum figure. The highly regulated power supplies of the Rotel Classe D amplifiers ensures that they will produce the full specified power output to one or all channels.

A loudspeaker's impedance rating indicates the electrical resistance or load it offers when connected to the amplifier, usually 8 ohms or 4 ohms. The lower the impedance, the more power the speaker will need. In effect, a 4 ohm speaker will require twice as much power as an 8 ohm speaker.

So ideally, the amplifier should be give double the power into a 4 ohm load – a rating of 100 watts into an 8 ohm load should become 200 watts into 4 ohms. Using lower impedance speakers makes greater demands on the amplifier's power supply, because it will be drawing more current and giving off more heat.

However, Rotel amplifiers are designed to work into any speaker impedance between 8 and 4 ohms, and with all the channels working up to their full power. Because the Rotel design is optimized for use with all channels operating together, Rotel is able to specify the true power output for all channels.

This can be important for your enjoyment, too. When watching movies, it's nice to have the amplifier able to reproduce full power into all the channels at the same time, especially in the case of a volcano exploding!

Getting Started

Thank you for purchasing the Rotel RMB-1512 Twelve Channel Power Amplifier. When used in a high-quality music or home theater system, your Rotel amplifier will provide years of musical enjoyment.

The RMB-1512 is a high-power, twelve-channel power amplifier, providing the highest level of audio performance. A massive power supply, premium components, and Rotel's Balanced Design ensure superb sound quality. High current capability allows the RMB-1512 to drive the most demanding loudspeakers.

Features

- Twelve-channel power amplifier, with 100 watts per channel output into 8ohm
- Front panel input level control
- User-selectable power on/off configuration: manual, automatic signal sensing, or controlled by remote 12 volt trigger signal.
- Protection circuitry against fault conditions with front panel indicators.
- Input linking, input mono switch and signal output link connectors for maximum system configuration flexibility.

A Few Precautions

Please read this manual carefully. In addition to basic installation and operating instructions, it provides valuable information on various RMB-1512 system configurations as well as general information that will help you get optimum performance from your system. Please contact your authorized Rotel dealer for answers to any questions you might have. In addition, all of us at Rotel welcome your questions and comments

Save the RMB-1512 shipping carton and all enclosed packing material for future use. Shipping or moving the RMB-1512 in anything other than the original packing material may result in severe damage to your amplifier.

Fill out and send in the owner's registration card packed with the RMB-1512. Also be sure to keep the original sales receipt. It is your best record of the date of purchase, which you will need in the event warranty service is ever required.

Placement

Place the RMB-1512 on a solid, level surface away from sunlight, heat, moisture, or vibration.

Don't stack other components or objects on top of the RMB-1512. Don't let any liquid fall into the unit.

Likewise, remember the weight of the amplifier when you select an installation location. Make sure that the shelf or cabinet can support its considerable bulk.

The RMB-1512 generates heat during normal operation. Do not block ventilation openings. Allow a minimum of 10 cm or 4 inches of

unobstructed space around the unit. If installed in a cabinet, make sure that there is adequate ventilation.

AC Power and Control

AC Power Input

Your RMB-1512 is configured at the factory for the proper AC line voltage in the country where you purchased it (USA: 120 volts/60 Hz, Europe: 230 volts/50 Hz). The AC line configuration is noted on a label on the back panel. The RMB-1512 must be connected to a polarized 3-pin wall outlet.

The RMB-1512 is supplied with the proper AC power cord. Use only this cord or an exact equivalent. Do not modify the supplied cord. Do not use an extension cord.

Be sure the power switch on the front panel of the RMB-1512 is turned off. Then, plug one end of the cord into the AC power connector on the back panel of the amplifier. Plug the other end into an appropriate AC outlet.

If you are going to be away from home for an extended period of time, it is a sensible precaution to unplug your amplifier.

Power Switch and Indicator Light

The power switch is located on the left side of the front panel. To turn the amplifier on (or to activate either of the optional automatic power-on modes), push the switch in.

The indicator light around the switch will light, indicating that the amplifier is turned on. To turn the amplifier off, push the button again and return it to the out position.

Auto Turn On/Off Mode Selector

The RMB-1512 provides three different options for manual or automatic power on/off operation. These modes are selectable using a three-position slide switch on the back panel as follows:

- **With the switch in the OFF position**, the amplifier is turned on or off manually using the front panel power switch. Also use this mode if you are using a switched AC outlet to control power to the amplifier.
- **With the switch in the SIGNAL SENSE POSITION**, the amplifier turns on automatically when a signal is detected at the inputs. The amplifier will go into standby mode several minutes after no signal is no longer present. The front panel power switch overrides this function. It must be ON for the signal sensing to work. Turning the switch OFF cuts power to the amplifier, regardless of whether or not a signal is present.
- **With the switch in the 12V TRIG position**, the amplifier is turned on automatically when a 12 volt trigger signal is present at the 12V TRIG input to the left of the switch. The amplifier goes into standby mode if the +12 volt signal is not present. The front panel POWER SWITCH overrides this function. It must be ON for the +12V trigger to work. Turning the switch OFF cuts power to the amplifier, regardless of whether or not a trigger signal is present.

12V Trigger Input

An input jack for connecting the wires carrying a +12 volt trigger signal from a Rotel preamp or surround sound processor to turn the amplifier on and off. To use this feature the adjacent slide switch must be placed to the left position (see previous section).

The TRIGGER INPUT accepts any control signal (AC or DC) ranging from 3 volts to 30 volts. Use a cable with mono 3.5 mm mini-plugs on both ends. The +12V DC signal appears at the "tip" connector.

12V Trigger Output

The 12V TRIG jack labeled OUT is used to pass the remote turn-on signal to a second Rotel amplifier. Any 12V Trigger signal at the INPUT jack will be passed through to the OUT jack.

Protection Indicators

A thermal protection circuit protects the amplifier against potential damage in the event of extreme or faulty operating conditions. Unlike many designs, the RMB-1512's protection circuit is independent of the audio signal and has no impact on sonic performance. Instead, the protection circuit monitors the temperature of the output devices and shuts down the amplifier if temperatures exceed safe limits.

In addition, the RMB-1512 includes overcurrent protection which operates only when load impedance drops too low.

Should a faulty condition arise, the amplifier will stop playing and one or more of the PROTECTION LEDS on the front panel will light. If this happens, turn the amplifier off, let it cool down for several minutes, and attempt to identify and correct the problem. There are independent PROTECTION LEDS for each pair of channels which may help in troubleshooting the cause of the problem. When you turn the amplifier back on, the protection circuit will automatically reset and the PROTECTION LEDS should go out.

In most cases, the protection circuitry activates because of a fault condition such as shorted speaker wires, or inadequate ventilation causing an overheating condition. In very rare cases, highly reactive or extremely low impedance speaker loads could cause the protection circuit to engage.

Note: The protection LED also light when the 12V Trigger system is being used and the amplifier is in Standby mode.

Signal Connections

The RMB-1512 provides standard conventional input connections — unbalanced RCA type connections as found on nearly all audio equipment.

In addition to the six groups of stereo inputs labeled INPUT 1 to INPUT 6, there is a pair of inputs labeled LINK IN. There is also a pair of SIGNAL OUTPUT LINK connections for passing the input signal connected to the LINK IN pair of inputs on to another audio component.

Additionally, the input signal to the LINK IN connectors can be automatically linked to the inputs for any of the channel INPUTS 1-6, so that a separate input signal cable is not required for those channels,

for example in large systems where the RMB-1512 is being used to drive multiple pairs of speakers.

RCA Inputs

See figure 2

are two RCA inputs for each of the six pair of amplifier channels. These RCA inputs accept audio signals from preamplifiers or surround sound processors. Use high quality audio interconnect cables for best performance.

For each pair of amplifier channels, connect the left channel output of your preamp to the LEFT INPUT on the RMB-1512. Connect the right channel of your preamp to the RIGHT INPUT. Make sure that the input slide switch to the right of the RCA inputs is in the STEREO position.

Linking the Inputs

You can link the inputs for any of the group 1–6 inputs by moving the input slide switch below each pair of RCA inputs to the LINK position. When linked, no input connection is required for that group. The input signal from the LINK IN connections is sent to the linked pair of channels, allowing you to use up to twelve amplifier channels with the same stereo input signals.

Mono Switch

For the groups INPUT 1 and INPUT 2, when the input slide switch is moved to the MONO position, the left and/or right channel input is provided to both speakers as a mono signal.

Input Level Controls

Six controls on the front panel, one for each pair of channels, provide input level adjustments. These allow you to adjust the gain of the amplifier to match other components in the system. The INPUT 1 level control changes the gain of the INPUT 1 channels; the INPUT 2 level control changes the INPUT 2 channels and so on. To adjust these controls, use a small, flatblade screwdriver. Turn the control clockwise to increase gain. Turn counterclockwise to reduce gain.

Signal Output Link

This pair of RCA connections can be used to pass unprocessed input signals to another audio component, for example to "daisy-chain" an additional amplifier to drive an additional set of speakers. The input signals connected to the LINK IN connectors is available at these LINK OUT outputs. This is typically used when the amplifier is part of a multi-room system.

Note: The input signals from the LINK IN inputs can also be linked to any of the INPUT 1-6 inputs by moving the INPUT SELECT switch associated with that pair of channels to the LINK position.

Speakers

See Figure 2

The RMB-1512 has six groups of speaker connectors, one for each pair of amplifier channels. The twelve channels may be used in many different configurations. The Hook-up Illustration, Figure 2, shows just one example, with the connections for a typical six-speaker system. Here, the remaining six channels are still available to power up to six further speakers as required, whether these are additions to the main system or independent of it.

Speaker Selection

The nominal impedance of the loudspeaker(s) connected to the RMB-1512 should be a minimum of 4 ohms. When driving multiple pairs of speakers connected in parallel, the effective impedance the amplifier sees is cut in half. For example, when driving two pair of 8 ohm speakers, the amplifier sees a 4 ohm load. When driving multiple speakers in parallel, select speakers with a nominal impedance of 8 ohms or higher.

Speaker Wire Selection

Use insulated two-conductor stranded wire to connect the RMB-1512 to the speakers. The size and quality of the wire can have an audible effect on the performance of the system. Standard speaker wire will work, but can result in lower output or diminished bass response, particularly over longer distances. In general, heavier wire will improve the sound. For best performance, you may want to consider special high-quality speaker cables. Your authorized Rotel dealer can help in the selection of cables for your system.

Polarity and Phasing

The polarity or positive/negative orientation of the connections for every speaker and amplifier connection must be consistent so all the speakers will be in phase. If the polarity of one connection is mistakenly reversed, bass output will be very weak and stereo imaging degraded. All wire is marked so you can identify the two conductors. There may be ribs or a stripe on the insulation of one conductor. The wire may have clear insulation with different color conductors (copper and silver). There may be polarity indications printed on the insulation. Identify the positive and negative conductors and be consistent with every speaker and amplifier connection.

Speaker Wire Connection

See Figure 2

Route the wires from the RMB-1512 to the speakers. Give yourself enough slack so you can move the components to allow access to the speaker connectors.

The RMB-1512 has two pair of color-coded speaker connectors for each group of amplifier channels, one for the left speaker, the other for the right speaker. Labels above the connectors show the proper connections for connecting speakers. These speaker connectors accept bare wire, connector lugs, or "banana" type connectors (except in the European Community countries where their use is not permitted).

The RMB-1512 also has a plug-in speaker connector that can make connection easier in custom installations. You can pre-wire the plug-in connector before the amplifier is installed. The plug-in connector is wired in parallel with the binding post outputs.

Note: The following text describes both binding post and plug-in connections. DO NOT use both connection methods in combination to connect multiple speakers.

Binding Post connection

If you are using banana plugs, connect them to the wires and then plug into the backs of the binding posts. The collars of the speaker connectors should be screwed in all the way (clockwise).

If you are using terminal lugs, connect them to the wires. If you are attaching bare wires directly to the speaker connectors, separate the wire conductors and strip back the insulation from the end of each

conductor. Be careful not to cut into the wire strands. Unscrew (turn counterclockwise) the speaker connector collar. Place the connector lug around the shaft, or insert the bundled wire into the hole in the shaft. Turn the collars clockwise to clamp the connector lug or wire firmly in place.

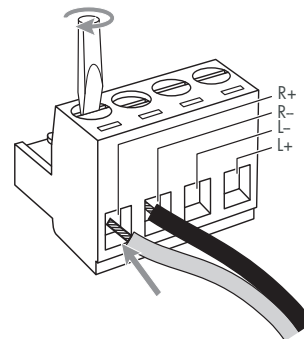
For each group of channels, connect the left speaker to the pair of speaker connectors labeled LEFT. Connect the right speaker to the speaker connectors labeled RIGHT. Follow the labels printed above the connectors. Make sure that the positive terminal of the speaker is connected to the + terminal on the amplifier. Make sure that the negative terminal of the speaker is connected to the terminal of the amplifier.

Note: Be sure there are no loose wire strands that could touch adjacent wires or connectors

Plug connection

Connect your speaker wires as shown in the illustration. Insert the wire into the open and turn the screw to clamp the wire in place.

Be sure to keep the polarity of the connections correct.



Troubleshooting

Most difficulties in audio systems are the result of poor or wrong connections, or improper control settings. If you encounter problems, isolate the area of the difficulty, check the control settings, determine the cause of the fault and make the necessary changes. If you are unable to get sound from the RMB-1512, refer to the suggestions for the following conditions:

Standby Power Indicator Is Not Lit

No main power to the RMB-1512. Check AC power connections at the amplifier and the AC outlet. Check the front panel power switch. Make sure that it is set to the ON position. If using signal sensing auto power-on, make sure that a signal is present at the inputs. If using 12V trigger power-on, make sure that a trigger signal is present at rear panel 12V TRIG IN connector.

No Sound

If the amp is getting AC power, but is producing no sound, check the PROTECTION INDICATORS on the front panel. If lit, see below. If not, check all of your connections and control settings on associated components.

Protection Indicator Is Lit

The front panel PROTECTION INDICATORS light when the RMB-1512 protection circuits have shut off the amplifier. Typically, this occurs only when the ventilation openings are blocked, when there is faulty speaker wiring, or after a period of extreme use. Turn off the system and wait for the amp to cool. Then push the front panel power switch in and out to reset the protection devices. If the problem is not corrected or reoccurs, there is a problem with the system or the amplifier itself.

Specifications

Continuous Power Output <i>(20-20k Hz, <0.03% THD, 8 ohms)</i>	100 watts/channel
Total Harmonic Distortion <i>(20Hz -- 22Hz, 8 ohms)</i>	< 0.03%
Intermodulation Distortion <i>(60Hz:7kHz, 4:1)</i>	< 0.03%
Damping Factor <i>(20Hz-20kHz, 8ohms)</i>	200
Input Impedance/Sensitivity	8.3 kohms/1.25 volts
Amplifier Gain	27.2db
Frequency Response <i>(±1db)</i>	10Hz - 40Khz
S/N Ratio <i>(IHF A)</i>	105 db
Crosstalk / Separation	> 70 db
Speaker Impedance	4 ohms minimum
Auto Turn On level <i>(with all inputs)</i>	5mV input signal
Power Requirements	USA: 120 volts, 60Hz Europe: 230 volts, 50Hz
Power Consumption	660 watts Idle: 84 watts Standby: 10.8 watts
Dimensions <i>(W x H x D)</i>	431 x 144 x 449 mm 17 x 5.7 x 17.8 in
Weight <i>(net)</i>	10.9 kgs, 23.98 lbs
Panel Height	3U, 132,6 mm / 5.2 in

All specifications are accurate at the time of printing.
Rotel reserves the right to make improvements without notice.

Remarques importantes concernant la sécurité

ATTENTION : Il n'y a à l'intérieur aucune pièce susceptible d'être modifiée par l'utilisateur. Adressez-vous impérativement à une personne qualifiée.

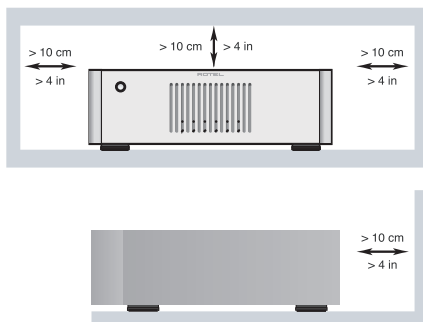
ATTENTION : Pour réduire tout risque d'électrisation ou d'incendie, ne pas exposer l'appareil à une source humide, ou à tout type de risque d'éclaboussure ou de renversement de liquide. Ne pas poser dessus d'objet contenant un liquide, comme un verre, un vase, etc. Prenez garde à ce qu'aucun objet ou liquide ne tombe à l'intérieur de l'appareil par ses orifices de ventilation. Si l'appareil est exposé à l'humidité ou si un objet tombe à l'intérieur, débranchez-le immédiatement de son alimentation secteur, et adressez-vous immédiatement et uniquement à une personne qualifiée et agréée.

Tous les conseils de sécurité et d'installation doivent être lus avant de faire fonctionner l'appareil. Conservez soigneusement ce livret pour le consulter à nouveau pour de futures références.

Tous les conseils de sécurité doivent être soigneusement respectés. Suivez les instructions. Respectez les procédures d'installation et de fonctionnement indiquées dans ce manuel.

L'appareil doit être nettoyé uniquement avec un chiffon sec ou un aspirateur.

L'appareil doit être placé de telle manière que sa propre ventilation puisse fonctionner, c'est-à-dire avec un espace libre d'une dizaine de centimètres minimum autour de lui.



Il ne doit pas être posé sur un fauteuil, un canapé, une couverture ou toute autre surface susceptible de boucher ses ouïes d'aération ; ou placé dans un meuble empêchant la bonne circulation d'air autour des orifices d'aération.

Cet appareil doit être placé loin de toute source de chaleur, tels que radiateurs, chaudières, bouches de chaleur ou d'autres appareils (y compris amplificateurs de puissance) produisant de la chaleur.

ATTENTION : La prise secteur en face arrière constitue le moyen principal pour connecter/déconnecter l'appareil de son alimentation secteur. L'appareil doit donc être installé de telle manière que ce câble d'alimentation soit accessible en permanence.

Cet appareil doit être branché sur une prise d'alimentation secteur, d'une tension et d'un type conformes à ceux qui sont indiqués sur la face arrière de l'appareil (USA : 120 V/60 Hz, CE : 230 V/50 Hz)

Brancher l'appareil uniquement grâce au cordon secteur fourni, ou à un modèle équivalent. Ne pas tenter de modifier ou changer la prise. Notamment, ne pas tenter de supprimer la prise de terre (troisième broche de la prise) si celle-ci est présente. Si la prise n'est pas conforme à celles utilisées dans votre installation électrique, consultez un électricien agréé. Ne pas utiliser de cordon rallonge.

La prise d'alimentation secteur constitue le moyen radical de déconnexion de l'appareil. Elle doit donc rester en permanence accessible, car sa déconnexion constitue la seule assurance que l'appareil n'est plus alimenté par le secteur. La diode LED de mise en veille Standby ne s'allume plus lorsque ce cordon d'alimentation est débranché.

Prendre garde à ce que ce cordon d'alimentation ne soit pas pincé, écrasé ou détérioré sur tout son trajet, et à ce qu'il ne soit pas mis en contact avec une source de chaleur. Vérifiez soigneusement la bonne qualité des contacts, à l'arrière de l'appareil comme dans la prise murale.

Prendre garde à ce que ce cordon d'alimentation ne soit pas pincé, écrasé ou détérioré sur tout son trajet, et à ce qu'il ne soit pas mis en contact avec une source de chaleur. Vérifiez soigneusement la bonne qualité des contacts, à l'arrière de l'appareil comme dans la prise murale.

Débranchez le câble d'alimentation en cas d'orage, ou si l'appareil ne doit pas être utilisé pendant une longue période.

Cet appareil doit être branché exclusivement sur une prise d'alimentation munie d'une prise de terre spécifique.

N'utilisez que des accessoires préconisés par le constructeur.

N'utilisez que des meubles, supports, systèmes de transport recommandés par Rotel. Procédez toujours avec la plus extrême précaution lorsque vous déplacez l'appareil, afin d'éviter tout risque de blessure.



L'appareil doit être immédiatement éteint, débranché puis retourné au service après-vente agréé dans les cas suivants :

- Le câble d'alimentation secteur ou sa prise est endommagé.
- Un objet est tombé, ou du liquide a coulé à l'intérieur de l'appareil.
- L'appareil a été exposé à la pluie.
- L'appareil ne fonctionne manifestement pas normalement.
- L'appareil est tombé, ou le coffret est endommagé.

ATTENTION :

RISQUE D'ÉLECTROCUTION. NE PAS OUVRIR

ATTENTION : POUR RÉDUIRE LE RISQUE D'ÉLECTROCUTION, NE PAS RETIRER LE CAPOT. IL N'Y A À L'INTÉRIEUR AUCUNE PIÈCE SUSCEPTIBLE D'ÊTRE MODIFIÉE PAR L'UTILISATEUR. EN CAS DE PROBLÈME, ADRESSEZ-VOUS À UN RÉPARATEUR AGRÉÉ.

APPLICABLE FOR USA, CANADA OR WHERE APPROVED FOR THE USAGE

CAUTION: TO PREVENT ELECTRIC SHOCK, MATCH WIDE BLADE OF PLUG TO WIDE SLOT. INSERT FULLY.

ATTENTION: POUR ÉVITER LES CHOCS ÉLECTRIQUES, INTRODUIRE LA LAME LA PLUS LARGE DE LA FICHE DANS LA BORNE CORRESPONDANTE DE LA PRISE ET POUSSER JUSQU'AU FOND.

L'éclair dans un triangle équilatéral indique la présence interne de tensions électriques élevées susceptibles de présenter des risques graves d'électrocution.

Le point d'exclamation dans un triangle équilatéral indique à l'utilisateur la présence de conseils et d'informations importantes dans le manuel d'utilisation accompagnant l'appareil. Leur lecture est impérative.

Tous les appareils Rotel sont conçus en totale conformité avec les directives internationales concernant les restrictions d'utilisation de substances dangereuses (RoHS) pour l'environnement, dans les équipements électriques et électroniques, ainsi que pour le recyclage des matériaux utilisés (WEEE, pour Waste Electrical and Electronic Equipment).



Le symbole du conteneur à ordures barré par une croix indique la compatibilité avec ces directives, et le fait que les appareils peuvent être correctement recyclés ou traités dans le respect total de ces normes.



Sommaire

Figure 1 : Commandes et branchements	3
Figure 2 : Branchements principaux	4
Remarques importantes	5
Remarques importantes concernant la sécurité	11
Au sujet de Rotel	12
Un mot au sujet de la notion de watts	12
Pour démarrer	13
Caractéristiques principales	13
Quelques précautions	13
Installation	13
Alimentation secteur et fonctionnement	13
Prise d'alimentation secteur	13
Interrupteur de mise sous tension et indicateur LED	13
Sélecteur de mode de mise sous tension ON/OFF	13
Entrée Trigger 12 volts	14
Sortie Trigger 12 volts	14
Indicateurs de protection	14
Branchements des signaux en entrée	14
Entrées RCA	14
Chainage des entrées	15
Sélecteur Mono	15
Réglages du niveau d'entrée	15
Chainage du signal de sortie	15
Enceintes acoustiques	15
Sélection des enceintes	15
Choix des câbles d'enceintes	15
Polarité et mise en phase	15
Branchement des câbles d'enceintes	15
Prises de branchement	15
Prises « plug-in »	16
Problèmes de fonctionnement	16
L'indicateur Power de mise sous tension ne s'allume pas	16
Pas de son	16
Diode(s) de protection allumée(s)	16
Spécifications	16

Au sujet de Rotel

Notre histoire commence il y a près de 50 ans. Depuis, au fil des années, nous avons reçu des centaines de prix et de récompenses, et satisfait des centaines de milliers de personnes – comme vous !

Rotel a été fondée par une famille passionnée de musique, qui a décidé de fabriquer des maillons Haute Fidélité sans compromis aucun. Depuis sa création, cette passion est restée intacte, et cette famille s'est fixée comme objectif de proposer à tous les audiophiles et mélomanes les meilleurs appareils possibles, quel que soit leur budget. Une volonté partagée par tous les employés de Rotel.

Les ingénieurs Rotel travaillent selon une équipe très soudée, écoutant, peaufinant chaque nouveau modèle jusqu'à ce qu'il atteigne exactement leurs standards – très élevés – de musicalité. Ils sont libres de choisir des composants en provenance du monde entier, afin de concevoir le produit le meilleur possible. C'est ainsi que vous trouverez dans nos appareils des condensateurs d'origine britannique ou allemande, des transistors japonais ou américains, tandis que les transformateurs toriques sont toujours fabriqués dans nos propres usines Rotel.

Nous sommes tous concernés par la qualité de l'environnement. Et, comme de plus en plus de produits électroniques sont fabriqués puis éliminés quelques années plus tard, il est désormais essentiel qu'un constructeur fabrique tous ses produits en veillant à ce qu'ils aient un impact minimum sur la terre et les nappes phréatiques.

Chez Rotel, nous sommes très fiers d'apporter notre pierre à ce nouvel édifice. Nous avons réduit la teneur en plomb de nos électroniques, en utilisant notamment une soudure spéciale ROHS, tandis que notre nouvelle gamme d'amplificateurs fonctionnant en classe D (non numérique) présente un rendement cinq fois supérieur aux générations conventionnelles précédentes, délivrant pourtant encore plus de puissance, avec une qualité encore supérieure. Ces appareils ne chauffent pas, dépensent beaucoup moins d'énergie, sont donc très bons pour l'environnement tout en étant encore plus musicaux.

En plus, nous imprimons tous nos catalogues et manuels sur papier recyclé.

Ce ne sont certes que de petites étapes. Mais ne sont-ce pas justement les plus importantes ? Nous continuons activement la recherche et la mise au point de nouvelles méthodes, et l'utilisation de nouveaux matériaux pour aboutir à un processus de fabrication général plus écologique et plus propre.

Tous les membres de l'équipe Rotel vous remercient pour l'achat de cet appareil. Nous sommes persuadés qu'il vous offrira de nombreuses années d'intense plaisir musical.

Un mot au sujet de la notion de watts

Le RMB-1512 fournit une puissance de 100 watts par canal, avec ses douze canaux en service et à pleine puissance.

Rotel a choisi d'indiquer la puissance de sortie de cette manière parce que l'expérience de Rotel prouve que c'est la seule valeur de puissance réellement valable pour un amplificateur ou un ampli-tuner.

Lorsque l'on compare les spécifications de différents appareils, il convient de se méfier car la puissance est souvent indiquée sous d'autres conditions de fonctionnement, les résultats étant alors en fait incomparables.

Par exemple, la puissance de sortie peut être indiquée avec seulement un canal réellement en service, ce qui donne évidemment un résultat plus élevé. Les alimentations parfaitement régulées des amplificateurs Rotel fonctionnant en classe D garantissent la tenue de leurs spécifications que l'on utilise un ou tous leurs canaux simultanément, à pleine puissance.

L'impédance d'une enceinte acoustique indique la résistance électrique ou charge qu'elle représente, lorsque branchée sur un amplificateur, généralement 8 ohms ou 4 ohms. Plus l'impédance est faible, plus l'enceinte a besoin de puissance. En effet, une enceinte de 4 ohms nécessite près de deux fois la puissance d'une enceinte de 8 ohms.

Ainsi, idéalement, un amplificateur doit être capable de doubler sa puissance de sortie sur charge de 4 ohms – et une valeur de 100 watts sur charge de 8 ohms doit se transformer en une valeur de 200 watts sur 4 ohms. L'utilisation d'enceintes acoustiques de

faible impédance demande à l'amplificateur une alimentation de meilleure qualité, car elle doit pouvoir fournir plus de courants tout en dégageant plus de chaleur.

Cependant, les amplificateurs Rotel sont conçus pour fonctionner avec des enceintes acoustiques de n'importe quelle impédance comprise entre 4 et 8 ohms, tous les canaux fonctionnant simultanément au maximum de leur puissance. Parce que la conception des circuits Rotel est optimisée pour le fonctionnement simultané de tous les canaux, Rotel peut se permettre de spécifier la puissance efficace maximum réelle disponible simultanément sur les deux canaux.

Ceci est également primordial pour votre plaisir d'écoute. Lorsque vous regardez un film, il est rassurant de savoir que l'on possède un amplificateur capable de reproduire parfaitement tous les canaux ensemble, notamment sur une explosion volcanique !

Pour démarrer

Nous vous remercions d'avoir acheté cet amplificateur de puissance 12 canaux Rotel RMB-1512. Il a été spécialement conçu pour contribuer à des heures et des heures de plaisir musical, que vous l'utilisiez dans une chaîne haute fidélité ou au sein d'un système Home Cinema.

Le RMB-1512 est un amplificateur de puissance douze canaux particulièrement sophistiqué, fournissant le plus haut niveau de performances possible. Une alimentation surdimensionnée, des composants de très haute qualité, et notre philosophie « Balanced Design » vous garantissent une qualité sonore parfaite. Les capacités en courant très élevées du RMB-1512 lui permettent d'alimenter sans aucune difficulté les enceintes présentant les charges les plus complexes.

Caractéristiques principales

- Douze canaux d'amplification, avec 100 watts de puissance par canal sur 8 ohms.
- Commande du niveau d'entrée en face avant
- Configuration de mise sous tension « on/off » sélectionnée par l'utilisateur : manuelle, par détection de signal à l'entrée ou contrôlée par l'envoi d'une tension de commutation « trigger » 12 volts.
- Circuit de protection totale, avec indicateurs en face avant.
- Possibilité de chaînage des entrées, de mise en monophonie et chaînage des sorties permettent d'envisager toutes les configurations possibles.

Quelques précautions

Veillez lire ce manuel d'utilisation très soigneusement. Il vous donne toutes les informations nécessaires aux branchements et fonctionnement de l'amplificateur. Si vous vous posez encore des questions, n'hésitez pas à contacter immédiatement votre revendeur agréé Rotel.

Conservez soigneusement l'emballage de l'amplificateur. Il constitue le meilleur et le plus sûr moyen pour le transport futur de votre RMB-1512. Tout autre emballage pourrait en effet entraîner des détériorations irréversibles à l'appareil.

Conservez la facture de votre appareil fournie avec le RMB-1512 : c'est la meilleure preuve de votre propriété et de la date réelle d'achat. Elle vous sera utile en cas de nécessité de retour au service après-vente.

Installation

Posez le RMB-1512 sur une surface solide, rigide et plane, loin de tout rayon direct du soleil, de la chaleur, de l'humidité ou de vibrations.

N'empilez pas d'autres maillons ou objets sur le RMB-1512. Ne laissez pas un quelconque liquide s'introduire à l'intérieur.

Ne négligez non plus jamais le poids de l'amplificateur au moment du choix de son installation. Vérifiez la solidité de l'étagère ou du meuble chargés de le recevoir.

Le RMB-1512 génère de la chaleur pendant son fonctionnement normal. Ne bloquez pas ses ouïes de refroidissement. Laissez un espace d'au moins 10 cm tout autour de lui. S'il est encastré dans un meuble, vérifiez qu'il bénéficie bien d'une ventilation suffisante.

Alimentation secteur et fonctionnement

Prise d'alimentation secteur

Votre RMB-1512 est configuré en usine pour s'adapter à l'installation électrique en vigueur dans votre pays d'utilisation (USA : 120 volts/60 Hz ; Europe : 230 volts/50 Hz). Cette configuration est indiquée sur une étiquette, visible sur la face arrière de l'appareil. Le RMB-1512 doit être branché sur une prise 3 broches.

Le RMB-1512 est livré avec son propre câble d'alimentation secteur. N'utilisez que ce câble, ou sont équivalent exactement semblable. Ne tentez pas de modifier ce câble. N'utilisez pas de câble rallonge.

Assurez-vous que l'interrupteur général en face arrière est bien sur sa position éteinte « off ». Branchez le cordon secteur dans la prise repérée AC INPUT, à l'arrière de l'appareil. Branchez l'autre extrémité de ce cordon dans la prise secteur murale.

Si vous vous absentez pendant une longue période, nous vous conseillons de débrancher la prise murale d'alimentation.

Interrupteur de mise sous tension et indicateur LED

L'interrupteur de mise sous tension Power Switch se trouve sur la face avant. Il suffit d'appuyer dessus pour mettre l'amplificateur sous tension (ou pour rendre actives une des options de mise en marche automatique).

La diode LED placée juste au-dessus s'allume alors. Une nouvelle pression sur l'interrupteur éteint l'appareil.


Sélecteur de mode de mise sous tension ON/OFF

Le RMB-1512 vous propose trois options différentes pour sa mise sous tension, manuelle ou automatique. Vous sélectionnez un de ces trois

modes, au choix, via le sélecteur trois positions présentes en face arrière, de la manière suivante :

- **Avec le sélecteur en position repérée « OFF »**, l'amplificateur est mis sous ou hors tension manuellement, via sa touche Power en face avant. C'est également la position à choisir si la prise d'alimentation secteur est elle-même munie d'un interrupteur.
- **Avec le sélecteur placé sur la position « SIGNAL SENSE »**, l'amplificateur s'allume automatiquement lorsqu'il détecte un signal sur ses entrées. Il reviendra ensuite automatiquement en mode de veille Standby, quelques minutes après que toute trace de signal ait disparu des entrées. L'interrupteur en face avant court-circuite cette fonction. Il doit donc être dans sa position ON pour que l'allumage par détection de signal en entrée soit effective. La position OFF éteint l'amplificateur, qu'un signal soit présent ou non sur une de ses entrées.
- **Lorsque le sélecteur est placé sur la position repérée « 12V TRIG »**, l'amplificateur s'allume automatiquement lorsqu'une tension de 12 volts est envoyée sur sa prise jack 3,5 mm placée à gauche du sélecteur et repérée « 12V TRIG ». Il se remet en mode de veille Standby dès que cette tension disparaît sur la prise. L'interrupteur en face avant court-circuite cette fonction. Il doit donc être dans sa position ON pour que l'allumage par détection de signal en entrée soit effective. La position OFF éteint l'amplificateur, qu'il y ait ou non une tension de 12 volts sur la prise Trigger IN.

Entrée Trigger 12 volts

Une prise jack 3,5 mm est prévue pour transporter la tension de 12 volts nécessaire au fonctionnement de la commutation TRIGGER que nous venons de décrire, issue généralement du préamplificateur ou du processeur Surround Rotel. Pour être efficace, le sélecteur contigu  doit être sur sa position repérée « 12 V TRIG » (voir le paragraphe précédent).

Cette entrée TRIGGER INPUT accepte en fait une tension continue ou alternative, d'une valeur comprise entre 3 et 30 volts. Utilisez un câble mono équipé de prises mini-jack 3,5 mm à ses deux extrémités. Le signal positif « + » doit se trouver sur la pointe de chaque prise.

Sortie Trigger 12 volts

La prise jack 3,5 mm repérée OUT permet de brancher une autre prise jack 3,5 mm pour renvoyer la tension de commutation 12 volts vers un autre appareil. La tension 12 volts n'est toutefois présente que si la prise IN est réellement alimentée par une telle tension, qui passe alors par cette prise OUT.

Indicateurs de protection

Un circuit de protection thermique protège l'amplificateur contre tout dommage éventuel dû à des conditions de fonctionnement anormales ou extrêmes. Contrairement à la majorité des autres amplificateurs de puissance, le circuit de protection du RMB-1512 est totalement indépendant du trajet du signal audio, et n'a donc aucune influence sur les performances musicales. Ce circuit contrôle aussi en permanence la température des étages de sortie, et coupe automatiquement l'amplificateur si celle-ci dépasse une valeur de fonctionnement normale.

De plus, le RMB-1512 intègre une protection contre les surcharges qui se met en service si l'impédance de charge en sortie devient trop basse.

Si un fonctionnement anormal survient, l'amplificateur s'arrête de fonctionner et un ou plusieurs des diodes LED « PROTECTION » de la face avant s'allument. Si cela se produit, éteignez l'amplificateur, et laissez-le se refroidir naturellement pendant plusieurs minutes. Il existe une diode Led indépendante pour chaque paire de canaux d'amplification, ce qui peut vous aider dans la résolution du problème. Lorsque vous rallumerez l'amplificateur, le circuit de protection doit normalement se réinitialiser automatiquement, et la ou les diodes PROTECTION s'éteindre.

Dans la plupart des cas, la mise en service de la protection est due à un court-circuit dans les câbles des enceintes acoustiques, ou à cause d'un mauvais respect de la ventilation correcte de l'amplificateur. Dans de très rares cas, la charge à très faible impédance ou très réactive de certaines enceintes acoustiques peut entraîner la mise en service de la protection.

Note : La diode LED de protection s'allume également lorsque le système de commutation 12 V Trigger est activé et que l'amplificateur est en mode de veille Standby.

Branchements des signaux en entrée

Le RMB-1512 possède des entrées asymétriques de type RCA, standard traditionnel que l'on trouve sur la quasi-totalité des maillons audio complémentaires.

En plus de ces six groupes d'entrée stéréo repérés INPUT 1 à INPUT 6, il y a une paire d'entrées repérée LINK IN. Il y a également une dernière paire de prises, repérée LINK OUT, et qui permet d'envoyer directement le signal audio branché simultanément sur les prises LINK IN, sans modification.

De plus, le signal audio branché sur les prises repérées LINK IN peut être également automatiquement envoyé sur n'importe quelle paire d'entrées des canaux INPUT 1-6, afin de ne pas avoir à utiliser un câble supplémentaire pour ces canaux, par exemple dans le cas d'un système complexe nécessitant d'alimenter simultanément plusieurs paires d'enceintes acoustiques à partir du même signal d'entrée.

Entrées RCA

Voir figure 2

Il y a deux prises RCA pour chacune des six paires de canaux de l'amplificateur. Ces entrées acceptent les signaux audio de sortie d'un préamplificateur ou d'un processeur Surround. N'utilisez que des câbles de liaison de haute qualité pour les meilleures performances possibles.

Pour chaque paire de canaux d'amplification, branchez le canal de sortie gauche du préamplificateur sur l'entrée gauche LEFT INPUT du RMB-1512. Branchez le canal de sortie droit du préamplificateur sur l'entrée droite RIGHT INPUT du RMB-1512. Assurez-vous que le sélecteur placé à droite des prises d'entrée RCA correspondantes est bien sur sa position repérée STEREO.

Chaînage des entrées

Vous pouvez lier les entrées de n'importe quel groupe d'entrées 1-6 en déplaçant leur sélecteur respectif d'entrée sur sa position LINK. Une fois cela choisi, il n'est plus nécessaire d'utiliser les entrées respectives de chacun de ces groupes effectivement liés. Le signal d'entrée sera fourni par les câbles branchés sur les prises repérées LINK IN, ce qui permet à la limite d'alimenter les douze canaux à partir du même signal stéréophonique.

Sélecteur Mono

Sur les groupes repérés INPUT 1 et INPUT 2, lorsque leur sélecteur d'entrée est placé sur sa position MONO, les entrées des canaux gauches et/ou droit sont envoyés vers les deux enceintes, comme s'il s'agissait d'un seul signal monophonique.

Réglages du niveau d'entrée

Six contrôles présents sur la face avant, un pour chaque paire de canaux, permettent d'en régler séparément le niveau d'entrée. Cela permet d'équilibrer le gain de l'amplificateur, pour qu'il s'adapte parfaitement aux autres maillons du système. Le réglage repéré INPUT 1 se charge du gain d'entrée des canaux INPUT 1 ; le réglage repéré INPUT 2 des canaux INPUT 2, et ainsi de suite. Pour effectuer ces réglages, utilisez un petit tournevis à lame plate. Tournez dans le sens des aiguilles d'une montre pour augmenter le gain, et dans le sens inverse pour réduire le gain.

Chaînage du signal de sortie

Une paire de prises RCA peut être utilisée pour permettre au signal d'être envoyé vers un autre appareil sans subir de modification, selon un principe baptisé « Daisy-Chain », pour alimenter un autre amplificateur supplémentaire et une paire d'enceintes acoustiques additionnelles. Les signaux d'entrée branchés sur les prises LINK IN sont donc disponibles sur les prises repérées LINK OUT. C'est une facilité très utile pour les systèmes multiroom.

Note : Les signaux présents sur les entrées LINK IN peuvent également être présents sur n'importe laquelle des entrées INPUT 1-6 en déplaçant le sélecteur de chacune de ces dernières sur sa position LINK, pour chaque paire de canaux.

Enceintes acoustiques

Voir figure 2

Le RMB-1512 possède six paires de prises pour enceintes acoustiques, une pour chaque paire de canaux d'amplification. Ces douze canaux peuvent être utilisés dans de nombreuses configurations différentes. L'illustration Branchements principaux, Figure 2, au début de ce manuel, n'en montre qu'une seule, celle d'un système typique avec six enceintes différentes. Mais les six canaux restant peuvent alors alimenter six enceintes supplémentaires, que cela concerne la chaîne principale ou un second système totalement indépendant.

Sélection des enceintes

L'impédance nominale de chaque enceinte branchée sur le RMB-1512, suivant le mode de fonctionnement choisi, doit être au minimum de 4 ohms. Lorsque l'amplificateur alimente plusieurs paires d'enceintes branchées en parallèle, l'impédance vue par l'amplificateur diminue de moitié. Par exemple, si l'amplificateur alimente deux paires d'enceintes de 8 ohms, il voit, lui, une charge résultante de 4 ohms.

Lorsque les enceintes sont branchées en parallèle, sélectionnez des modèles d'une impédance nominale de 8 ohms ou plus.

Choix des câbles d'enceintes

Utilisez du câble deux conducteurs isolés pour relier le RMB-1512 aux enceintes. La taille et la qualité du câble ont une influence audible sur les performances musicales. Un câble standard fonctionnera, mais il peut présenter des limitations quant à la dynamique réellement reproduite ou à la qualité du grave, surtout sur de grandes longueurs. En général, un câble de plus fort diamètre entraîne une amélioration du son. Pour des performances optimales, penchez-vous sur l'offre en terme de câbles spécialisés, de très haute qualité. Votre revendeur agréé Rotel est en mesure de vous renseigner efficacement à ce sujet.

Polarité et mise en phase

La polarité – autrement dit l'orientation correcte du « + » et du « - » pour chaque branchement des enceintes acoustiques doit être respectée pour toutes les enceintes, afin que celles-ci soient toutes en phase. Si la phase d'une seule enceinte est inversée, il en résultera un manque de grave sensible et une dégradation importante de l'image stéréophonique. Tous les câbles sont repérés afin que vous puissiez identifier clairement leurs deux conducteurs. Soit les câbles sont différents (un cuivré, un argenté), soit la gaine est de couleur différente (filet de couleur), soit elle est gravée. Assurez-vous que vous repérez bien le conducteur pour toutes les liaisons, et que vous respectez parfaitement la phase sur toutes les enceintes acoustiques, par rapport à l'entrée.

Branchement des câbles d'enceintes

Voir Figure 2

Tirez les câbles depuis le RMB-1512 vers les enceintes acoustiques. Prévoyez suffisamment de longueur pour qu'ils ne subissent aucune contrainte sur toute leur longueur et que vous puissiez déplacer les éléments sans qu'ils soient tendus.

Le RMB-1512 est équipé de deux paires de bornes vissantes pour chaque groupe de canaux d'amplification, une paire pour le canal gauche, l'autre paire pour le canal droit. Ces prises acceptent indifféremment du câble nu, des cosses ou fourches spéciales, ou encore des fiches banane (sauf en Europe, où les nouvelles normes CE l'interdisent).

Le RMB-1512 est également équipé de bornes vissantes dites « plug-in », conçues pour rendre les branchements plus aisés dans certains types d'installation. Vous pouvez ainsi précâbler ces prises avant l'installation effective de l'amplificateur. Ces prises « plug-in » sont montées en parallèle par rapport aux bornes vissantes traditionnelles.

Note : Les paragraphes suivants décrivent les modes de branchement pour les bornes vissantes et les prises « plug-in ». **N'UTILISEZ JAMAIS SIMULTANÉMENT ces deux modes de connexion, pour y brancher des enceintes différentes.**

Prises de branchement

Si vous utilisez des fiches dites « banane », connectez-les d'abord aux câbles, puis branchez-les à l'arrière des prises des enceintes acoustiques. Les bornes des enceintes doivent rester totalement vissées (sens des aiguilles d'une montre) avant leur insertion.

Si vous utilisez des fourches, commencez par les relier/souder sur les câbles. Si vous utilisez du fil nu, dénudez tous les câbles sur une

longueur suffisante, et torsadez les brins de chaque conducteur de telle manière qu'aucun brin ne puisse venir en contact avec un autre d'un autre conducteur (court-circuit). Suivant la taille des torsades, insérez-les dans les trous centraux des prises ou entourez-le autour des axes de celles-ci (sens des aiguilles d'une montre), de la même manière que pour les fourches. Dans tous les cas, serrez fermement à la main les bornes vissantes.

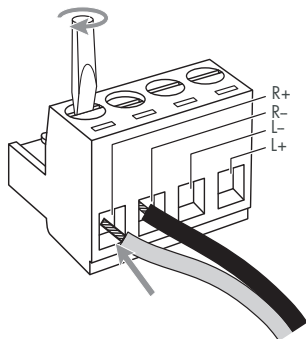
Pour chaque groupe de canaux, branchez les câbles de l'enceinte de gauche sur les prises repérées LEFT. Et ceux de l'enceinte de droite sur les prises repérées RIGHT. Ces inscriptions se trouvent à côté des prises. Assurez-vous aussi que le câble positif de l'enceinte est bien branché sur la prise repérée « + », et le câble négatif sur la prise repérée « - ».

Note : Vérifiez bien qu'aucun brin de chaque conducteur ne vienne en contact avec le conducteur ou la prise adjacente.

Prises « plug-in »

Branchez les câbles venant des enceintes acoustiques comme indiqué sur l'illustration ci-dessous. Insérez chaque conducteur dans l'ouverture correspondante, puis tournez la vis pour sécuriser le câble en place.

Vérifiez le respect correct de la polarité, comme indiqué plus haut pour le branchement traditionnel.




Problèmes de fonctionnement

La majorité des problèmes survenant dans une installation haute fidélité est due à de mauvais branchements, ou à une mauvaise utilisation d'un ou de plusieurs maillons. Si le problème est bien lié à votre amplificateur de puissance, il s'agit très certainement d'un mauvais branchement. Voici quelques vérifications de base qui résolvent la majorité des problèmes rencontrés :

L'indicateur Power de mise sous tension ne s'allume pas

L'amplificateur RMB-1512 n'est pas alimenté par le secteur. Vérifiez la position de l'interrupteur de mise sous tension Power (position ON). Si vous avez choisi l'option d'allumage via la prise 12 V TRIG, assurez-vous qu'une tension de commutation soit bien présente sur la prise jack correspondante 12 V TRIG IN.

Pas de son

Si l'amplificateur est bien sous tension mais qu'aucun son n'en sort, regardez les diodes PROTECTION INDICATOR  sur la face avant. Si une ou plusieurs sont allumées, voir le paragraphe suivant. Si elle est éteinte, vérifiez tous les maillons du système, la qualité des branchements et la position des diverses commandes.

Diode(s) de protection allumée(s)

Les diodes LED PROTECTION INDICATOR s'allument si le circuit de protection est activé, ce qui a pour effet d'éteindre alors automatiquement l'amplificateur (une diode par paire de canaux). Cela arrive principalement quand les ouïes d'aération ont été obstruées, quand il y a un court-circuit dans les sorties enceintes, ou si l'amplificateur a fonctionné très longtemps à puissance maximum. Éteignez l'amplificateur et attendez qu'il refroidisse. Le fait d'appuyer à nouveau sur l'interrupteur de mise sous tension pour rallumer l'appareil entraînera la réinitialisation automatique des circuits de protection. Si la protection se remet à fonctionner, il y a un problème dans le système ou l'amplificateur lui-même.

Spécifications

Puissance de sortie continue (20 – 20 000 Hz, DHT < 0,03 %, 8 ohms)	100 watts/canal
Distorsion harmonique totale (20 – 22 000 Hz, 8 ohms)	< 0,03 %
Distorsion d'intermodulation (60 Hz : 7 kHz, 4 : 1)	< 0,03 %
Facteur d'amortissement (20 – 20 000 Hz, 8 ohms)	200
Impédance/sensibilité d'entrée	8,3 kohms/1,25 V
Gain d'amplification	27,2 dB
Réponse en fréquence (± 1 dB)	10 Hz – 40 kHz
Rapport signal/bruit (pondéré A IHF)	105 dB
Diaphonie/séparation	> 70 dB
Impédance des enceintes (mode normal)	4 ohms minimum
Niveau de détection du signal en entrée	5 mV
Alimentation	USA : 110 volts, 60 Hz Europe : 230 volts, 50 Hz
Consommation	660 watts Moyenne : 84 watts En veille : 10,8 watts
Dimensions (L x H x P)	431 x 144 x 449 mm
Poids (net)	10,9 kg
Hauteur face avant	3U, 132,6 mm

Toutes les spécifications sont certifiées exactes au moment de l'impression. Rotel se réserve le droit d'apporter des améliorations sans préavis.

Wichtige Sicherheitshinweise

WARNUNG: Im Innern des Gerätes befinden sich keine vom Bediener zu wartenden Teile. Alle Servicearbeiten müssen von qualifiziertem Servicepersonal durchgeführt werden.

WARNUNG: Zum Schutz vor Feuer oder einem elektrischen Schlag darf das Gerät weder Feuchtigkeit noch Wasser ausgesetzt werden. Achten Sie darauf, dass keine Spritzer in das Gerät gelangen. Stellen Sie keine mit Flüssigkeit gefüllten Gegenstände (z. B. Vasen) auf das Gerät. Das Eindringen von Gegenständen in das Gehäuse ist zu vermeiden. Sollte das Gerät trotzdem einmal Feuchtigkeit ausgesetzt sein oder ein Gegenstand in das Gehäuse gelangen, so trennen Sie es sofort vom Netz. Lassen Sie es von einem Fachmann prüfen und die notwendigen Reparaturarbeiten durchführen.

Lesen Sie sich alle Hinweise vor dem Anschließen und dem Betrieb des Gerätes genau durch.

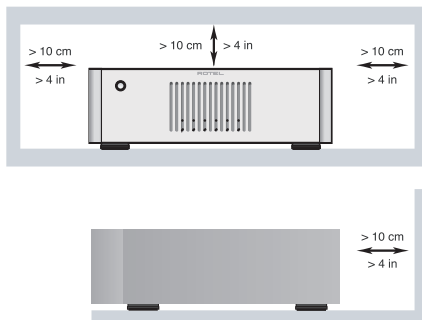
Bewahren Sie die Bedienungsanleitung so auf, dass Sie jederzeit auf sie zugreifen können.

Alle Warn- und Sicherheitshinweise in dieser Bedienungsanleitung und auf dem Gerät müssen genau beachtet werden. Außer den beschriebenen Handgriffen sind vom Bediener keine Arbeiten am Gerät vorzunehmen.

Reinigen Sie das Gehäuse nur mit einem trockenen Tuch oder einem Staubsauger.

Nutzen Sie das Gerät nicht in der Nähe von Wasser.

Stellen Sie sicher, dass um das Gerät ein Freiraum von 10 cm gewährleistet ist.



Stellen Sie das Gerät weder auf ein Bett, Sofa, Teppich oder ähnliche Oberflächen, damit die Ventilationsöffnungen nicht verdeckt werden. Das Gerät sollte nur dann in einem Regal oder in einem Schrank untergebracht werden, wenn eine ausreichende Luftzirkulation gewährleistet ist.

Stellen Sie das Gerät nicht in die Nähe von Wärmequellen (Heizkörper, Wärmespeicher, Öfen oder sonstige wärmeerzeugende Geräte).

WARNUNG: Die Verbindung mit dem Netz kann nur über den Netzeingang an der Geräterückseite unterbrochen werden. Das Gerät muss so aufgestellt werden, dass Sie freien Zugriff auf den Netzeingang haben.

Bevor Sie das Gerät in Betrieb nehmen, prüfen Sie, ob die Betriebsspannung mit der örtlichen Netzspannung (Europa: 230 V/50 Hz) übereinstimmt. Die Betriebsspannung ist an der Rückseite des Gerätes angegeben.

Schließen Sie das Gerät nur mit dem dazugehörigen zweipoligen Netzkabel an die Wandsteckdose an. Modifizieren Sie das Netzkabel auf keinen Fall. Versuchen Sie nicht, die Erdungs- und/oder Polarisationsvorschriften zu umgehen. Das Netzkabel ist an eine zweipolige Wandsteckdose anzuschließen. Verwenden Sie keine Verlängerungskabel.

Die Verbindung mit dem Netz kann nur über den Netzeingang an der Geräterückseite unterbrochen werden. Um das Gerät also vollständig vom Netz zu trennen, müssen Sie den Netzstecker aus der Steckdose ziehen.

Netzkabel sind so zu verlegen, dass sie nicht beschädigt werden können (z. B. durch Trittbelastung, Möbelstücke oder Erwärmung). Besondere Vorsicht ist dabei an den Steckern, Verteilern und den Anschlussstellen des Gerätes geboten.

Bei Gewitter oder wenn Sie das Gerät für eine längere Zeit nicht in Betrieb nehmen ziehen Sie den Netzstecker aus der Steckdose.

Das Gerät ist an eine Schutzkontakt-Steckdose anzuschließen.

Benutzen Sie nur vom Hersteller empfohlenes Zubehör.

Verwenden Sie nur von Rotel empfohlene Transportmittel, Ständer, Racks, Halterungen oder Regalsysteme. Seien Sie vorsichtig, wenn Sie das Gerät in einem Ständer oder Rack bewegen, um Verletzungen durch Umkippen vorzubeugen.



Schalten Sie das Gerät sofort aus und ziehen Sie geschultes Fachpersonal zu Rate, wenn:

- das Netzkabel oder der Stecker beschädigt sind,
- Gegenstände bzw. Flüssigkeit in das Gerät gelangt sind,
- das Gerät Regen ausgesetzt war,
- das Gerät nicht ordnungsgemäß funktioniert bzw. eine deutliche Leistungsminderung aufweist,
- das Gerät hingefallen ist bzw. beschädigt wurde.

ACHTUNG

GEFAHR EINES ELEKTRISCHEN SCHLAGES. NICHT ÖFFNEN.

ACHTUNG: UM DIE GEFAHR EINES ELEKTRISCHEN SCHLAGES ZU REDUZIEREN, NICHT DIE GEHÄUSEABDECKUNG ENTFERNEN. IM INNERN BEFINDEN SICH KEINE VOM BEDIENER ZU WARTENDEN TEILE. ZIEHEN SIE NUR QUALIFIZIERTES PERSONAL ZU RATE.

APPLICABLE FOR USA, CANADA OR WHERE APPROVED FOR THE USAGE

CAUTION: TO PREVENT ELECTRIC SHOCK, MATCH WIDE BLADE OF PLUG TO WIDE SLOT, INSERT FULLY.

ATTENTION: POUR EVITER LES CHOCS ELECTRIQUES, INTRODUIRE LA LAME LA PLUS LARGE DE LA FICHE DANS LA BORNE CORRESPONDANTE DE LA PRISE ET POUSSER JUSQU'AU FOND.











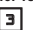




Das Blitzsymbol mit Pfeil in einem gleichseitigen Dreieck macht den Benutzer auf das Vorhandensein gefährlicher Spannung im Gehäuse aufmerksam. Diese ist so groß, dass sie für eine Gefährdung von Personen durch einen elektrischen Schlag ausreicht.

Das Ausrufungszeichen in einem gleichseitigen Dreieck weist den Leser auf wichtige Betriebs- und Wartungshinweise in der dem Gerät beiliegenden Literatur hin.

Rotel-Produkte entsprechen den internationalen Richtlinien über die Beschränkung der Verwendung bestimmter gefährlicher Stoffe in Elektro- und Elektronikgeräten (Restriction of Hazardous Substances (kurz RoHS genannt)) und über Elektro- und Elektronik-Altgeräte (Waste Electrical and Electronic Equipment (WEEE)). Die durchgestrichene Mülltonne steht für deren Einhaltung und besagt, dass die Produkte ordnungsgemäß recycelt oder diesen Richtlinien entsprechend entsorgt werden müssen.



Inhaltsverzeichnis

Figure 1: Bedienelemente und Anschlüsse	3
Figure 2: Anschlussdiagramm	4
Wichtige Hinweise	5
Wichtige Sicherheitshinweise	17
Die Firma Rotel	18
Ein Wort zur Leistungsangabe	18
Zu dieser Anleitung	19
Features	19
Einige Vorsichtsmaßnahmen	19
Aufstellung des Gerätes	19
Netzspannung und Bedienung	19
Netzeingang 	19
POWER-Schalter und Betriebsanzeige 	19
OFF/SIGNAL SENSE/12V TRIG-Wahlschalter 	19
12-V-Trigger-Eingang 	20
12-V-Trigger-Ausgang 	20
Protection-LEDs 	20
Eingangssignalanschlüsse	20
Cinch-Eingänge 	20
LINK-Position des Schiebeschalters  und LINK IN-Anschlüsse 	20
MONO-Position der Schiebeschalter für INPUT 1 und INPUT 2 	20
Pegelsteller an der Gerätefront 	20
Signal Output Link 	21
Lautsprecher	21
Auswahl der Lautsprecher	21
Auswahl der Lautsprecherkabel	21
Polarität und Phasenabgleich	21
Anschließen der Lautsprecherkabel 	21
Anschluss über die Schraubklemmen 	21
Anschluss über die Steckverbindung 	22
Bei Störungen	22
Die Betriebsanzeige leuchtet nicht	22
Kein Ton	22
Protection-LED leuchtet	22
Technische Daten	22

Die Firma Rotel

Unsere Geschichte begann vor ungefähr 50 Jahren. In den folgenden Jahrzehnten haben wir Hunderte von Auszeichnungen für unsere Produkte erhalten und unzähligen Menschen echten Hörgenuss bereitet, denen gute Unterhaltung wichtig ist.

Rotel wurde von einer Familie gegründet, deren Interesse an Musik so groß war, dass sie beschloss, hochwertigste HiFi-Produkte herzustellen und Musikliebhabern ungeachtet ihres Geldbeutels einen außergewöhnlichen Wert zukommen zu lassen. Ein Ziel, das von allen Rotel-Mitarbeitern verfolgt wird.

Die Ingenieure arbeiten als Team eng zusammen. Sie hören sich jedes neue Produkt an und stimmen es klanglich ab, bis es den gewünschten Musikstandards entspricht. Die eingesetzten Bauteile stammen aus verschiedenen Ländern und wurden ausgewählt, um das jeweilige Produkt zu optimieren. So finden Sie in Rotel-Geräten Kondensatoren aus Großbritannien und Deutschland, Halbleiter aus Japan oder den USA und direkt bei Rotel gefertigte Ringkerntransformatoren.

Wir fühlen uns unserer Umwelt gegenüber verpflichtet. Und da immer mehr Elektronik produziert wird und später entsorgt werden muss, ist es von Herstellerseite besonders wichtig, Produkte zu entwickeln, die unsere Mülldeponien und Gewässer möglichst wenig belasten.

Rotel ist stolz darauf, seinen Beitrag zu leisten. So konnten wir den Bleianteil in unserer Elektronik durch bleifreies Lötten reduzieren. Unsere neuen Class-D-Verstärker (nicht digital) arbeiten bis zu 5-mal effizienter als ältere Verstärker-Designs, ohne dabei an Leistung und Performance zu verlieren. Mit ihren geringeren Wärmeverlusten schonen diese Produkte nicht nur die Umwelt, sie überzeugen auch klanglich.

Last, not least ist diese Anleitung auf Recyclingpapier gedruckt.

Dies sind zwar kleine, aber wichtige Schritte. Und wir forschen weiter nach Verfahren und Materialien für einen saubereren und umweltfreundlicheren Herstellungsprozess.

Vielen Dank, dass Sie sich für dieses Rotel-Produkt entschieden haben. Wir sind sicher, dass Sie in den nächsten Jahren viel Freude daran haben werden.

Ein Wort zur Leistungsangabe

Die Ausgangsleistung dieser Endstufe wird mit 100 Watt pro Kanal angegeben, wenn alle zwölf Kanäle gleichzeitig die volle Ausgangsleistung liefern.

Rotel spezifiziert die Ausgangsleistung auf diese Weise, da nach unserer Erfahrung hiermit das tatsächliche Leistungspotenzial des Receivers oder Verstärkers widergespiegelt wird.

Beim Vergleich der technischen Daten verschiedener Hersteller sollten Sie sich darüber im Klaren sein, dass die Ausgangsleistung oftmals auf unterschiedliche Weise angegeben wird, so dass kein direkter Vergleich möglich ist.

Wird die Ausgangsleistung beispielsweise bei einem aktiven Kanal gemessen, so liegt der Maximalwert höher. Die Hochleistungsnetzteile der Rotel-Class-D-Verstärker gewährleisten, dass die gesamte angegebene Ausgangsleistung an einem Kanal oder an allen Kanälen zur Verfügung steht.

Die Impedanz eines Lautsprechers steht für den elektrischen Widerstand oder die Last, die er für den Verstärker darstellt. Sie liegt in der Regel bei 8 oder 4 Ohm. Je geringer die Impedanz, desto höher ist die vom Lautsprecher benötigte Leistung. So ist für den Antrieb eines 4-Ohm-Lautsprechers die doppelte Leistung erforderlich wie für einen 8-Ohm-Lautsprecher.

Idealerweise sollte der Verstärker also an 4-Ohm-Lasten die doppelte Leistung abgeben – bei 100 Watt an 8 Ohm etwa 200 Watt an 4 Ohm. Grundsätzlich stellen Lautsprecher mit einer niedrigeren Impedanz höhere Ansprüche an das Netzteil des Verstärkers, da sie mehr Strom ziehen und mehr Wärme abgeben.

Daher sind Rotel-Verstärker so ausgelegt, dass sie mit jedem Lautsprecher mit einer Impedanz zwischen 8 und 4 Ohm arbeiten können, wobei alle Kanäle dabei die angegebene Ausgangsleistung liefern. Da das Rotel-Design so optimiert wurde, dass der gleichzeitige Betrieb

aller Kanäle möglich ist, kann Rotel die tatsächliche Ausgangsleistung für beide Kanäle angeben.

Und das kann auch für Ihr Hörvergnügen von entscheidender Bedeutung sein. Beim Ansehen eines Filmes ist es immer von Vorteil, wenn der Verstärker in der Lage ist, auf allen Kanälen gleichzeitig die volle Ausgangsleistung zu gewährleisten. Das gilt besonders, wenn im Film ein Vulkan ausbricht!

Zu dieser Anleitung

Vielen Dank, dass Sie sich für die Rotel-RMB-1512 entschieden haben. Diese leistungsstarke Zwölfkanal-Endstufe kann optimal in jedem qualitativ hochwertigen HiFi- oder Heimkinosystem eingesetzt werden.

Die RMB-1512 ist eine Zwölfkanal-Hochleistungsstufe und überzeugt durch höchste Wiedergabequalität. Ein großzügig dimensioniertes Netzteil, erstklassige Bauteile und Rotels Balanced-Design-Konzept gewährleisten eine herausragende Klangqualität. Aufgrund der hohen Stromlieferfähigkeit kann die RMB-1512 problemlos anspruchsvolle Lautsprecher antreiben.

Features

- Zwölfkanal-Endstufe mit einer Ausgangsleistung von 100 Watt pro Kanal an 8 Ohm
- Pegelsteller an der Gerätefront
- Vom Benutzer einstellbare Power on/off-Konfiguration: manuell, Signal Sense oder über 12-V-Trigger-Signal
- Schutzschaltung mit LED-Anzeigen an der Gerätefront
- Signal Input Link, Input Mono-Schalter und Signal Output Link für ein Maximum an Flexibilität bei der Systemkonfiguration

Einige Vorsichtsmaßnahmen

Lesen Sie sich die Bedienungsanleitung bitte vor der Inbetriebnahme genau durch. Neben grundsätzlichen Installations- und Bedienungshinweisen (bitte beachten Sie auch die Sicherheitshinweise am Anfang der Bedienungsanleitung) enthält sie allgemeine Informationen, die Ihnen helfen werden, Ihr System mit seiner maximalen Leistungsfähigkeit zu betreiben. Bitte setzen Sie sich bei etwaigen Fragen mit Ihrem autorisierten Rotel-Fachhändler in Verbindung.

Bewahren Sie den Versandkarton und das übrige Verpackungsmaterial der RMB-1512 für einen eventuellen späteren Einsatz auf. Der Versand oder Transport der RMB-1512 in einer anderen als der Originalverpackung kann zu erheblichen Beschädigungen Ihrer Endstufe führen.

Schicken Sie die Ihrer Endstufe beiliegende Garantieforderungskarte ausgefüllt an den Rotel-Distributor in Ihrem Land. Bewahren Sie bitte die Original-Kaufquittung auf. Sie belegt am besten das Kaufdatum, das für Sie wichtig wird, sobald Sie eine Garantieleistung in Anspruch nehmen.

Aufstellung des Gerätes

Stellen Sie die RMB-1512 auf eine feste, ebene Oberfläche. Vermeiden Sie Sonnenlicht, Wärme, Feuchtigkeit und Vibrationen.

Stellen Sie keine anderen Geräte oder Gegenstände auf die RMB-1512. Es darf keine Flüssigkeit in das Gerät gelangen.

Berücksichtigen Sie beim Aufbau das Gewicht der Endstufe. Stellen Sie sicher, dass das Regal oder der Schrank auf das vergleichsweise hohe Gewicht der RMB-1512 ausgelegt ist.

Die RMB-1512 erwärmt sich während des normalen Betriebes. Die Ventilationsöffnungen an der Oberseite dürfen nicht blockiert werden. Das Gerät ist an einem Ort aufzustellen, an dem rund um das Gehäuse ein Freiraum von 10 cm und eine ausreichende Luftzirkulation gewährleistet sind, um ein Überhitzen zu verhindern.

Netzspannung und Bedienung

Netzeingang

Die RMB-1512 wird von Rotel so eingestellt, dass sie mit der in Ihrem Land üblichen Wechselspannung (Europa: 230 Volt Wechselspannung/50 Hz; USA: 115 Volt Wechselspannung/60 Hz) arbeitet. Die Einstellung ist an der Geräterückseite angegeben.

Die RMB-1512 wird mit dem passenden Netzkabel geliefert. Verwenden Sie nur dieses oder ein gleichwertiges Kabel. Modifizieren Sie das beiliegende Kabel nicht. Verwenden Sie kein Verlängerungskabel.

Stellen Sie sicher, dass die RMB-1512 vor dem Anschließen an das Netz abgeschaltet ist. Verbinden Sie nun das beiliegende Netzkabel mit dem Netzeingang an der Geräterückseite und stecken Sie das andere Ende des Kabels in die Wandsteckdose.

Sind Sie für längere Zeit nicht zu Hause, wie z. B. während einer mehrwöchigen Urlaubsreise, sollten Sie Ihre Endstufe (ebenso wie alle anderen Audio- und Videokomponenten) während Ihrer Abwesenheit vom Netz trennen.

POWER-Schalter und Betriebsanzeige

Der POWER-Schalter befindet sich an der Gerätefront der RMB-1512. Drücken Sie ihn zum Einschalten des Gerätes (oder zur Aktivierung einer der automatischen Power on-Modi).

Der Ring um den Schalter beginnt zu leuchten und zeigt an, dass die Endstufe eingeschaltet ist. Drücken Sie zum Ausschalten der Endstufe erneut den POWER-Schalter.

OFF/SIGNAL SENSE/12V TRIG-Wahlschalter

Die RMB-1512 verfügt an der Rückseite über einen Schalter mit drei Einstellmöglichkeiten (OFF für manuelles Einschalten des Gerätes sowie SIGNAL SENSE und 12V TRIG).

- **Befindet sich der Schalter in der OFF-Position**, kann die Endstufe ausschließlich manuell über den POWER-Schalter an der Gerätefront ein- und ausgeschaltet werden. Nutzen Sie diesen Modus, wenn die Endstufe an eine geschaltete Steckdose angeschlossen ist.
- **Befindet sich der Schalter in der SIGNAL SENSE-Position**, so schaltet sich die Endstufe automatisch ein, wenn ein Audiosignal an den Eingängen anliegt. Liegt einige Minuten kein Signal an, schaltet die Endstufe in den Standby-Modus. Der POWER-Schalter an der Gerätefront muss eingeschaltet sein,

damit der Signal Sense-Modus funktioniert. Befindet sich der POWER-Schalter in der Aus-Position, ist die Endstufe abgeschaltet (unabhängig davon, ob ein Signal anliegt oder nicht).

- **Befindet sich der Schalter in der 12V TRIG-Position,** wird die Endstufe automatisch eingeschaltet, wenn an der 3,5-mm- und mit IN gekennzeichneten 12V TRIG-Buchse ein 12-V-Trigger-Signal anliegt. Liegt kein +12V-Signal an, so schaltet die Endstufe in den Standby-Modus. Der POWER-Schalter an der Gerätefront muss eingeschaltet sein, damit der 12V TRIG-Modus funktioniert. Befindet sich der POWER-Schalter in der Aus-Position, ist die Endstufe abgeschaltet (unabhängig davon, ob ein Trigger-Signal anliegt oder nicht).

12-V-Trigger-Eingang

An die mit IN gekennzeichnete Anschlussbuchse kann zum Ein- und Ausschalten der Endstufe ein Anschlusskabel mit 3,5-mm-Klinkensteckern zur Übertragung eines +12-V-Trigger-Signals von einem Rotel-Vorverstärker oder -Surround-Prozessor angeschlossen werden. Um diese Funktion nutzen zu können, müssen Sie den Schiebeschalter in die linke Position setzen (siehe oben).

Dieser Eingang reagiert auf Gleich- oder Wechselspannungssignale von 3 bis 30 Volt. Das +12-V-Signal liegt an der Steckerspitze.

12-V-Trigger-Ausgang

An die mit OUT gekennzeichnete Buchse kann ein weiteres Anschlusskabel mit 3,5-mm-Klinkensteckern angeschlossen werden, über das ein 12-V-Trigger-Signal zu einem anderen Rotel-Verstärker geleitet werden kann. Das 12-V-Ausgangssignal steht bereit, sobald ein +12-V-Trigger-Signal an der mit IN gekennzeichneten Buchse anliegt.

Protection-LEDs

Die thermische Schutzschaltung der RMB-1512 schützt die Endstufe vor möglichen Schäden durch extreme oder fehlerhafte Betriebsbedingungen. Sie ist im Gegensatz zu vielen anderen Konstruktionen unabhängig vom Audiosignal und beeinflusst den Klang nicht. Stattdessen überwacht sie die Temperatur an den Leistungstransistoren und schaltet die Endstufe ab, sobald bestimmte Temperaturgrenzen überschritten werden.

Darüber hinaus ist in die RMB-1512 ein Überstromschutz integriert, der nur dann anspricht, wenn die Lastimpedanz zu stark abnimmt. Diese Schutzschaltung funktioniert für jedes Kanalpaar unabhängig.

Sollte es zu einer Störung kommen, wird der gestörte Verstärkerkanal bzw. werden die gestörten Verstärkerkanäle abgeschaltet. Eine Protection-LED bzw. mehrere Protection-LEDs an der Gerätefront beginnt bzw. beginnen zu leuchten.

Schalten Sie die Endstufe in diesem Fall aus. Lassen Sie sie einige Minuten abkühlen. Versuchen Sie, den Grund für die Störung herauszufinden und zu beheben. Beim erneuten Einschalten der Endstufe setzt sich die Schutzschaltung automatisch zurück, und die LED(s) erlischt(erlischen).

In den meisten Fällen wird die Schutzschaltung durch eine Fehlfunktion, wie z. B. durch kurzgeschlossene Lautsprecherkabel oder eine unzureichende Belüftung, die schließlich zu einer Überhitzung führt, aktiviert. In sehr seltenen Fällen können Lautsprecher mit einer extrem niedrigen Impedanz die Schutzschaltung aktivieren.

HINWEIS: Die Protection-LED leuchtet auch, wenn das 12-V-Trigger-System genutzt wird und sich die Endstufe im Standby-Modus befindet.

Eingangssignalanschlüsse

An der Rückseite der RMB-1512 befinden sich unsymmetrische Cinch-Eingänge, wie sie an jedem hochwertigen Audiogerät zu finden sind.

Zusätzlich zu den mit INPUT 1 bis INPUT 6 gekennzeichneten Stereo-Eingängen finden Sie an der Geräterückseite zwei mit LINK IN gekennzeichnete Eingänge und zwei mit LINK OUT gekennzeichnete Ausgänge, über die das an den Link-Eingängen anliegende Signal an eine weitere Audiokomponente weitergeleitet wird.

Das an den LINK IN-Anschlüssen anliegende Eingangssignal kann ferner automatisch mit den Eingängen INPUT 1 bis INPUT 6 verbunden werden, so dass für diese Kanäle kein separates Eingangssignalkabel erforderlich ist. Dies ist in umfangreichen Systemen hilfreich, wenn die RMB-1512 zum Antrieb mehrerer Lautsprecherpaare eingesetzt wird.

Cinch-Eingänge

Siehe Figure 2

Für jeden der sechs Verstärkerkanalpaare besitzt die RMB-1512 zwei Cinch-Eingänge, die die Audiosignale von Vorverstärkern bzw. Surround-Prozessoren akzeptieren. Verwenden Sie hochwertige Audioverbindungskabel, um eine optimale Klangqualität zu gewährleisten.

Verbinden Sie bei jedem Verstärkerkanalpaar den linken Ausgang Ihres Vorverstärkers bzw. Signalprozessors mit dem Eingang LEFT INPUT an der RMB-1512. Schließen Sie bei jedem Verstärkerkanalpaar den rechten Ausgang Ihres Vorverstärkers bzw. Signalprozessors an den Eingang RIGHT INPUT an der RMB-1512 an. Stellen Sie sicher, dass sich der zu jedem Anschlusspaar gehörende Schiebeschalter in der STEREO-Position befindet.

LINK-Position des Schiebeschalters und LINK IN-Anschlüsse

Sie können die Eingänge der Gruppen INPUT 1 bis INPUT 6 verbinden, indem Sie den jeweils unter den Cinch-Eingängen befindlichen Schiebeschalter in die LINK-Position setzen. In diesem Fall ist für diese Gruppe kein Eingangsanschluss erforderlich. Das Eingangssignal der LINK IN-Anschlüsse wird zum verbundenen Kanalpaar gesendet, so dass Sie dieselben Stereo-Eingangssignale zu zwölf Verstärkerkanälen senden können.

MONO-Position der Schiebeschalter für INPUT 1 und INPUT 2

Für die Gruppen INPUT 1 und INPUT 2 wird das Eingangssignal des linken und/oder rechten Kanals beiden Lautsprechern als Monosignal zur Verfügung gestellt, wenn der Schiebeschalter in die MONO-Position gesetzt wird.

Pegelsteller an der Gerätefront

Über die sechs an der Gerätefront befindlichen Steller können die Pegel der RMB-1512 eingestellt und dadurch an die anderen Komponenten im System angepasst werden. Nutzen Sie dazu einen kleinen Flachsraubendreher. Drehen Sie die Steller im Uhrzeigersinn, wenn der Pegel erhöht werden soll. Drehen Sie sie gegen den Uhrzeigersinn, um den Pegel zu reduzieren.

Signal Output Link

Das zu den LINK IN-Anschlüssen gesendete Eingangssignal wird auch zu den LINK OUT-Anschlüssen geleitet. Somit ist es möglich, ein unverarbeitetes Eingangssignal zu einer weiteren Audiokomponente zu senden, um beispielsweise eine zusätzliche Endstufe in Reihe zu schalten und damit ein weiteres Lautsprecherpaar anzutreiben. Diese Funktion wird in der Regel benutzt, wenn die Endstufe Teil eines Multiroom-Systems ist.

HINWEIS: Die von den LINK-Eingängen kommenden Eingangssignale können auch zu jedem der Eingänge INPUT 1 bis 6 geleitet werden, indem Sie den mit dem jeweiligen Kanalpaar verbundenen Schiebeshalter in die LINK-Position setzen.

Lautsprecher

Siehe Figure 2

Die RMB-1512 verfügt über sechs Gruppen von Lautsprecheranschlussklemmen, eine Gruppe für jedes Verstärkerkanalpaar. Die zwölf Kanäle können in den unterschiedlichsten Konfigurationen genutzt werden. Das Anschlussdiagramm in Figure 2 zeigt beispielsweise, wie ein typisches System mit sechs Lautsprechern angeschlossen wird. In diesem Falle stehen weitere sechs Kanäle für den Anschluss von bis zu sechs weiteren Lautsprechern zur Verfügung. Diese können zum Hauptsystem hinzugefügt werden oder unabhängig davon sein.

Auswahl der Lautsprecher

Wir empfehlen, an die RMB-1512 Lautsprecher mit einer nominalen Impedanz von mindestens 4 Ohm anzuschließen. Beim Betrieb mehrerer parallel geschalteter Lautsprecherpaare sollten Sie einige Vorsicht walten lassen, da sich die effektive, vom Verstärker wahrgenommene Impedanz verringert. Beim Betrieb von zwei Paar 8-Ohm-Lautsprechern beträgt die Last für den Verstärker 4 Ohm. Werden mehrere parallel geschaltete Lautsprecher angeschlossen, empfehlen wir, Lautsprecher mit einer nominalen Impedanz von 8 Ohm einzusetzen.

Auswahl der Lautsprecherkabel

Verbinden Sie die RMB-1512 und die Lautsprecher über ein isoliertes, zweiadriges Lautsprecherkabel. Aufbau und Qualität des Kabels können hörbare Effekte auf die Musikkwiedergabe haben. Standard-„Klingeldraht“ wird funktionieren, jedoch können vor allem bei größeren Kabellängen Leistungsverluste und eine ungleichmäßige Wiedergabe des Frequenzspektrums das Ergebnis sein. Allgemein gilt, dass Kabel mit größerem Querschnitt eine verbesserte Wiedergabequalität gewährleisten. Für höchste Wiedergabequalität sollten Sie die Benutzung von speziellen, hochwertigen Lautsprecherkabeln erwägen. Ihr autorisierter Rotel-Fachhändler wird Ihnen bei der Auswahl dieser Lautsprecherkabel gerne weiterhelfen.

Polarität und Phasenabgleich

Die Polarität – die positive/negative Ausrichtung der Anschlüsse – muss für jede Lautsprecher-/Verstärkerverbindung phasengleich sein. Wird die Polarität einer Verbindung irrtümlicherweise umgekehrt, führt dies zu einem unausgewogenen Klangbild mit schwachen Bässen.

Die Kabel sind zur Identifizierung gekennzeichnet. So kann die Isolationsschicht eines Leiters gerippt oder ein Leiter mit einem Streifen markiert sein. Das Kabel kann verschiedenfarbige Leiter (Kupfer und Silber) besitzen und von einer transparenten Isolationsschicht umgeben sein. Bei anderen Kabeln wird die Polaritätsangabe auf die Isolationsschicht gedruckt. Unterscheiden Sie zwischen positiven und negativen Leitern und achten Sie beim Anschluss an Lautsprecher und Verstärker auf die gleiche Polung.

Anschließen der Lautsprecherkabel

Siehe Figure 2

Führen Sie die Kabel von der RMB-1512 zu den Lautsprechern. Lassen Sie genügend Raum, damit Sie die Komponenten bewegen können und so einen freien Zugang zu den Lautsprecheranschlüssen sicherstellen.

Die RMB-1512 verfügt an der Rückseite über zwei Paar farbige gekennzeichnete Schraubklemmen für jede Verstärkerkanalgruppe (ein Paar für den linken und ein Paar für den rechten Lautsprecher – siehe die Kennzeichnung über den Schraubklemmen). An diese Klemmen können blanke Drähte oder Kabelschuhe angeschlossen werden.

Außerdem besitzt die RMB-1512 Steckverbindungen, die das Anschließen der Lautsprecher in Custom Installation-Systemen vereinfachen. Sie können die Kabel anschließen, bevor Sie die Endstufe installieren. Die Steckverbinder sind parallel zu den Schraubklemmen geschaltet.

HINWEIS: Im Folgenden werden beide Anschlussmöglichkeiten beschrieben. Nutzen Sie für den Anschluss mehrerer Lautsprecher jeweils NUR EINE Verbindungsart.

Anschluss über die Schraubklemmen

Bei der Verwendung von Kabelschuhen verbinden Sie diese mit den Kabeln, stecken die Kabelschuhe hinten unter die Anschlussklemmen und drehen die Klemmen im Uhrzeigersinn fest.

Sollten die Lautsprecherkabel direkt (ohne Kabelschuhe) an die Lautsprecherklemmen angeschlossen werden, so entfernen Sie an den Kabelenden ca. 15 mm der Isolation. Lösen Sie die Schraubklemmen durch Drehen gegen den Uhrzeigersinn. Verdrillen Sie die blanken Kabelenden, um ein Zerfasern zu vermeiden, und stecken Sie das verdrillte Kabel hinter die Schraubklemmen. Anschließend drehen Sie diese im Uhrzeigersinn fest.

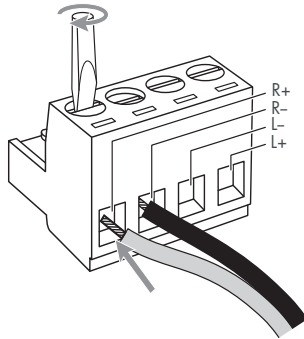
Verbinden Sie bei jeder Verstärkerkanalgruppe den linken Lautsprecher mit den mit LEFT gekennzeichneten Lautsprecheranschlüssen. Schließen Sie den rechten Lautsprecher an die mit RIGHT gekennzeichneten Lautsprecheranschlüsse an. Stellen Sie sicher, dass die positive Anschlussklemme des Lautsprechers mit der positiven Anschlussklemme am Verstärker und die negative Anschlussklemme des Lautsprechers mit der negativen Anschlussklemme am Verstärker verbunden wird.

HINWEIS: Achten Sie bitte darauf, dass die blanken Kabelenden vollständig an den Schraubklemmen untergebracht sind und somit das Berühren benachbarter Drähte oder Anschlüsse ausgeschlossen ist.

Anschluss über die Steckverbindung

Führen Sie die Kabel wie in der Abbildung dargestellt in den Steckverbinder. Ziehen Sie nach dem Zusammenstecken die Verschraubungen fest.

Achten Sie beim Anschließen auf die korrekte Polarität.



Technische Daten

Ausgangsleistung (20 Hz – 20 kHz, <math><0,03\%</math>, 8 Ohm)	100 Watt/Kanal
Gesamtklirrfaktor (20 Hz – 20 kHz, 8 Ohm)	<math><0,03\%</math>
Intermodulationsverzerrung (60 Hz : 7 kHz, 4:1)	<math><0,03\%</math>
Dämpfungsfaktor (20 Hz – 20 kHz, 8 Ohm)	200
Eingangsimpedanz/-empfindlichkeit	8,3 kOhm/1,25 Volt
Verstärkung	27,2 dB
Frequenzgang (+/- 1 dB)	10 Hz – 40 kHz
Geräuschspannungsabstand (IHF A)	105 dB
Übersprechen/Trennung	>70 dB
Lautsprecherimpedanz	Minimum 4 Ohm
Pegel (automatisches Einschalten) – bei allen Eingängen	Eingangssignal 5 mV
Spannungsversorgung	Europa: 230 Volt/50 Hz
Leistungsaufnahme	660 Watt Leerlauf: 84 Watt Standby: 10,8 Watt
Abmessungen (B x H x T)	431 x 144 x 449 mm
Nettogewicht	10,9 kg
Höhe des Frontpanels	3 U, 132,6 mm

Bei Störungen

Tritt eine scheinbare Fehlfunktion auf, sollten zuerst die nachstehend aufgeführten Punkte überprüft werden. Viele Probleme beruhen auf falschen Einstellungen der Bedienelemente oder fehlerhaften Anschlüssen. Lässt sich das Problem nicht beheben, wenden Sie sich bitte an Ihren autorisierten Rotel-Fachhändler.

Die Betriebsanzeige leuchtet nicht

Die RMB-1512 bekommt keinen Strom. Prüfen Sie, ob der POWER-Schalter an der Gerätefront gedrückt wurde (sich also in der Ein-Position befindet). Prüfen Sie die Netzanschlüsse an der Endstufe und der Wandsteckdose. Befindet sich der OFF/SIGNAL SENSE/12V TRIG-Wahlschalter in der SIGNAL SENSE-Position, so stellen Sie sicher, dass an den Eingängen ein Signal anliegt. Befindet sich dieser Schalter in der 12V TRIG-Position, so stellen Sie sicher, dass am 12V TRIG IN-Anschluss an der Geräterückseite ein Signal anliegt.

Kein Ton

Bekommt die Endstufe Strom und ist trotzdem kein Ton zu hören, prüfen Sie, ob die Protection-LEDs an der Frontseite leuchten. Falls ja, beachten Sie bitte die Hinweise unten. Falls nicht, prüfen Sie, ob alle Geräte richtig angeschlossen sind und die Einstellungen an den angeschlossenen Geräten richtig vorgenommen wurden.

Protection-LED leuchtet

Wurde die RMB-1512 von der Schutzschaltung abgeschaltet, beginnen die Protection-LEDs an der Gerätefront zu leuchten. Normalerweise passiert dies nur, wenn die Ventilationsöffnungen verdeckt sind, die Lautsprecher nicht richtig angeschlossen wurden oder die Endstufe überlastet wurde. Schalten Sie das System ab und warten Sie, bis sich die Endstufe abgekühlt hat. Drücken Sie den POWER-Schalter anschließend einmal ein und aus, um die Schutzschaltung zurückzusetzen. Ist die Störung nicht beseitigt oder tritt sie erneut auf, liegt das Problem im System oder in der Endstufe selber.

Diese Bedienungsanleitung entspricht dem technischen Stand bei Drucklegung. Änderungen in Technik und Ausstattung vorbehalten.

Información Importante Relacionada con la Seguridad

ADVERTENCIA: No hay componentes manipulables por el usuario en el interior del aparato. Cualquier operación de mantenimiento debe ser llevada a cabo por personal cualificado.

ADVERTENCIA: Para reducir el riesgo de que se produzca un incendio o una descarga eléctrica, asegúrese de que el aparato no esté expuesto a goteos ni salpicaduras y que no se coloquen objetos que contengan líquidos —copas, vasos— encima del mismo. No permita que ningún objeto extraño penetre en el interior del aparato. Si el aparato está expuesto a la humedad o algún objeto extraño penetra en su interior, desconecte inmediatamente el cable de alimentación de la red eléctrica. En caso de que fuera necesario, envíe el aparato a un especialista cualificado para su inspección y posterior reparación.

Lea todas las instrucciones del presente manual antes de conectar o hacer funcionar el aparato.

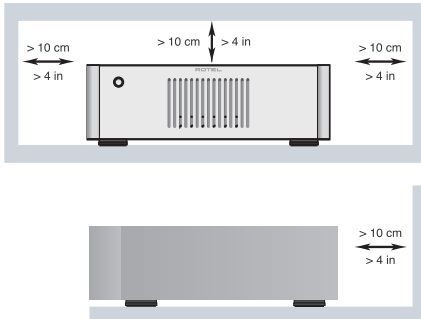
Conserve este manual cerca de usted para el caso de que necesite revisar las instrucciones de seguridad que se indican a continuación.

Tenga siempre en mente las advertencias y la información relativa a seguridad que figuran tanto en estas instrucciones como en el propio aparato. Siga al pie de letra todas las instrucciones relacionadas con el funcionamiento del mismo.

Limpie el exterior del aparato únicamente con una gamuza seca o un aspirador.

No utilice este aparato cerca de agua.

Debe dejar un mínimo de 10 centímetros de espacio libre alrededor del aparato.



No coloque nunca el aparato en una cama, un sofá, una alfombra o una superficie similar susceptible de bloquear las ranuras de ventilación. Si el aparato está ubicado en la estantería de una librería o un mueble, debe haber suficiente espacio a su alrededor y ventilación en el mueble para permitir una refrigeración adecuada.

Mantenga al aparato alejado de radiadores, estufas, cocinas o de cualquier otra instalación que produzca calor.

ADVERTENCIA: El conector del cable de alimentación del panel posterior hace las veces de dispositivo de desconexión de la red eléctrica. El aparato debe ubicarse en un área que permita acceder a dicho conector.

El aparato debe ser conectado únicamente a una fuente de alimentación del tipo y la tensión especificados en su panel posterior (120 V/60 Hz para EE.UU. y 230/50 Hz para los países de la Comunidad Europea).

Conecte el aparato a una toma de corriente eléctrica únicamente a través del cable de alimentación suministrado de serie o un equivalente exacto del mismo. No modifique de ningún modo dicho cable. Una clavija polarizada tiene dos patillas, una más ancha que la otra. Una clavija polarizada tiene dos patillas más una tercera para conexión a tierra. Tal configuración permite aumentar la seguridad durante el funcionamiento del aparato. No intente desactivar los terminales destinados a la conexión a tierra o polarización. Si la clavija suministrada con el aparato no se adapta a su toma de corriente, le rogamos que contacte con un técnico autorizado para que proceda a la sustitución de esta última. No utilice ningún tipo de cable de extensión.

La clavija principal del cable de alimentación hace las veces de elemento de desconexión del aparato. Con el fin de desactivar por completo el aparato de la red eléctrica, la mencionada clavija debería desconectarse de la toma de corriente eléctrica alterna. En este caso, el indicador luminoso de la posición de espera no se activará para indicar que el cable de alimentación está desconectado.

No haga pasar el cable de alimentación por lugares en que pueda ser aplastado, pinchado, doblado en ángulos críticos, expuesto al calor o dañado de algún modo. Preste particular atención al punto de unión entre el cable y la toma de corriente y también a la ubicación de esta última en el panel posterior del aparato.

El cable de alimentación debería desconectarse de la red eléctrica durante las tormentas o cuando el aparato no vaya a ser utilizado durante un largo período de tiempo.

Este aparato debe ser conectado a una toma de corriente eléctrica equipada con una conexión de protección a tierra.

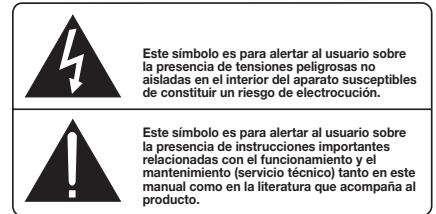
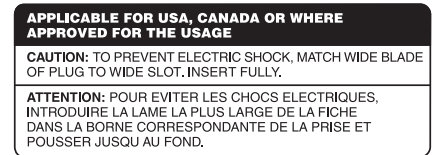
Utilice solamente accesorios especificados por el fabricante.

Utilice el aparato únicamente con muebles, soportes o estantes recomendados por Rotel. Sea cuidadoso cuando mueva el aparato ubicado en un mueble o soporte para evitar posibles daños provocados por el volcado del mismo.



Desconecte inmediatamente el aparato y envíe a un servicio técnico cualificado para su inspección/repelación si:















- El cable de alimentación o alguna clavija del mismo ha sido dañado
- Han caído objetos o se ha derramado líquido en el interior del aparato.
- El aparato ha sido expuesto a la lluvia.
- El aparato muestra signos de funcionamiento inadecuado.
- El aparato ha sido golpeado o dañado de algún modo.



Los productos Rotel han sido diseñados para satisfacer la normativa internacional relativa a la Restricción del Uso de Sustancias Peligrosas (RoHS) en equipos eléctricos y electrónicos y la eliminación de Desechos Referentes a Equipos Eléctricos y Electrónicos (WEEE). El símbolo con el cubo de la basura tachado indica el pleno cumplimiento de estas directrices y que los productos correspondientes deben ser reciclados o procesados adecuadamente en concordancia con las mismas.



Contenido

Figura 1: Controles y Conexiones	3
Figura 2: Ilustración de las Conexiones	4
Notas Importantes	5
Información Importante Relacionada con la Seguridad	23
Acerca de Rotel	24
Unas Palabras Sobre los Vatios	24
Para Empezar	25
Funciones y Prestaciones Relevantes	25
Algunas Precauciones	25
Colocación	25
Alimentación y Control	25
Toma de Corriente Eléctrica 	25
Conmutador e Indicador Luminoso de Puesta en Marcha 	26
Selector del Modo de Conexión/Desconexión Automática 	26
Entrada para Señal de Disparo de +12 V 	26
Salida para Señal de Disparo de +12 V 	26
Indicadores Luminosos de Protección 	26
Conexiones de Señal	26
Entradas RCA 	27
Enlace de las Entradas 	27
Conmutador de Funcionamiento en Modo Monofónico 	27
Controles de Nivel de la Señal de Entrada 	27
Salida de Señal para Enlace 	27
Cajas Acústicas	27
Selección de las Cajas Acústicas	27
Selección del Cable de Conexión de las Cajas Acústicas	27
Polaridad y Puesta en Fase	27
Conexión de las Cajas Acústicas 	28
Conexión Mediante Terminales Convencionales 	28
Conexión Mediante Regleta 	28
Problemas y Posibles Soluciones	28
El Indicador Luminoso de Puesta en Marcha/Standby No Se Activa	28
No Hay Sonido	28
Los Indicadores Luminosos de Protección Están Activados	28
Características Técnicas	29

Acerca de Rotel

Nuestra historia empezó hace casi 50 años. A lo largo de todas estas décadas, hemos recibido cientos de premios por nuestros productos y satisfecho centenares de miles de clientes que se toman muy en serio, al igual que usted, sus momentos de ocio.

Rotel fue fundada por una familia cuyo entusiasta interés por la música le condujo a diseñar y construir componentes de Alta Fidelidad sin ningún tipo de compromiso. Esta pasión ha permanecido inalterada durante todo este tiempo, hasta el punto de que el objetivo de los fundadores de la compañía -proporcionar productos de la máxima calidad a melómanos y audiófilos independientemente de cuales sean sus posibilidades económicas- es compartido por todos sus empleados.

Los ingenieros de Rotel trabajan como un equipo compacto, escuchando y llevando a cabo el ajuste fino de cada nuevo producto hasta que satisface de manera exacta los estándares de calidad musical para los que fue diseñado. Para lograrlo, disponen de la máxima libertad para escoger los mejores componentes allí donde se encuentren. Le sorprenderá agradablemente encontrar

exquisitos condensadores procedentes del Reino Unido y Alemania o semiconductores de Japón o Estados Unidos, mientras que los transformadores toroidales de potencia son construidos en la propia factoría de Rotel.

Todos nosotros nos preocupamos por nuestro entorno. Y a medida que se producen y posteriormente desechan más y más aparatos electrónicos, para un fabricante resulta especialmente importante hacer todo lo que le sea posible para poner a punto productos que tengan un impacto mínimo en los vertederos de basura y las capas freáticas.

En Rotel estamos orgullosos de contribuir con nuestra parte. Hemos reducido el contenido en plomo de nuestros componentes electrónicos utilizando una soldadura RoHS especial, mientras que nuestros nuevos amplificadores en Clase D (que no digitales) son hasta cinco veces más eficientes que nuestros diseños tradicionales a la vez que siguen ofreciendo una excelente dosis de potencia y prestaciones. La temperatura de funcionamiento de estos productos es baja y la energía que desperdician es mínima, a la vez que son amables con el medio ambiente e incluso proporcionan un sonido superior.

Finalmente, queremos que sepa que hemos impreso este catálogo en papel reciclado.

Aunque entendemos que estas últimas consideraciones son sólo unos primeros pasos, también tenemos muy claro que ello no quita que sean importantes. Y continuaremos buscando nuevos materiales y métodos de fabricación para conseguir que nuestros procesos de fabricación sean lo más limpios y ecológicos posible.

Le agradecemos que haya adquirido este producto. Estamos seguros de que le proporcionará largos años de disfrute en la escucha de sus grabaciones musicales favoritas.

Unas Palabras Sobre los Vatios

La potencia de salida de la RB-1512 es de 100 vatios continuos por canal con los doce canales funcionando simultáneamente a plena potencia.

Rotel ha elegido especificar de este modo la potencia de salida porque su dilatada experiencia le permite afirmar que es la que proporciona el valor más fiel de la capacidad de entrega de potencia tanto de una electrónica integrada como de una etapa de potencia.

Cuando compare las especificaciones correspondientes a distintos productos, debería tener en cuenta que la potencia de salida es a menudo expresada de otras maneras, por lo que es muy posible que la comparación pura y dura entre cifras no proceda.

Por ejemplo, es posible que la potencia de salida se dé con un único canal en funcionamiento, por lo que de este modo el valor pertinente sea el máximo posible. Las altamente reguladas fuentes de alimentación de los amplificadores en Clase D de Rotel aseguran que estos últimos suministrarán su potencia máxima (nominal) a uno o a todos los canales disponibles.

El valor de la impedancia de una caja acústica indica la resistencia eléctrica o carga que presenta cuando es conectada al amplificador

y que por regla general suele ser de 8 ó 4 ohmios. Cuanto menor sea la impedancia, más potencia necesitará la caja acústica para ser debidamente excitada. Así, una caja acústica con una impedancia de 4 ohmios necesitará el doble de potencia que otra cuya impedancia sea de 8 ohmios.

En consecuencia, lo ideal sería que el amplificador fuese capaz de doblar su potencia de salida con cargas de 4 ohmios, lo que significa que 100 vatios sobre una carga de 8 ohmios deberían convertirse en 200 vatios sobre 4 ohmios. La utilización de cajas acústicas de menor impedancia implica una mayor demanda de energía a la fuente de alimentación del amplificador por cuanto las mismas drenarán más corriente y desprenderán más calor.

No obstante, los amplificadores Rotel están diseñados para funcionar con cualquier impedancia de valor comprendido entre 4 y 8 ohmios y con todos los canales excitados a plena potencia. Es precisamente porque el diseño de los amplificadores Rotel está optimizado para que trabajen con todos los canales excitados que podemos especificar la verdadera potencia de salida para todos los canales disponibles.

Esto también puede ser importante en términos de disfrute puro y duro. Cuando visionamos películas, es idóneo disponer de un amplificador que sea capaz de hacer trabajar simultáneamente todos sus canales a plena potencia... ¡sobre todo en el caso de la explosión de un volcán!

Para Empezar

Gracias por haber adquirido la Etapa de Potencia de Doce Canales Rotel RMB-1512. Utilizada en un sistema de reproducción musical o audiovisual de alta calidad, le permitirá disfrutar durante muchos años de sus composiciones musicales y películas favoritas.

La RMB-1512 es una sofisticada etapa de potencia de doce canales capaz de satisfacer las aplicaciones más exigentes. El uso de dispositivos de salida discretos, una generosa fuente de alimentación, componentes electrónicos de primera calidad y el exclusivo Diseño Equilibrado de Rotel aseguran una soberbia calidad sonora. Una elevada capacidad de entrega de corriente hace posible que la RMB-1512 pueda atacar con extrema facilidad las cajas acústicas más difíciles del mercado en las más variadas condiciones de trabajo.

Funciones y Prestaciones Relevantes

- Etapa de potencia de doce canales con salida de 100 vatios por canal sobre 8 ohmios.
- Control del nivel de entrada en el panel frontal.
- Configuración de arranque/desconexión seleccionable por el usuario: manual, automática por detección de señal o a distancia por una señal de disparo de 12 V.
- Cauce de protección con indicadores luminosos en el panel frontal.
- Enlace de la señal de entrada, conmutador de conexión a modo monofónico y conectores de enlace de salida para maximizar la configuración de cada sistema.

Algunas Precauciones

Le rogamos que lea cuidadosamente el presente manual de instrucciones. Además de las instrucciones básicas de instalación y puesta a punto de la RMB-1512, incluye información de gran valor sobre las diferentes configuraciones que permite el aparato, así como información general que le ayudará a optimizar las prestaciones de su sistema. Le rogamos asimismo que contacte con su distribuidor autorizado de productos Rotel para cualquier duda o consulta. No le quepa la menor duda de que todos sus comentarios y observaciones serán bien recibidos.

Guarde el embalaje de la RMB-1512 y todo el material en él contenido para un posible uso futuro del mismo. El embalaje o transporte de la RMB-1512 en condiciones diferentes de las originales puede dañar seriamente el aparato.

Rellene y envíe la tarjeta de garantía suministrada junto con la RMB-1512. Asegúrese asimismo de mantener en su poder la factura de compra puesto que la misma constituye el mejor recordatorio de la fecha de compra, un dato esencial en caso de que necesitara asistencia técnica durante el período de garantía.

Colocación

Coloque la RMB-1512 sobre una superficie sólida y nivelada a la vez que alejada de la luz solar, el calor, la humedad y las vibraciones.

No coloque otros aparatos u objetos encima de la RMB-1512. No permita que penetre ningún líquido en el interior del aparato.

Asimismo, tenga en cuenta el peso del amplificador en el momento de seleccionar una ubicación para el mismo. Asegúrese de que el estante o mueble elegido pueda soportarlo sin problemas.

La RMB-1512 genera calor durante su funcionamiento normal. No bloquee las aperturas de ventilación. Deje un mínimo de 10 cm de espacio libre alrededor del aparato. En caso de que lo instale en un mueble, asegúrese de que éste disponga de la ventilación adecuada.

Alimentación y Control

Toma de Corriente Eléctrica

La RMB-1512 ha sido configurada en fábrica para que trabaje con la tensión eléctrica alterna correcta que corresponda al país en que usted la haya comprado (120 voltios/60 Hz en Estados Unidos o 230 voltios/50 Hz en Europa). Dicha configuración está indicada en un lugar visible del panel posterior del aparato. La RMB-1512 debe ser conectada a una toma de corriente eléctrica polarizada de tres patillas.

La RMB-1512 se suministra de serie con el cable de alimentación adecuado. Utilice únicamente dicho cable o un equivalente exacto del mismo. No modifique el cable de alimentación suministrado de serie. No utilice ningún tipo de cable de extensión.

Asegúrese de que el Conmutador de Puesta en Marcha del panel frontal de la RMB-1512 esté desconectado (es decir hacia fuera) y a continuación conecte uno de los extremos del cable de alimentación al receptáculo correspondiente del panel posterior del aparato. Conecte el otro extremo a una toma de corriente eléctrica alterna adecuada.

Si va a estar fuera de su casa durante un largo período de tiempo, le recomendamos, como precaución básica, que desconecte su amplificador (así como el resto de componentes de audio y vídeo de su equipo) de la red eléctrica.

Conmutador e Indicador Luminoso de Puesta en Marcha 1

El Conmutador de Puesta en Marcha está ubicado en la parte izquierda del panel frontal. Púlselo para poner en marcha la RMB-1512 (o para activar cualquiera de los modos de puesta en marcha automática opcionales).

El indicador luminoso situado alrededor del conmutador se activará, indicando que el amplificador está plenamente operativo. Para desactivar el aparato, pulse de nuevo el botón a fin de que éste regrese a su posición inicial.

Selector del Modo de Conexión/Desconexión Automática 7

La RMB-1512 ofrece tres opciones diferentes para su activación/desactivación manual o automática. Estos modos pueden seleccionarse mediante un conmutador deslizante de tres posiciones situado en el panel posterior. Las opciones disponibles son las siguientes:

- **Con el conmutador en la posición OFF**, el amplificador es conectado/desconectado manualmente utilizando el conmutador de puesta en marcha del panel frontal. Utilice este modo si va a usar una toma de corriente eléctrica alterna conmutada para controlar el envío de señal de alimentación al amplificador.
- **Con el conmutador en la posición SIGNAL SENSE (“DETECCIÓN DE SEÑAL”)**, el amplificador se activará automáticamente cuando detecte una señal en sus entradas. Al cabo de varios minutos sin señal en sus entradas, el amplificador se situará en el modo de espera. El conmutador de puesta en marcha del panel frontal tiene prioridad sobre esta función. Debe estar en la posición ON para que la detección de señal funcione. El cambio de este conmutador a OFF interrumpe el flujo de señal de alimentación al amplificador independientemente de que haya o no una señal presente en las entradas del mismo.
- **Con el conmutador en la posición 12V TRIG**, el amplificador es conectado automáticamente cuando se aplica una señal de disparo de 12 voltios en la toma 12V TRIG situada a la izquierda de dicho conmutador. Cuando no haya ninguna señal en la toma de +12 V, el amplificador se situará en el modo de espera (“standby”). El CONMUTADOR DE PUESTA EN MARCHA del panel frontal tiene prioridad sobre esta función. Debe estar en la posición ON para que la señal de disparo de +12V funcione. Si el citado conmutador se sitúa en la posición OFF, se interrumpirá el suministro de señal de alimentación al amplificador independientemente de que haya o no una señal de disparo.

Entrada para Señal de Disparo de +12 V 9

Se trata de una toma de entrada para conectar los cables que transporten una señal de disparo de +12 voltios procedente de un preamplificador o procesador de sonido envolvente Rotel destinada a activar o desactivar la etapa de potencia.

La toma TRIGGER INPUT acepta cualquier señal de control (continua o alterna) de valor comprendido entre 3 y 30 voltios. Utilice un cable

terminado en miniclavijas de 3'5 mm en sus dos extremos. La señal de +12 V continuos aparecerá en la “punta” del conector.

Salida para Señal de Disparo de +12 V 9

La toma designada por OUT sirve para enviar la señal de arranque a distancia a un segundo amplificador Rotel. Cualquier señal de disparo de 12 V presente en la toma de entrada (IN) será enviada a la toma de salida (OUT).

Indicadores Luminosos de Protección 2

La RMB-1512 incorpora un circuito de protección térmica que la protege frente a cualquier daño potencial que pudiera producirse en caso de funcionamiento en condiciones extremas o de que hubiese fallos en la misma. Al contrario de lo que sucede en muchos diseños de su clase, la circuitería de protección de la RMB-1512 es completamente independiente de la señal de audio y por tanto no tiene el más mínimo impacto en las prestaciones musicales. De este modo, los circuitos de protección monitorizan la temperatura de los dispositivos de salida y desconectan el amplificador si la temperatura de funcionamiento excede los límites de seguridad prefijados.

Además, la RMB-1512 incluye una protección frente a demandas excesivas de corriente que se activa únicamente cuando la impedancia de carga (es decir de las cajas acústicas) se sitúa en un valor muy bajo.

En el caso de que se produzca una condición de funcionamiento defectuoso, el aparato se desconectará y uno o más de los INDICADORES LUMINOSOS DE PROTECCION del panel frontal se activarán. Si esto sucede, desconecte por completo el amplificador e intente identificar y corregir el problema. Cuando vuelva a poner de nuevo en marcha el aparato, el circuito de protección se reinicializará automáticamente y los INDICADORES LUMINOSOS DE PROTECCION deberían desactivarse.

En la mayoría de casos, la circuitería de protección se activa como consecuencia de una condición de funcionamiento incorrecto, como por ejemplo un cortocircuito de los cables de conexión a las cajas acústicas o una ventilación inadecuada que provoque el sobrecalentamiento del aparato. En algunos casos muy concretos (y raros), una impedancia de las cajas extremadamente baja o muy reactiva podría provocar la activación de los circuitos de protección.

NOTA: Los indicadores luminosos de protección también se activarán cuando se esté utilizando el sistema de arranque por señal de disparo de 12 V y el amplificador esté en el modo de espera (“standby”).

Conexiones de Señal

La RMB-1512 incorpora conexiones de entrada estándar no balanceadas (con terminales RCA, que son los habituales en la inmensa mayoría de componentes de audio).

Además de los seis grupos de entradas estereofónicas designados por INPUT 1 a INPUT 6, hay una pareja de entradas llamada LINK IN. Hay también un par de conexiones de salida para enlace SIGNAL OUTPUT LINK que envían a otro componente de audio la señal de entrada conectada a las entradas LINK IN.

Adicionalmente, la señal de entrada conectada a los componentes LINK IN puede ser automáticamente enlazada a las entradas correspondientes a cualquiera de los canales 1 a 6 (es decir, a las INPUT 1-6), por lo que no será necesario disponer de un cable de señal de entrada separado para dichos canales en, por ejemplo, sistemas de gran envergadura en los que la RMB-1512 sea utilizada para excitar varias parejas de cajas acústicas.

Entradas RCA

Ver Figura 2

Hay dos entradas RCA para cada una de las seis parejas de canales de amplificación de la RMB-1512. Estas entradas RCA aceptan señales de audio procedentes de preamplificadores o procesadores de sonido envolvente. Para conseguir las mejores prestaciones posibles, utilice únicamente cables de interconexión de alta calidad.

Para cada pareja de canales de amplificación, conecte la salida correspondiente al canal izquierdo de su preamplificador a la ENTRADA IZQUIERDA ("LEFT") de la RMB-1512. Asimismo, conecte la salida correspondiente al canal derecho de su preamplificador a la ENTRADA DERECHA ("RIGHT") de la RMB-1512. Asegúrese de que el conmutador deslizante de entrada ubicado a la derecha de las entradas RCA esté situado en la posición STEREO.

Enlace de las Entradas

Si lo desea, puede enlazar las señales correspondientes a cualquiera de los grupos de entrada 1-6 desplazando a la posición LINK ("ENLACE") el conmutador deslizante de entrada situado debajo de cada par de entradas RCA. Una vez completado el enlace, no será necesario disponer de ninguna conexión de entrada para el grupo afectado. La señal de entrada procedente de las conexiones LINK IN es enviada al par de canales enlazados, permitiéndole a usted utilizar hasta doce canales de amplificación con una misma señal de entrada estereofónica.

Conmutador de Funcionamiento en Modo Monofónico

En el caso concreto de los grupos INPUT 1 e INPUT 2, el conmutador de entrada deslizante es desplazado a la posición MONO, la señal correspondiente a la entrada izquierda y/o derecha de un canal determinado es enviada a ambas cajas acústicas en forma monofónica.

Controles de Nivel de la Señal de Entrada

Seis controles –uno para cada par de canales de amplificación– situados en el panel frontal permiten realizar ajustes en el nivel de la señal de entrada. Dichos controles le permiten modificar la ganancia de los amplificadores para equilibrar el nivel de salida de distintas fuentes en un sistema completo. El control de nivel INPUT 1 cambia la ganancia de los canales INPUT 1, el control de nivel INPUT 2 cambia la ganancia de los canales INPUT 2 y así sucesivamente. Para ajustar estos controles, utilice un pequeño destornillador con punta plana. Gire el control en sentido horario para aumentar la ganancia y en sentido antihorario para reducirla.

Salida de Señal para Enlace

Esta pareja de conectores RCA puede ser utilizada para enviar señales de entrada no procesadas a otro componente de audio, por ejemplo para "encadenar" un amplificador adicional con el fin de atacar una segunda pareja de cajas acústicas. Las señales de entrada conectadas a los conectores LINK IN siempre estarán disponibles en estas salidas (designadas como LINK OUT). Por regla general, esta es

la configuración que se utiliza habitualmente cuando el amplificador es parte de un sistema multisala ("multiroom").

NOTA: Las señales de entrada presentes en las tomas LINK IN también pueden ser enlazadas a cualquiera de las entradas INPUT 1-6 situando el conmutador INPUT SELECT asociado a dicho par de entradas en la posición LINK ("ENLACE").

Cajas Acústicas

Ver Figura 2

La RMB-1512 incorpora seis grupos de terminales de conexión –uno para cada par de canales de amplificación– a cajas acústicas. Los doce canales disponibles pueden utilizarse en muchas y muy variadas configuraciones. El dibujo de las conexiones que hay en la Figura 2 muestra un posible ejemplo, concretamente las conexiones correspondientes a un sistema formado por seis cajas acústicas. En este caso, los seis canales sobrantes siguen estando disponibles para alimentar un máximo de seis cajas acústicas adicionales independientemente de que las mismas formen parte del equipo principal o sean independientes del mismo.

Selección de las Cajas Acústicas

La impedancia nominal de la(s) caja(s) acústica(s) conectada(s) a cada canal de la RMB-1512 no debería ser inferior a 4 ohmios. Cuando se ataca varias parejas de cajas acústicas conectadas en paralelo, la impedancia efectiva que "ve" el amplificador se divide por dos. Esto significa que, por ejemplo, cuando un amplificador excita dos parejas de cajas acústicas de 8 ohmios la impedancia vista por el mismo es de 4 ohmios. En consecuencia, cuando ataque varias cajas acústicas conectadas en paralelo debería utilizar cajas acústicas con una impedancia nominal igual o superior a 8 ohmios.

Selección del Cable de Conexión de las Cajas Acústicas

Para conectar la RMB-1512 a las cajas acústicas, utilice un cable de dos conductores perfectamente aislado. El tamaño y la calidad de dicho cable pueden tener un efecto audible sobre las prestaciones de la totalidad de su equipo. Un cable de conexión de calidad estándar funcionará pero es posible que provoque una disminución de la potencia de salida o una atenuación de la respuesta en graves, en particular si la longitud del mismo es elevada. En general, un cable más consistente mejorará el sonido. Para conseguir unas prestaciones óptimas, debería considerar la compra de cables de alta calidad especialmente diseñados para aplicaciones de audio. Su distribuidor de productos Rotel autorizado debería estar en condiciones de ayudarle a seleccionar los cables de su equipo.

Polaridad y Puesta en Fase

La polaridad, es decir la orientación positiva/negativa de las conexiones correspondientes a cada caja acústica y a la unión con el amplificador, debe ser coherente, de modo que todas las cajas acústicas del sistema estén en fase. Si la polaridad de una conexión es invertida por error, se producirá una fuerte caída de la respuesta en graves, así como una degradación perceptible de la imagen estereofónica global. Todos los cables están marcados de manera que usted pueda identificar fácilmente los dos conductores. Puede haber marcas o líneas impresas en el revestimiento aislante de un conductor. El cable también puede presentar un claro aislamiento al incorporar conductores de distintos colores (cobre y plata). También puede haber

indicaciones de polaridad impresas en el revestimiento aislante. Identifique los conductores positivos y negativos y sea coherente con cada una de las conexiones del amplificador y las cajas acústicas.

Conexión de las Cajas Acústicas

Ver Figura 2

Lleve los cables desde la RMB-1512 hasta las cajas acústicas. Procure que los mismos tengan la longitud suficiente para que usted pueda mover los componentes del equipo y acceder sin ninguna restricción a los terminales de conexión de aquéllas.

La RMB-1512 incluye dos pares de terminales de conexión codificados en color –uno para la caja acústica izquierda y otro para la caja acústica derecha- para cada grupo de canales de amplificación. Las etiquetas situadas sobre los conectores muestran las conexiones adecuadas para las cajas acústicas que se utilicen. Estos terminales de conexión aceptan cable pelado, clavijas o incluso conectores de tipo banana (excepto en los países de la Comunidad Europea, donde su empleo no está permitido).

La RMB-1512 también incluye un conector de tipo regleta para cajas acústicas que facilita el conexionado en instalaciones personalizadas ("custom"). Si lo desea, usted puede preparar el citado conector antes de instalar el amplificador. Dicho conector está conectado en paralelo con los terminales de salida convencionales.

NOTA: El texto que sigue describe la realización de las conexiones mediante terminales convencionales y de tipo regleta. NO utilice simultáneamente ambos métodos para conectar varias cajas acústicas.

Conexión Mediante Terminales Convencionales

Si usted está utilizando conectores de tipo banana, únalos primero a los cables y a continuación insértelos en la zona posterior de los terminales de conexión. En cualquier caso, las tuercas de fijación de los terminales de fijación deberían bloquearse girándolas en sentido horario.

Si está utilizando terminales de tipo clavija, conéctelos en primer lugar a los cables. Si está colocando directamente cable pelado en los terminales de conexión, separe los cables correspondientes a cada conductor y quite la parte superior del revestimiento aislante. Asimismo, asegúrese de no cortar ninguno de los conductores propiamente dichos. Libere (girándolas en sentido contrario de las agujas del reloj) las tuercas de fijación y a continuación coloque las clavijas alrededor de los terminales de conexión o el cable pelado en el orificio transversal que hay en los mismos. Gire en sentido horario las tuercas de fijación para sujetar firmemente en su lugar la clavija o el cable de conexión.

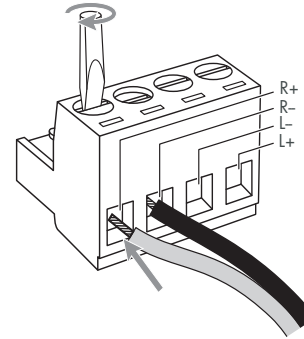
Para cada grupo de canales, conecte la caja acústica izquierda al par de terminales de conexión a cajas designados por LEFT. Haga lo propio con la caja acústica derecha y el par de terminales RIGHT. Siga las etiquetas impresas situadas justo encima de los conectores. Asegúrese de que el terminal positivo de cada caja acústica sea conectado al terminal positivo del amplificador y que el terminal negativo de cada caja acústica sea conectado al terminal negativo del amplificador.

NOTA: Asegúrese de que no haya restos de cable susceptibles de tocar los cables o conductores adyacentes.

Conexión Mediante Regleta

Conecte los cables de conexión a cajas tal y como se muestra en la ilustración. Inserte el cable en la abertura y gire el tornillo correspondiente para fijarlo sólidamente en su sitio.

Asegúrese en todo momento de mantener la correcta polaridad de las conexiones.



Problemas y Posibles Soluciones

La mayoría de dificultades que suelen producirse en los sistemas de audio son el resultado de conexiones realizadas incorrectamente o ajustes inapropiados. En caso de que se encuentre con algún problema, aísle en primer lugar el área afectada, compruebe los ajustes realizados, determine la causa del fallo y haga los cambios necesarios. Si se ve incapaz de hacer funcionar de nuevo la RMB-1512, considere las sugerencias que le damos para las siguientes condiciones:

El Indicador Luminoso de Puesta en Marcha/Standby No Se Activa

No entra corriente eléctrica en la RMB-1512. Compruebe las conexiones relativas al suministro de señal eléctrica tanto del amplificador como de su propia casa (red eléctrica). Compruebe el conmutador de puesta en marcha del panel frontal. Asegúrese de que esté situado en la posición ON. Si utiliza una señal de disparo de 12 V para la puesta en marcha de la RMB-1512, asegúrese de que haya una señal de dicha clase en el conector TRIG IN del panel posterior del aparato.

No Hay Sonido

Si el amplificador recibe señal eléctrica pero no produce sonido, compruebe el estado de los INDICADORES LUMINOSOS DE PROTECCION situados en su panel frontal. Si están activados, lea las líneas que siguen. En caso contrario, compruebe todas las conexiones de su equipo y los ajustes correspondientes a cada uno de los componentes del mismo.

Los Indicadores Luminosos de Protección Están Activados

Los INDICADORES LUMINOSOS DE PROTECCION del panel frontal se activan cuando los circuitos de protección de la RMB-1512 han interrumpido el funcionamiento normal del aparato. Por regla general, esto sólo suele ocurrir cuando las ranuras de ventilación están bloqueadas, cuando hay una conexión incorrecta de las cajas acústicas o después de un período de utilización en condiciones extremas. Desconecte su equipo y espere que el amplificador se enfríe. A continuación pulse repetidamente el conmutador de puesta

en marcha para reinicializar los dispositivos de protección. Si la anomalía no es corregida y vuelve a hacer acto de presencia, significa que hay un problema en su equipo o en el propio amplificador.

Características Técnicas

Potencia de Salida Continua <i>(20-20.000 Hz, 8 ohmios, THD menor del 0'03%)</i>	100 W/canal
Distorsión Armónica Total <i>(20-22.000 Hz, 8 ohmios)</i>	< 0'03%
Distorsión por Intermodulación <i>(60 Hz:7 kHz, 4:1)</i>	< 0'03%
Factor de Amortiguamiento <i>(8 ohmios)</i>	200
Sensibilidad/Impedancia de Entrada	1'25 V/8'3 kohmios
Ganancia	27'2 dB
Respuesta en Frecuencia	10-40.000 Hz,+/-1 dB
Relación Señal/Ruido <i>(norma IHF, ponderación A)</i>	105 dB
Diafonía/Separación entre Canales	mayor que 70 dB
Impedancia de las Cajas Acústicas	mínima de 4 ohmios
Nivel de Señal de Entrada para Arranque Automático <i>(todas las entradas)</i>	5 mV
Alimentación	Versión para EE.UU.: 120 voltios/60 Hz Versión para Europa: 230 voltios/50 Hz
Consumo	660 vatios En vacío: 84 vatios En standby: 10'8 vatios
Dimensiones <i>(An x Al x P)</i>	431x144x449 mm
Peso Neto	10'9 kg
Altura del Panel Frontal <i>(para montaje en rack)</i>	132'6 mm (3U)

Todas estas especificaciones son correctas en el momento de la impresión del presente manual de instrucciones.

Rotel se reserva el derecho a realizar modificaciones en las mismas sin aviso previo.

Belangrijke Veiligheidsinstructies

Waarschuwingen:

Laat u alstublieft het apparaat gesloten, er bevinden zich binnenin geen door u te bedienen of te herstellen onderdelen. Iedere reparatie dient door een gekwalificeerde technicus verricht te worden.

Om het risico op elektrische schokken of brand te vermijden, moet u zorgen dat het apparaat niet nat wordt. Zet dus geen objecten gevuld met water, b.v. een vaas bloemen, op het apparaat. Zorg er ook voor dat er geen voorwerpen in de behuizing terecht kunnen komen. Mocht het apparaat toch nat zijn geworden, of voorwerpen in de behuizing terecht zijn gekomen, ontkoppel dan meteen het toestel van het lichtnet en breng het naar een erkende audiotchnicus ter controle en/of eventuele reparatie.

Lees de gehele gebruiksaanwijzing. Voordat u met het apparaat gaat werken is het van groot belang dat u weet hoe u ermee om moet gaan en dat zo veilig mogelijk.

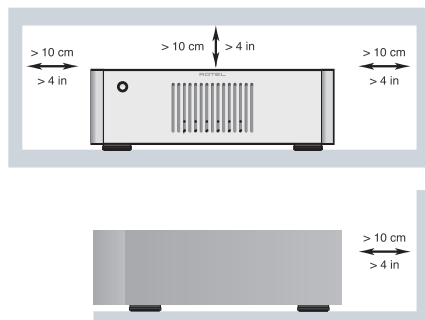
Bewaar deze gebruiksaanwijzing op een plek, die u zich na verloop van tijd nog weet te herinneren.

De waarschuwingen op het apparaat en in de gebruiksaanwijzing zijn belangrijk, sla ze niet in de wind.

Als het apparaat vuil wordt, stof het dan af met een zachte, droge doek, of maak gebruik van een stofzuiger. Gebruik nooit een oplosmiddel van welke soort dan ook.

Gebruik het apparaat niet op natte of vochtige plaatsen.

Het apparaat moet dusdanig gebruikt worden, dat een behoorlijke koeling niet in het gedrang komt. **Laat om het apparaat minstens een ruimte van 10cm. vrij.**



Gebruik het apparaat niet op: een bed, een sofa, een plaid of andere onregelmatige oppervlakken waardoor de ventilatiegaten geblokkeerd zouden kunnen worden. Ook het inbouwen in een te kleine ruimte kan een voldoende koeling in de weg staan.

Het apparaat moet verre gehouden worden van warmtebronnen zoals: radiatoren en kachels, maar ook van andere versterkers.

LET OP: Uiterst rechts op de achterzijde van het apparaat bevindt zich de lichtnet aansluiting. Zorg ervoor dat het apparaat zo is opgesteld dat u er te allen tijde bij kunt.

Het apparaat mag alleen aangesloten worden op het voltage, zoals aangegeven op de achterzijde. Hier in de Benelux 230V/50Hz.

Het apparaat dient alleen aangesloten te worden middels de bijgeleverde netkabel of een soortgelijk. Doe in ieder geval nooit iets met het netsnoer. Doe ook geen pogingen om de aarding of polariteit van het apparaat te wijzigen en gebruik geen verlengkabels.

De lichtnetstekker van het apparaat kan losgekoppeld worden. Om er echter zeker van te zijn dat hij echt losgekoppeld is, kunt u beter het lichtnetsnoer uit het muurcontact halen. Het stand-by lampje kan niet aan om u te tonen dat de versterker werkelijk van het lichtnet is verwijderd.

De lichtnetkabel dient zo neergelegd te worden, dat hij niet in het looppad ligt of geklemd kan worden tussen scherpe voorwerpen. Vooral de aansluitpunten zijn belangrijk: de aansluiting op de wandcontactdoos en daar waar de kabel op het apparaat wordt aangesloten.

Wanneer het apparaat voor langere tijd niet gebruikt wordt en tijdens onweer, dient de lichtnetkabel uit het lichtnet verwijderd te zijn.

Het apparaat dient op een stopcontact met randaarde gebruikt te worden.

Gebruik alleen die accessoires, die door de fabrikant aanbevolen worden.

Plaats het apparaat op een vast plat oppervlak, sterk genoeg om zijn gewicht te dragen. Vermijd verrijdbare instabiele opzetmeubels.



Het apparaat zal in service gegeven moeten worden wanneer één van de volgende situaties zich voordoet:

- Wanneer het netsnoer en/of stekker beschadigd zijn.
- Wanneer er toch voorwerpen/vloeistof in het apparaat terecht zijn gekomen.
- Als het apparaat in de regen heeft gestaan.
- Als het apparaat niet normaal functioneert of een duidelijk afwijkend gedrag vertoont.
- Wanneer het apparaat gevallen is en/of de kast beschadigd is.



Rotel Producten worden zo ontworpen dat zij voldoen aan de internationale regels betreffende de beperking van milieuvriendelijke grondstoffen die gebruikt kunnen worden in elektrische en elektronische apparatuur. Het symbool met de vuilcontainer met het kruis erdoor betekent voor u dat u, wanneer u dit apparaat wilt afvoeren, dit moet doen volgens de regels die daarvoor hier gelden.



Inhoud

Figuur 1: De bedieningsorganen en de aansluitingen	3
Figuur 2: Het aansluitschema	4
Héél belangrijk:	5
Belangrijke Veiligheidsinstructies	30
Wij van Rotel	31
Hoe zit het nou met die "Watten"?	31
Aan de slag met de RMB-1512	32
Zijn eigenschappen	32
Een paar voorzorgsmaatregelen	32
Een plek voor de versterker	32
Het aansluiten op het Lichtnet en de Bediening	32
De lichtmetaansluiting 10	32
De aan/uitschakelaar met bijbehorende indicator 1	32
De automatische aan/uit keuzeschakelaar 7	32
De "+12V Trigger" ingang 9	33
De "+12V Trigger" uitgang 9	33
De Beveiligingsaanduiding 2	33
De signaalverbindingen	33
De Cinchingangen 4	33
Het aaneenschakelen van de Ingangen 4	33
De Monoschakelaar 4	33
De Ingangsregelaars 3	34
De Aansluiting "LINK OUT" 6	34
De Luidsprekers	34
De luidsprekerkeuze	34
De luidsprekerkabelkeuze	34
Alles in fase	34
Het aansluiten van de luidsprekers 6	34
De draaipugaansluiting 6	34
De plugaansluiting 9	35
Wat te doen bij problemen?	35
De lichtnetindicator werkt niet	35
Geen geluid	35
Eén of meerdere beveiligingsindicatoren lichten op	35
Technische gegevens	35

Wij van Rotel

Onze geschiedenis begint bijna 50 jaar geleden. Gedurende die tijd mochten we honderden onderscheidingen ontvangen en hebben we honderdduizenden mensen, die hun thuisamusement serieus nemen – zoals u – gelukkig kunnen maken.

Rotel werd opgericht door een familie met een gepassioneerde betrokkenheid bij muziek, die hen leidde tot het produceren van geluidsapparatuur van onberispelijke kwaliteit. In de loop der jaren is die passie onveranderd gebleven en het familiedoel om audiofielen en muzikiefliefhebbers, ongeacht hun budget, topkwaliteit te bieden, wordt nog steeds door iedere Rotel-medewerker gesteund.

Rotel's technici werken als een hecht team al tweakend en luisterend totdat ieder nieuw product dat muzikale niveau heeft bereikt, dat hun bij de aanvang van het project voor ogen stond. Zij worden volkomen vrijgelaten in hun keuze van componenten, waar ze ook op de wereld vandaan moeten komen. In Rotel apparatuur kunt u dus condensatoren tegenkomen uit Duitsland en Engeland, of half geleiders uit Amerika en Japan. De ringkerntransformatoren komen echter altijd uit eigen huis.

We maken ons allemaal zorgen over het milieu. Daar er steeds meer elektronica-producten worden gefabriceerd en ook later weer worden afgedankt, is het voor een fabrikant van het grootste belang om er alles aan te doen, producten te vervaardigen die een zo min mogelijk negatieve impact hebben op natuur en grondwater.

Bij Rotel zijn we er trots op ons steentje te kunnen bijdragen. We hebben bijvoorbeeld het aandeel lood in onze elektronica aanzienlijk teruggebracht door over te stappen op een speciaal ROHS (Restriction of Hazardous Substances) soldeer, terwijl wij onze klasse D (niet de D van digitaal) versterkers vijfmaal zo efficiënt gemaakt hebben t.o.v. onze vroegere ontwerpen, met handhaving van vermogen en prestatie. Ze blijven koel, vermorsen vrijwel geen energie meer, zijn dus minder belastend voor het milieu en klinken nog beter ook!

Tussen twee haakjes, deze handleiding is gedrukt op hergebruikt papier.

Wij realiseren ons dat dit de eerste stapjes zijn, maar ze zijn voor ons zeer belangrijk en we blijven nieuwe wegen en materialen zoeken voor een schonere en meer "groene" productiewijze,

Door de aanschaf van dit product danken wij u voor het in ons gestelde vertrouwen en wensen wij u er veel en langdurig plezier mee.

Hoe zit het nou met die "Watten"?

Het uitgangsvermogen van de RMB-1512 is 100 watts per kanaal met alle kanalen tegelijkertijd volledig aangedreven.

Rotel heeft ervoor gekozen het vermogen op deze wijze te specificeren, omdat het de ervaring is dat, dat de meest waarheidsgetrouwe weergave van de vermogensprestaties van een versterker of receiver is.

Als u de producten van de diverse merken met elkaar vergelijkt, zult u ontdekken dat de vermogensgegevens meestal op andere en verschillende wijzen worden vermeld.

Zo kan, bij voorbeeld, het vermogen opgegeven worden tijdens het functioneren van slechts één kanaal, waardoor de cijfers ineens veel hogere waarden aangeven. De overgestabiliseerde voedingen van Rotel's klasse D geschakelde versterkers verzekeren u ervan dat het opgegeven vermogen altijd gehaald wordt, of nu één of alle versterkers gebruikt worden.

De hoogte van de impedantie van een luidspreker betekent de elektrische weerstand of belasting voor de aangesloten versterker, meestal 8Ω (Ohm) of 4Ω. Hoe lager de impedantie des te meer vermogen zal de versterker moeten leveren. In essentie vraagt een 4Ω luidspreker tweemaal zoveel vermogen als een 8Ω luidspreker.

Dus absoluut gesproken moet een versterker met een aangesloten luidspreker van 4Ω tweemaal zoveel vermogen leveren. Het opgegeven vermogen van 100 Watts bij een 8Ω belasting, moet dus 200 Watts zijn bij een luidspreker van 4Ω. Nog lagere impedanties zullen nog meer van een voeding eisen, omdat er dan weer meer stroom getrokken wordt, waardoor ook weer meer hitte afgegeven zal worden.

Rotel versterkers echter zijn ontworpen om met luidsprekers te werken tussen 4Ω en 8Ω op vol vermogen en met alle kanalen tegelijk aangestuurd. Omdat een Rotel-opzet te allen tijde is ontworpen om te functioneren met alle beschikbare kanalen tegelijk in bedrijf, is Rotel instaat om bij deze versterker het reële vermogen op te geven voor alle kanalen.

Deze opzet kan erg belangrijk zijn voor uw luisterplezier. Als u van een film aan het genieten bent, is het fijn om te weten dat de versterker op alle kanalen tegelijk, het volle vermogen kan leveren, vooral als er een vulkaan op uitbarsten staat!

Aan de slag met de RMB-1512

Wij danken u voor de aankoop van onze RMB-1512 12-kanalen eindversterker. Wij zijn ervan overtuigd, dat de muziek d.m.v. deze versterker ten gehore gebracht, voor u een jarenlange bron van plezier zal zijn.

De RMB-1512 is een hoogontwikkelde 12-kanalen eindversterker, voor het verrichten van zeer hoge prestaties in een audioketen. Digitale versterkertechniek, een gestabiliseerde voeding, eerste klas onderdelen en natuurlijk Rotel's "Balanced Design" concept staan borg voor een excellente geluidskwaliteit. Bovenstaande kenmerken maken de RMB-1512 tot de ideale kompaan voor moeilijk aan te sturen luidsprekereenheden.

Zijn eigenschappen

- Twaalf versterkerkanalen, met ieder een vermogen van 100 Watts aan 8Ω.
- Ingangsniveauregeling op de voorzijde
- Drie door gebruiker zelf in te stellen aan/uitschakelmogelijkheden: handmatig, automatisch bij signaal aanbod of d.m.v. een 12 volts "trigger" signaal.
- Beveiligingscircuit met aanduiding op de voorkant.
- Doorschakeling van de ingangssignalen, monoschakeling van de ingangssignalen en speciale uitgangen om het signaal door te kunnen schakelen naar andere apparatuur om uw installatie optimaal te kunnen configureren.

Een paar voorzorgsmaatregelen

Leest u vooral goed de gebruiksaanwijzing. Er staat behalve over het installeren en de bediening, belangrijke informatie in over de verschillende manieren waarop u de versterker in uw installatie kan inpassen, alsmede algemene richtlijnen om het maximale uit uw audio-installatie te halen. Mocht u, ondanks onze pogingen om het u zo duidelijk mogelijk te maken, toch nog vragen hebben aarzel dan niet om met uw Rotel-dealer contact op te nemen: hij heeft vast en zeker de antwoorden.

Bewaar als het even kan de verpakking. Altijd handig bij een eventuele verhuizing of wanneer het apparaat opgestuurd moet worden voor reparatie, want er is geen betere bescherming tijdens transport dan zijn eigen doos.

Dit zijn Rotel's algemene garantievoorwaarden: 5 jaar op de elektronische onderdelen, 2 jaar op de mechanische onderdelen en 1 jaar op een laserunit. Voor het claimen van garantie moet u wel in het bezit zijn van de originele aankoopfactuur. De garantie is niet overdraagbaar.

Een plek voor de versterker

Zet de RMB-1512 op een solide ondergrond, uit de zon en gevrijwaard van warmte, vocht en trillingen.

Zet geen andere apparaten of objecten op de RMB-1512. Voorkom dat vloeistof in de versterker terecht komt.

De RMB-1512 is een zwaar apparaat, overtuig u ervan dat de plank of het meubel waarop u de versterker neerzet het flinke gewicht kan torsen.

Zorg dat de RMB-1512 de ruimte heeft (± 10cm. rondom). De ventilatieopeningen aan de bovenkant moeten vrij zijn en de lucht moet onbelemmerd langs de versterker kunnen stromen.

Het aansluiten op het Lichtnet en de Bediening

De lichtmetaansluiting

De RMB-1512 is ingesteld op het lichtnetvoltage van het land waarin hij gekocht is. In uw geval dus 230 volts. U kunt het ingestelde voltage controleren op de achterkant van het apparaat. Deze versterker moet worden aangesloten op een randaardestopcontact.

Wij hebben het correcte netsnoer bij de versterker gedaan. Gebruik alleen dit snoer of een perfect equivalent. Gebruik NOOIT een verlengsnoer. U kunt een z.g. spanningsblok gebruiken, echter alleen indien dat geschikt is voor de som van de hoeveelheid stroom, die alle apparaten daarop aangesloten uit het lichtnet trekken.

Controleer even of de versterker echt uitstaat als u de verbinding met het lichtnet tot stand brengt.


Als u van plan bent om langdurig van huis te zijn, adviseren wij u uw *gehele* beeld en geluidsinstallatie (dus met deze versterker) van het lichtnet te ontkoppelen.


De aan/uitschakelaar met bijbehorende indicator

De aan/uitschakelaar vindt u links op de voorkant van de versterker onder de aanduiding "POWER". Wanneer u de versterker aan wilt zetten (of om één van de automatische aan/uit functies te activeren) drukt u deze schakelaar in.


Een ring rond deze schakelaar gaat nu aan ten teken dat de versterker aanstaat. Nogmaals deze schakelaar gebruiken zet het apparaat weer uit.

De automatische aan/uit keuzeschakelaar

U kunt deze versterker op drie manieren al dan niet automatisch aan/uit zetten. U kunt kiezen met de schakelaar  aan de achterzijde van de versterker uit de onderstaande opties:

- **Met deze schakelaar in de uit ("OFF") positie**, kunt u de versterker middels de schakelaar "POWER" op de voorzijde handmatig aan- en uitzetten. Gebruik deze manier ook wanneer u met een geschakeld stopcontact de versterker aan/uit wilt kunnen zetten.
- **Met deze schakelaar in de signaalaanbod ("SIGNAL SENSE") positie**, wordt de versterker automatisch aangeschakeld zodra er een signaal op de ingang komt. De versterker gaat weer uit ("STANDBY") wanneer de RMB-1512 gedurende enkele minuten geen signaal meer ontvangt. Het gebruik van de aan/uit schakelaar op de voorkant doet deze functie echter teniet. Deze schakelaar moet dus op aan ("ON") staan voor deze functie. Staat deze schakelaar op uit ("OFF") dan staat de versterker onder alle omstandigheden dan ook echt uit.
- **Met deze schakelaar in de "12V TRIG" positie**, wordt de versterker automatisch aangeschakeld wanneer er een 12 volt signaal op de 3.5mm "12 TRIG IN" mini-jackaansluiting , links van deze schakelaar, wordt gezet. Zodra het 12 volt signaal verdwijnt gaat de versterker direct uit. Ook deze "auto-aan/uit" functie werkt niet wanneer de "POWER" schakelaar op de voorzijde van de versterker niet is ingedrukt.

De "+12V Trigger" ingang

Op de 3.5mm plugaansluiting gemerkt "IN" moet u een schakelsignaal van +12 volts, afkomstig van een (Rotel) voorversterker of surround-processor, zetten om de versterker op afstand aan en uit te kunnen schakelen. Om deze functie te kunnen gebruiken moet de betreffende schakelaar  in de linker positie gezet worden.

Deze functie werkt op zowel gelijk- als wisselspanning en mag variëren tussen 3 en 30 volts. Gebruik voor deze functie een kabeltje met aan beide zijden een 3.5mm mini jackplug. Het signaal staat op de "tip" van het plugje.

De "+12V Trigger" uitgang

De 3.5mm aansluiting gemerkt "OUT" is om voorgenoemd schakelsignaal door te kunnen sturen naar een ander (Rotel) component dat op dezelfde wijze aan/uitgeschakeld kan worden. Op deze aansluiting staat alleen een triggersignaal als ook op de aansluiting "IN" een triggersignaal staat.

De Beveiligingsaanduiding

De RMB-1512 is uitgerust met een thermische beveiliging, welke de versterker behoedt voor schade veroorzaakt door foutief of extreem gebruik. Dit beveiligingscircuit werkt niet, zoals bij vele andere versterkers, afhankelijk van het signaal, dus heeft het geen invloed op de geluidsweergave. De beveiliging houdt continu de temperatuur in de gaten en schakelt de versterker uit wanneer deze te heet wordt.

Bovendien heeft deze versterker een stroombeveiligingscircuit dat hem beschermt tegen te lage luidsprekerimpedanties.

Mocht deze alarmsituatie zich voordoen, dan stopt de versterker met het produceren van geluid en één of meerdere van de beveiligingsindicatoren gaat branden. Gebeurt dit, schakel de versterker dan uit, laat hem gedurende enkele minuten afkoelen en probeer er ondertussen achter te komen wat de oorzaak van het probleem zou kunnen zijn en herstel de fout. Ieder stel kanalen is


voorzien van een eigen beveiligingsindicator, wat kan helpen bij het zoeken naar de fout. Wanneer u nu de versterker weer aanzet, zal het beveiligingscircuit zichzelf herstellen en gaat/n de indicator/en weer uit.

In de meeste gevallen wordt het beveiligingscircuit geactiveerd door een foutieve aansluiting, bv. sluiting in de luidsprekerbedrading, of slechte ventilatie bij een oververhitte situatie. Slechts in uitzonderlijke gevallen zal de impedantie (extreem laag) of de inductie (extreem hoog) van een luidspreker de oorzaak zijn van het ingrijpen van het beveiligingscircuit.

Extra informatie: De beveiligingsindicatoren gaan ook aan als de 12V aan/uitschakeling in gebruik is en de versterker uitstaat (in standby).

De signaalverbindingen

De RMB-1512 sluit u aan, zoals alle huiskamercomponenten, middels kabels met de bekende cinchpluggen.

Toegevoegd aan de zes stel ingangen is een stel genaamd "LINK IN" . Ook is er aan paar aansluitingen genaamd "LINK OUT", die het signaal dat staat op de ingangen "LINK IN" kan doorsturen naar een ander audiocomponent.

Ook kan het signaal dat staat op de twee "LINK IN" aansluitingen doorgesluisd worden naar één of meerdere van de ingangsstellen "INPUT 1-6" bv. in een groot systeem waarin de RMB-1512 wordt ingezet om meervoudige luidsprekerstellen aan te sturen. Voor een dergelijke verbinding zijn dus geen extra kabels benodigd.

De Cinchingangen

zie figuur 2

Er zijn twee cinchingangen voor ieder van de zes paar versterkers. Deze ingangen zijn bedoeld om te werken met signalen afkomstig van een voorversterker of een z.g. "surroundprocessor". Gebruik als het even kan kwaliteit verbindingskabels.

Sluit voor ieder paar versterkers de linker uitgang van uw voorversterker op een linker ingang (wit) van de RMB-1512 en de rechter uitgang op een rechter ingang (rood). Let erop dat de ingangsschakelaar van het betreffende stel ingangen in de positie "STEREO" staat.

Het aaneenschakelen van de Ingangen

U kunt paren ingangen (1-6) aan elkaar verbinden door de schakelaar van de betreffende ingang in de positie "LINK" te zetten. Wanneer u dat doet hoeft u voor dat kanaal geen ingangen aan te sluiten; het ingangssignaal op de ingangen "LINK IN" wordt nu doorgeschakeld naar ieder stel ingangen waarvan de schakelaar op "LINK" staat, waardoor u instaat wordt gesteld om zes paar versterkers van hetzelfde stereosignaal te voorzien.

De Monoschakelaar

Bij de groepen ingangen "INPUT 1 en 2" kunt u de schakelaar ook nog in de positie "MONO" zetten. U kunt dan het signaal in mono op de aangesloten luidsprekers aanbieden.

De Ingangsregelaars

Op de voorkant van de versterker bevinden zich 6 regelaars, voor elk versterkerpaar één. Met deze regelaars kunt u de versterkingsfactor instellen om de niveaus van de diverse componenten in uw systeem op elkaar aan te kunnen passen. De eerste regelaar bedient versterkerpaar 1, de tweede versterkerpaar 2 enz. Om deze regelaars te kunnen instellen kunt u een fittingschroevendraaier gebruiken. Naar rechts draaien verhoogt het niveau en naar links verlaagt het niveau.

De Aansluiting "LINK OUT"

Dit paar cinchaansluitingen kan gebruikt worden om het signaal aangeboden op de ingangen "LINK IN" onverwerkt door te sturen naar andere componenten, bv. voor doorschakeling naar een extra eindversterker voor het aansturen van nog een extra paar luidsprekers. Het is duidelijk dat dit soort mogelijkheden meestal gebruikt wordt in z.g. meerkamersystemen.

Extra informatie: Het signaal aangeboden op de ingangen "LINK IN" kan ook direct doorgelust worden naar de ingangsparen 1-6, door de schakelaar van het/de betreffende paar/paren in de positie "LINK" te zetten.

De Luidsprekers

zie figuur 2

De RMB-1512 heeft zes stel luidsprekeraansluitingen. Eén stel per versterkereenheid. De twaalf kanalen kunnen in meerdere configuraties gebruikt worden. Het aansluitingsschema van figuur 2 laat u slechts één voorbeeld zien van een standaard zes-luidsprekersysteem. In dit voorbeeld zijn de overige zes kanalen beschikbaar om, indien gewenst, nog zes luidsprekers aan te sturen, hetzij als extra luidsprekers bij de bestaande zes of volkomen onafhankelijk.

De luidsprekerkeuze

De totaalimpedantie van de luidsprekers die u op één uitgang van de RMB-1512 mag aansluiten is minimaal 4Ω. Wenst u op dezelfde uitgang parallel een tweede luidspreker aan te sluiten, dan wordt de totaalimpedantie altijd lager dan de laagste impedantie. Voorbeeld: wanneer u twee luidsprekers van 8Ω parallel wilt aansluiten dan "ziet" de versterker slechts een 4Ω belasting (het minimum). Wanneer u dus een tweede luidspreker op een uitgang wenst aan te sluiten, zorg dan dat de impedantie per speaker *nooit* lager is dan 8Ω.

De luidsprekerkabelkeuze

Om de volledige potentie van deze versterker te kunnen beleven adviseren wij u hoge kwaliteit luidsprekerkabel te gebruiken. Standaard tweeadrig draad werkt wel, maar, en u kunt dat geloven of niet, de kwaliteit van de kabel is echt van grote invloed op de totale prestaties van uw installatie, vooral bij grotere lengtes. Informeer eens bij uw Rotel leverancier over de diverse mogelijkheden betreffende kwaliteits luidsprekerkabel voor uw systeem.

Alles in fase

Het is niet alleen belangrijk dat u de luidsprekers met de juiste kanalen verbindt, (hiermee bedoelen wij links aan links en rechts aan rechts), maar ook dat u ze correct aansluit t.o.v. het signaal. Dat heet, de luidsprekers moeten "in fase" worden aangesloten. Zorg ervoor dat de + (rood) van alle speakers aan de + van de versterkeruitgangen is aangesloten en dus de - (zwart) van de speakers aan de - van

de versterkeruitgangen. Bij goede luidsprekerkabel is, om het u gemakkelijk te maken, de fase meestal aangeduid middels een tekst die op één van de twee aders is afgedrukt, of één van de twee geleiders is gemerkt met een kleur. Als u consistent die tekst of kleur op alle kanalen als plus heeft aangehouden, dan weet u dat u het goed gedaan heeft. Controle is dan ook niet meer noodzakelijk.

Het aansluiten van de luidsprekers

Zie figuur 2

Rol de kabels uit naar de luidsprekers. Gebruik genoeg lengte om eventueel bij calamiteiten de luidsprekers of de versterker te kunnen verschuiven.

De versterker heeft twee kleurgecodeerde luidsprekeraansluitingen per versterkereenheid. De genoemde connectoren kunnen aangesloten worden met kaal gestripte kabel, middels de bekende kabelvorkjes en met banaanpluggen, hoewel de laatste mogelijkheid binnen de Europese gemeenschap (officieel) niet mag.

De RMB-1512 is, parallel geschakeld aan de gewone luidsprekeruitgangen, uitgerust met speciale stereo luidsprekerplugaansluitingen. Op de (bijgeleverde) pluggen van deze aansluitingen kunt u de luidsprekerkabels voormonteren, erg makkelijk bij grote huisinstallaties.

Extra informatie: De hier onderstaande tekst beschrijft alle manieren waarop u luidsprekers op de RMB-1512 kunt aansluiten. Gebruik in ieder geval **NOOIT** de draaiplugaansluiting in combinatie met de plugsgewijze aansluiting.

De draaiplugaansluiting

Als u (tegen alle community-regels in toch) banaanpluggen wilt gebruiken, monteer de kabel dan op de pluggen voordat u ze in de aansluitingen steekt, u moet de draaipluggen van de versterker wel eerst helemaal aandraaien.

Het beste is om verbindingsvorkjes voor de luidsprekeraansluitingen te gebruiken. Wilt u echter de kabel direct aan de luidsprekeruitgang monteren, strip dan de juiste hoeveelheid isolatie van de kabel zonder het draad zelf af te snijden. Draai de plug los en plaats het verbindingsvorkje om de schacht of steek de afgestripte kabel door het vrijgekomen zijgat. Draai tenslotte de plug weer stevig vast.

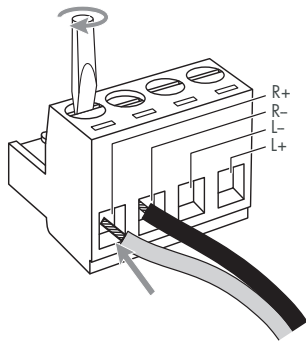
Sluit de linker (LEFT) luidspreker voor iedere groep versterkers aan op één van de linker luidsprekeraansluitingen en de rechter luidsprekers op een rechter (RIGHT) aansluiting. Let hierbij op de aanduidingen bij de aansluitingen. Houd ook de fase in de gaten: rood (+) op rood en zwart (-) op zwart.

Extra informatie: Let er vooral goed op dat verdwaalde draadjes van de ene luidsprekeraansluiting, de andere aansluiting niet kunnen raken!

De plugaansluiting

Sluit de luidsprekerkabel aan op de wijze als hieronder getoond. Steek de ader in het gat en draai met een fittingschroevendraaier de ader klem in de aansluiting.

Houd ook nu de kleurcode (fase) in de gaten.



Technische gegevens

Continu vermogen (20 – 20.000 Hz. < 0.03% vervorming en bij 8Ω)	100 Watts per kanaal
Totale harmonische vervorming (20-22 kHz. bij 8Ω)	< 0,03%
Intermodulatie vervorming (60 Hz : 7 kHz., 4 : 1)	< 0,03%
Dempingsfactor (20-20kHz. bij 8Ω)	200
Ingangse gevoeligheid/Impedantie	8,3kΩ/1,25V
Versterkingsfactor	27,2dB
Frequentiebereik (±1dB)	10Hz-40kHz
Signaal/ruisverhouding (IHF, A netwerk)	105dB
Overspraak/Kanaalscheiding	>70dB
Luidsprekerimpedantie	4Ω minimaal
Automatisch aan/uitniveau (op alle ingangen)	bij 5mV ingangssignaal
Lichtnetspanning	VS: 120V. 60Hz EU: 230V. 50Hz
Vermogensopname	660 Watts Inactief: 85 Watts Uit (standby): 10.8 Watts
Afmetingen (bxhxd)	431x144x449mm
Netto gewicht	10,9kg
Hoogte van het voorpaneel i.v.m. rackmontage	3U, 132,6mm

Wat te doen bij problemen?

De meeste problemen in geluidsinstallaties zijn het gevolg van slechte aansluitingen of het verkeerd gebruik van de knoppen en toetsen. Als u problemen tegenkomt probeer ze dan te lokaliseren: check eerst de bedieningsorganen maak eventueel de juiste correcties. Komt u er dan nog niet uit, probeer dan de onderstaande suggesties:

De lichtnetindicator werkt niet

Het is duidelijk: uw versterker ziet het lichtnet niet. Controleer of de aan/uitschakelaar "POWER" wel ingedrukt is en controleer tevens of de lichtnetkabel wel goed en stevig is aangesloten. Check ook even of er wel een +12 volts signaal staat op de "12V. TRIGGER IN" plug, wanneer u deze wijze van aan/uitschakelen gebruikt, of dat er wel signaal staat op de ingang als de "signal sense" aan/uitschakelmethode wordt gebruikt.

Geen geluid

De lichtnetindicator brandt wel, maar jammer genoeg weinig welluidende klanken. Controleer eerst de beveiligingsindicaties op de voorkant branden. Is dat inderdaad het geval, handel dan als onderstaand. Zo niet, check dan alle verbindingen en of de toetsen, schakelaars en knoppen van de andere apparatuur wel correct staan.

Eén of meerdere beveiligingsindicatoren lichten op

Als er een beveiligingsindicator oplicht is er iets loos. Er zijn nu drie mogelijkheden: de ventilatiegaten bovenop de versterker worden geblokkeerd met als gevolg oververhitting, er heerst kortsluiting bij een luidsprekeruitgang of er is een tijd lang extreem met de versterker aan de gang gegaan. Zet de versterker eerst uit, check dan de eerste twee mogelijkheden. De derde mogelijkheid weet u zelf het best. Wacht een paar minuten om de versterker af te laten koelen. Zet de versterker aan en meteen weer uit om het beveiligingscircuit de gelegenheid te geven zich te herstellen. Als u vervolgens de versterker weer aanzet moet het probleem zijn opgelost. Doet hij het nu nog niet, dan heeft u een fout ergens in het systeem, of een probleem met de versterker zelf. Raadpleeg uw leverancier.

Gegevens en ontwerp zijn voorbehouden.

Rotel houdt zich het recht voorbehouden om zonder mededeling vooraf verbeteringen aan te brengen.

Istruzioni importanti sulla sicurezza

ATTENZIONE: Non vi sono all'interno parti riparabili dall'utente. Per l'assistenza fate riferimento a personale qualificato.

ATTENZIONE: Per ridurre il rischio di incendio e di scossa elettrica non esponete l'apparecchio all'umidità o all'acqua. Non posizionate contenitori d'acqua, ad es. vasi, sull'unità. Evitare che cadano oggetti all'interno del cabinet. Se l'apparecchio è stato esposto all'umidità o un oggetto è caduto all'interno del cabinet, staccate il cavo di alimentazione dalla presa. Portare l'apparecchio ad un centro di assistenza qualificato per i necessari controlli e riparazioni.

Leggere attentamente tutte le istruzioni prima di collegare l'apparecchio alla rete di alimentazione ed utilizzarlo.

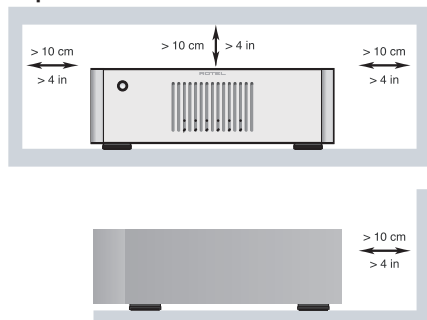
Conservate questo manuale per ogni riferimento futuro alle istruzioni di sicurezza.

Seguire attentamente tutte le avvertenze e le informazioni sulla sicurezza contenute in queste istruzioni e sul prodotto stesso. Seguire tutte le istruzioni d'uso.

Pulire il cabinet solo con un panno asciutto o con un piccolo aspirapolvere.

Non utilizzate questo prodotto vicino all'acqua.

Mantenere 10 cm circa di spazio libero da tutti i lati del prodotto.



Non posizionate l'apparecchiatura su un letto, divano, tappeto, o superfici che possano bloccare le aperture di ventilazione. Se l'apparecchio è posizionato in una libreria o in mobile apposito, fate in modo che ci sia abbastanza spazio attorno all'unità per consentire un'adeguata ventilazione e raffreddamento.

L'unità dovrebbe essere posta lontano da fonti di calore come termosifoni, termoconvettori, stufe, o altri apparecchi che producono calore.

ATTENZIONE: Il cavo di alimentazione sul pannello posteriore è il dispositivo principale di scollegamento dalla alimentazione. L'unità dovrebbe essere posizionata in uno spazio aperto che permetta il libero accesso al connettore del cavo di alimentazione.

L'apparecchiatura deve essere collegata esclusivamente ad una sorgente di alimentazione elettrica del tipo indicato sul pannello posteriore dell'unità. (USA: 120V/60Hz ; CE: 230 V/50Hz)

Collegate l'unità alla presa di alimentazione solo con il cavo che viene fornito o con uno equivalente. Non modificate il cavo in dotazione in alcun modo. Non cercate di eliminare la messa a terra o la polarizzazione. Se la spina del cavo ha difficoltà ad entrare nella presa di alimentazione, consultate un elettricista per una eventuale sostituzione della presa difettosa. Non utilizzate prolunghe.

La presa del cavo di alimentazione sul pannello posteriore è il dispositivo principale di scollegamento dalla alimentazione. Per scollegare completamente il prodotto dall'alimentazione, è necessario scollegare fisicamente il cavo di alimentazione dalla presa di corrente AC. Il LED indicatore standby sarà spento per indicare che non c'è alimentazione. Il dispositivo di scollegamento dovrebbe essere sempre facilmente accessibile.

Non fate passare il cavo di alimentazione dove potrebbe essere schiacciato, pizzicato, piegato ad angoli acuti, esposto al calore danneggiato. Fate particolare attenzione al posizionamento del cavo di alimentazione all'altezza della presa e nel punto in cui esce dalla parte posteriore dell'apparecchio.

Il cavo di alimentazione dovrebbe essere scollegato dalla presa quando l'apparecchiatura rimane inutilizzata per un periodo piuttosto lungo.

Questo apparecchio dovrebbe essere collegato ad una presa di corrente dotata di messa a terra.

Usate esclusivamente accessori indicati dal produttore.

Utilizzate solo stand, scaffali o supporti indicati da Rotel. Non posizionate il prodotto su un carrello mobile che potrebbe cadere.



Utilizzate cavi per i diffusori isolati in Classe 2 per garantire un adeguato isolamento e limitare eventuali rischi di shock elettrico.

L'apparecchiatura non deve più essere utilizzata, deve essere disattivata immediatamente e fatta ispezionare da personale qualificato quando:

- Il cavo di alimentazione o la spina sono stati danneggiati.
- Sono caduti oggetti, o del liquido è stato versato nell'apparecchio.
- L'apparecchiatura è stata esposta alla pioggia.
- L'apparecchiatura non sembra funzionare in modo normale.
- L'apparecchiatura è caduta, o è stata danneggiata in qualche modo.



APPLICABLE FOR USA, CANADA OR WHERE APPROVED FOR THE USAGE

CAUTION: TO PREVENT ELECTRIC SHOCK, MATCH WIDE BLADE OF PLUG TO WIDE SLOT, INSERT FULLY.

ATTENTION: POUR EVITER LES CHOCS ELECTRIQUES, INTRODUIRE LA LAME LA PLUS LARGE DE LA FICHE DANS LA BORNE CORRESPONDANTE DE LA PRISE ET POUSSER JUSQU'AU FOND.



Il fulmine inserito in un triangolo vi avverte della presenza di materiale non isolato, sotto tensione, ad elevato voltaggio all'interno del prodotto che può costituire pericolo di folgorazione.



Il punto esclamativo entro un triangolo equilatero vi avverte della presenza di istruzioni d'uso e manutenzione importanti nel manuale o nella documentazione che accompagna il prodotto.



I prodotti Rotel sono realizzati in conformità con le normative internazionali: Restriction of Hazardous Substances (RoHS) per apparecchi elettronici ed elettrici, ed alle norme Waste Electrical and Electronic Equipment (WEEE). Il simbolo del cestino con le ruote e la croce sopra, indica la compatibilità con queste norme, e che il prodotto deve essere riciclato o smaltito in ottemperanza a queste direttive.



Indice

Figure 1: Controlli e connessioni	3
Figure 2: Schema di collegamento	4
Note importanti	5
Istruzioni importanti sulla sicurezza	36
Alcune informazioni su Rotel	37
Alcune informazioni sui "Watt"	37
Per cominciare	38
Caratteristiche	38
Alcune precauzioni	38
Posizionamento	38
Collegamento Alla Rete e Controlli	38
Alimentazione a Corrente Alternata 10	38
Interruttore e Spia di Accensione 1	38
Selettore di modalità accensione/spengimento automatico 7	38
Ingresso Trigger 12V 9	39
Uscita Trigger 12V 9	39
Indicatori di protezione 2	39
Connessione dei segnali in ingresso	39
Ingressi RCA 4	39
Abbinamento degli ingressi 4	39
Commutatore Mono 4	39
Controlli livello di ingresso 3	39
Abbinamento uscite di segnale 6	40
Diffusori	40
Scelta dei diffusori	40
Scelta Dei Cavi	40
Polarità e fase	40
Connessione dei diffusori 6	40
Connessione con i connettori tradizionali 6	40
Connessione del connettore estraibile 6	41
Risoluzione dei problemi	41
L'indicatore di accensione Standby non si illumina	41
Nessun Suono	41
L'indicatore di Protezione è acceso	41
Caratteristiche tecniche	41

Alcune informazioni su Rotel

La nostra storia ha avuto inizio quasi 50 anni fa. Nel corso del tempo abbiamo ricevuto centinaia di riconoscimenti per la qualità dei nostri prodotti e soddisfatto centinaia di migliaia di audiofili ed amanti della musica. Proprio come voi!

Rotel è stata fondata da una famiglia la cui passione per la musica ha portato alla realizzazione di componenti alta fedeltà di qualità senza compromessi. Attraverso gli anni questa passione non si è affievolita e l'obiettivo di realizzare apparecchi di straordinario valore per veri audiofili, indipendentemente dal loro budget, continua ad essere condiviso da tutti coloro che vi lavorano.

I nostri progettisti operano in stretto contatto tra loro ascoltando ed affinando ogni nuovo prodotto fino a raggiungere determinati standard qualitativi. Viene loro offerta una totale libertà di scelta sui componenti per ottenere le migliori prestazioni possibili. Non è raro quindi trovare in un Rotel condensatori di fabbricazione inglese o tedesca, semiconduttori giapponesi o americani, con la sola eccezione dei trasformatori di alimentazione, prodotti come tradizione nelle nostre fabbriche.

Noi tutti abbiamo a cuore i temi dell'ambiente. Pensando che al termine della loro vita operativa gli apparecchi elettronici verranno dismessi, è molto importante per un costruttore responsabile fare tutto il possibile affinché abbiano un impatto ambientale il più possibile ridotto.

Alla Rotel siamo orgogliosi di fare la nostra parte riducendo il contenuto di piombo nei nostri apparecchi rispettando rigorosamente la normativa RoHS. Inoltre abbiamo sviluppato amplificatori finali in Classe D (non digitale) fino a cinque volte più efficienti rispetto ai modelli tradizionali a parità di potenza e prestazioni. Questi modelli non producono calore durante il funzionamento, dissipando quindi pochissima energia ed offrono un suono perfino migliore.

Da ultimo poi, abbiamo stampato queste pagine su carta riciclata.

Certamente si tratta di piccoli passi, ma importanti perché nella giusta direzione. Ed è nostra intenzione proseguire, cercando di migliorare i processi produttivi ed utilizzare materiali sempre più rispettosi dell'ambiente.

Noi tutti di Rotel vi ringraziamo per aver acquistato questo prodotto che, siamo sicuri, vi accompagnerà per molti anni di puro divertimento e soddisfazione.

Alcune informazioni sui "Watt"

L'uscita di potenza del RMB-1512 è di 100W per ogni canale, con tutti e dodici i canali in funzione a piena potenza.

Rotel ha scelto di indicare la potenza di uscita in questo modo perché nella sua esperienza è il valore più veritiero della effettiva capacità di erogazione del sintoamplificatore o amplificatore.

Quando confrontate le caratteristiche tecniche di diversi prodotti, dovrete tenere conto del fatto che la potenza di uscita viene spesso indicata in vari modi, perciò potreste ritrovarvi a fare confronti con dati discordanti.

Per esempio, la potenza di uscita potrebbe essere indicata in riferimento a due soli canali in funzione, dando l'impressione di essere quindi più elevata. Gli stadi di alimentazione ad elevate prestazioni degli amplificatori Rotel assicurano che la potenza specificata per uno o entrambi i canali sia quella effettiva.

Il valore dell'impedenza del diffusore indica la resistenza elettrica o carico che offre quando è collegato all'amplificatore, normalmente è pari a 8 o 4 ohm. Più bassa è l'impedenza, maggiore sarà la potenza richiesta dai diffusori. Un diffusore da 4 ohm richiederà il doppio della corrente di uno da 8 ohm.

Perciò, idealmente, l'amplificatore dovrebbe erogare il doppio della potenza con carico da 4ohm – un valore di 100W su di un carico di 8ohm dovrebbe diventare 200W su 4ohm. Utilizzando diffusori con impedenza minore si richiede un grande lavoro allo stadio di alimentazione dell'amplificatore, poiché la corrente richiesta sarà molto maggiore e dovrà dissipare molto più calore.

Comunque, gli amplificatori Rotel sono progettati per lavorare con diffusori con impedenza compresa tra 8 e 4 ohm, e con

tutti i canali in funzione a piena potenza. Poiché il design dei prodotti Rotel è ottimizzato per l'uso con tutti i canali in funzione contemporaneamente, Rotel è in grado di specificare la potenza effettiva erogata per entrambi i canali.

Questo può essere rilevante anche per il vostro godimento del sistema: quando guardate un film, è bello avere un amplificatore in grado di riprodurre una traccia a piena potenza su tutti i canali allo stesso tempo, specialmente nel caso dell'eruzione di un vulcano!

Per cominciare

Grazie per aver acquistato il finale di potenza a dodici canali Rotel RMB-1512. Quando utilizzato in un impianto hi-fi di alta qualità o in un sistema home theater il vostro amplificatore Rotel vi garantirà numerosi anni di intrattenimento musicale.

Il RMB-1512 è un finale a dodici canali ad alta potenza in grado di offrire altissime prestazioni sonore. Uno stadio di alimentazione sovradimensionata, componenti selezionati e l'applicazione della filosofia Rotel Balanced Design assicurano una superba qualità sonora. La capacità di erogazione ad alta corrente consente al RMB-1512 di pilotare anche i diffusori più impegnativi.

Caratteristiche

- Amplificatore a dodici canali, con 100W per canale su 8 ohm
- Controllo livelli di ingresso sul pannello frontale
- Configurazione accensione/spegnimento configurabile dall'utente: manuale, rilevamento automatico del segnale, o controllato da segnale trigger 12V remoto.
- Circuito di protezione contro condizioni di guasto con indicatori sul pannello frontale.
- Possibilità di connessione degli ingressi, commutatore ingresso mono e connettori di collegamento dei segnali in uscita per una maggiore versatilità di configurazione.

Alcune precauzioni

Vi preghiamo di leggere con attenzione questo manuale. Insieme alle istruzioni d'uso e di installazione di base, fornisce una valida informazione sulle varie configurazioni del sistema ed altre informazioni generali che vi aiuteranno a sfruttare al meglio il vostro impianto. Siete pregati di mettervi in contatto con il vostro rivenditore autorizzato Rotel per eventuali domande o dubbi. Inoltre, tutti noi della Rotel saremo lieti di rispondere a qualsiasi vostra domanda e commento.

Conservate la scatola di imballo ed il materiale di protezione accluso per eventuali necessità future. La spedizione o lo spostamento dell'amplificatore in qualsiasi altro contenitore che non sia l'imballo originale potrebbe causare seri danni al prodotto.

Compilate e spedite il tagliando di garanzia accluso con l'amplificatore. O registrate il vostro amplificatore sul sito web Rotel, www.Rotel.com/register. Conservate la ricevuta d'acquisto originale. E' la prova di acquisto del prodotto contenente la data di acquisto,

che vi servirà nell'eventualità di dovere ricorrere ad interventi di riparazione in garanzia.

Posizionamento

Posizionate il RMB-1512 su di una superficie solida e piana, lontano dai raggi del sole, calore, umidità e vibrazioni.

Non sovrapponetevi altri componenti o oggetti sul RMB-1512. Non fate penetrare liquido all'interno dell'unità.

Allo stesso modo, tenete in considerazione il peso dell'amplificatore quando scegliete una posizione in cui collocarlo. Assicuratevi che lo scaffale o il cabinet possano sostenerne il peso.

Il RMB-1512 genera calore durante il normale funzionamento. Le fessure di ventilazione devono essere libere. Vi dovrebbero essere almeno 10 cm di spazio libero attorno allo chassis e un flusso d'aria adeguato per evitare il surriscaldamento dell'amplificatore. Se installato in un cabinet, assicuratevi che la ventilazione sia adeguata.

Collegamento Alla Rete e Controlli

Alimentazione a Corrente Alternata

Il vostro RMB-1512 è già predisposto dalla fabbrica per la tensione corretta per il paese dove lo avete acquistato (USA: 120V/60Hz, Europa: 230V/50Hz). La configurazione della tensione di alimentazione AC è indicata su un adesivo sul pannello posteriore. L'RMB-1512 deve essere collegato ad una presa di corrente a 3 poli.

Con l'RMB-1512 viene fornito in dotazione un cavo di alimentazione AC. Utilizzate questo cavo o uno equivalente. Non apportate modifiche al cavo. Non utilizzate prolunghie.

Assicuratevi che l'interruttore di accensione sul pannello anteriore dell'amplificatore sia

disattivato. Poi collegate un capo del cavo di alimentazione al connettore sul pannello posteriore dell'apparecchio e l'altra estremità alla presa di alimentazione AC.

Se vi assentate da casa per un lungo periodo, come ad esempio per una vacanza, è consigliabile scollegare il vostro amplificatore dall'alimentazione.

Interruttore e Spia di Accensione

L'interruttore di accensione è posto sul lato sinistro del pannello frontale. Per accendere l'amplificatore (o per attivare una delle modalità di accensione automatica) premete l'interruttore.

L'anello attorno all'interruttore si illuminerà, indicando che l'amplificatore è acceso. Per spegnere l'amplificatore premete nuovamente il pulsante e riportatelo nella posizione iniziale.

Selettore di modalità accensione/spegnimento automatico

L'amplificatore offre tre diverse opzioni per l'accensione/spegnimento automatico o manuale. Queste modalità sono selezionabili utilizzando un commutatore a tre posizioni sul pannello posteriore come segue:

- **Con il commutatore in posizione OFF**, l'amplificatore viene acceso o spento manualmente utilizzando l'interruttore

sul pannello frontale. Utilizzate questa modalità anche quando l'amplificatore è collegato ad una presa AC comandata.

- **Con il commutatore in posizione SIGNAL SENSE,** l'amplificatore si attiva automaticamente quando viene rilevato un segnale sugli ingressi. L'amplificatore andrà in modalità standby alcuni minuti dopo che non è più presente il segnale. L'interruttore di alimentazione sul pannello anteriore bypassa questa funzione. Deve essere su ON perché questa modalità possa funzionare. Ponendo l'interruttore su OFF si toglie l'alimentazione all'amplificatore, indipendentemente dal fatto che un segnale trigger sia presente o no.
- **Con l'interruttore in posizione +12V TRIG,** l'amplificatore viene attivato automaticamente quando è presente un segnale trigger da 12V sull'ingresso 12V TRIG a sinistra del commutatore. L'amplificatore si porrà in modalità di standby se non è presente il segnale di +12V. L'interruttore di alimentazione sul pannello anteriore bypassa questa funzione. Deve essere su ON perché il sistema trigger +12V funzioni. Ponendo l'interruttore su OFF si toglie l'alimentazione all'amplificatore, indipendentemente dal fatto che un segnale trigger sia presente o no.

Ingresso Trigger 12V

Il jack d'ingresso serve per collegare il cavo che trasporta il segnale trigger +12V da un Preamplificatore o processore Rotel al fine di attivare e disattivare l'amplificatore. Per potere sfruttare questa funzione il commutatore adiacente deve essere posto sulla posizione all'estrema sinistra /vedi sezione precedente).

L'ingresso TRIGGER accetta qualsiasi segnale di controllo (AC o DC) in una gamma che va da 3 volt a 30 volt. Utilizzate un cavo con connettore mono mini da 3.5mm su entrambe le estremità. Il segnale +12VDC viene emesso dalla punta del connettore.

Uscita Trigger 12V

Il jack 12V TRIG contrassegnato OUT serve per inviare il segnale trigger 12V ad un altro amplificatore Rotel. Qualsiasi segnale Trigger 12V presente sull'ingresso sarà emesso tramite il connettore OUT.

Indicatori di protezione

Un circuito a protezione termica protegge l'RMB-1512 da possibili danni nel caso di condizioni di funzionamento estreme o errate. A differenza di molti progetti, questo circuito di protezione è indipendente dal segnale audio e non ha alcun impatto sulla resa sonora. Inoltre, i circuiti di protezione controllano la temperatura dei dispositivi di uscita e la corrente che stanno erogando, e disattivano l'amplificatore nel caso in cui le condizioni di funzionamento superino i limiti di sicurezza.

Inoltre, l'RMB-1512 incorpora una protezione contro le sovracorrenti che si attiva solo quando l'impedenza di carico scende troppo in basso.

Nel caso si presentasse una condizione di errore, l'amplificatore smetterebbe di funzionare ed uno o più LED sul pannello frontale si illuminerebbero. Se ciò avvenisse, spegnete l'amplificatore, lasciatelo raffreddare per alcuni minuti e cercate di identificare e correggere il problema che ha determinato l'intervento del circuito di protezione. Vi sono LED indicatori indipendenti per ogni coppia di canali che potrebbero aiutarvi nel determinare la causa del problema. Quando

riaccendete l'amplificatore, il circuito di protezione si resetterà automaticamente, ed i LED si spegneranno.

Nella maggior parte dei casi il circuito di protezione si attiva in seguito ad una condizione di guasto come ad esempio: un corto circuito tra i cavi dei diffusori, o la mancanza di una ventilazione adeguata che determina il surriscaldamento dell'unità. In casi molto rari, diffusori altamente reattivi o con impedenza estremamente bassa, possono causare l'intervento del circuito di protezione.

Nota: Il LED indicatore si accende anche quando viene utilizzato il sistema Trigger 12V e l'amplificatore è in modalità Standby.

Connessione dei segnali in ingresso

L'RMB-1512 è dotato di connettori standard RCA, la tipologia che si trova quasi su tutti i componenti audio in commercio.

Oltre ai sei gruppi di ingressi stereo contrassegnati da INPUT 1 a INPUT 6, vi è una coppia di ingressi indicati con LINK IN. E' disponibile inoltre una coppia di connettori SIGNAL OUTPUT LINK per inviare il segnale in ingresso su LINK IN ad un altro componente audio.

Il segnale in ingresso sui connettori LINK IN può essere automaticamente abbinato agli ingressi di uno qualsiasi dei canali INPUTS 1-6, in modo che non servono collegamenti di segnale aggiuntivi per questi canali, per esempio in grandi sistemi in cui l'RMB-1512 viene utilizzato per pilotare più coppie di diffusori.

Ingressi RCA

Vedi figura 2

Vi sono due ingressi RCA per ognuna delle sei coppie di canali amplificati. Questi ingressi RCA accettano segnali audio da preamplificatori o processori surround. Utilizzate cavi di interconnessione di alta qualità.

Per ogni coppia di canali amplificati, collegate l'uscita del canale sinistro del vostro preamplificatore con l'ingresso LEFT INPUT del RMB-1512. Collegate l'uscita del canale destro del vostro preamplificatore con l'ingresso RIGHT INPUT. Assicuratevi che il selettore degli ingressi sia in posizione STEREO.

Abbinamento degli ingressi

Potete abbinare gli ingressi di qualsiasi gruppo di ingressi 1-6 posizionando il selettore degli ingressi sotto ogni coppia di ingressi RCA in posizione LINK. Quando sono abbinati, non è necessaria nessuna connessione in ingresso per quel gruppo. Il segnale in ingresso dai connettori LINK IN viene inviato alla coppia di canali abbinati, permettendovi di utilizzare fino a dodici canali amplificati con lo stesso segnale stereo in ingresso.

Commutatore Mono

Per i gruppi INPUT 1 e INPUT 2, quando il commutatore degli ingressi è sulla posizione MONO, l'ingresso del canale sinistro e/o destro viene inviato ad entrambi i diffusori come segnale mono.

Controlli livello di ingresso

Sei controlli sul pannello frontale, uno per ogni coppia di canali, permettono le regolazioni del livello dell'ingresso. Questi vi

permettono di regolare il guadagno dell'amplificatore per ottimizzarlo rispetto agli altri componenti nel sistema. Il controllo del livello dell'ingresso INPUT 1 varia il guadagno dei canali dell'INPUT 1; i controlli del livello dell'ingresso INPUT 2 variano i canali INPUT 2 e così via. Per regolare questi controlli, utilizzate un piccolo cacciavite a taglio. Ruotate il controllo in senso orario per aumentare il guadagno, in senso antiorario per ridurlo.

Abbinamento uscite di segnale

Questa coppia di connettori RCA può essere usata per inviare segnali in ingresso non processati ad un altro componente audio, per esempio per collegare in cascata un amplificatore aggiuntivo per pilotare un'ulteriore coppia di diffusori. I segnali in ingresso connessi ai connettori LINK IN sono disponibili su queste uscite LINK OUT. Questo viene usato normalmente quando un amplificatore è integrato in un sistema multi-room.

Nota: I segnali in ingresso dagli ingressi LINK IN possono anche essere abbinati ad uno qualsiasi degli ingressi INPUT 1-6 spostando il commutatore INPUT SELECT associato a quel paio di canali sulla posizione LINK.

Diffusori

Vedi figura 2

Il RMB-1512 dispone di sei gruppi di connettori per diffusori, uno per ogni coppia di canali amplificati. I dodici canali possono essere utilizzati in diverse configurazioni differenti. L'illustrazione relativa ai collegamenti, Figura 2, indica un solo esempio, con la connessione di un tipico sistema a sei diffusori. Qui, i rimanenti sei canali sono ancora disponibili per pilotare fino a sei diffusori aggiuntivi, indipendentemente dal fatto che siano essi in aggiunta al sistema principale o indipendenti da esso.

Scelta dei diffusori

Vi raccomandiamo di utilizzare diffusori con un'impedenza minima nominale di 4 ohm. Quando pilotate coppie multiple di diffusori in parallelo, l'impedenza effettiva che l'amplificatore rileva si dimezza. Per esempio, quando si pilotano due coppie di diffusori da 8 ohm, l'amplificatore vede un carico da 4 ohm. Quando si pilotano diffusori multipli in parallelo vi raccomandiamo di scegliere diffusori con un'impedenza di 8 ohm o più alta.

Scelta Dei Cavi

Utilizzate cavi bipolari isolati per collegare l'amplificatore ai diffusori. Le dimensioni e la qualità dei cavi possono avere effetti udibili sulle performance del sistema. I cavi standard vanno bene ma possono dare un'uscita più bassa o una risposta limitata in gamma bassa, in particolare se sono molto lunghi. In generale cavi ben dimensionati miglioreranno la resa sonora. Per ottenere le migliori prestazioni, potete prendere in considerazione cavi speciali di alta qualità. Il vostro rivenditore Rotel vi potrà aiutare nella scelta dei cavi più appropriati al vostro sistema.

Polarità e fase

La polarità, o orientamento positivo/negativo per il collegamento di ogni diffusore e amplificatore deve essere rispettata affinché tutti i diffusori siano in fase. Se la polarità di un collegamento è accidentalmente invertita, il basso sarà debole e l'immagine

stereo scadente. Tutti i cavi sono contrassegnati affinché si possano identificare i due conduttori. Vi possono essere scanalature o una striscia sull'isolante di un conduttore. Il cavo può avere un'isolante trasparente con conduttori di colori diversi (rame e argento). Indicazioni sulla polarità possono essere stampate sull'isolante. Identificate i conduttori positivo e negativo e verificate che la polarità venga rispettata nei collegamenti tra l'amplificatore e i diffusori.

Connessione dei diffusori

Vedi Figura 2

Portare i cavi dal RMB-1512 ai diffusori. Lasciateli lenti in modo da poter muovere i componenti abbastanza da consentire l'accesso ai connettori dei diffusori.

Il RMB-1512 ha due coppie di connettori colorati per ogni gruppo di canali amplificati, uno per il diffusore sinistro l'altro per il diffusore destro. Le etichette sopra ai connettori indicano le connessioni da effettuare verso i diffusori. Questi connettori accettano cavi spellati, forcelle, o doppi connettori a banana (ad eccezione dei paesi della Comunità Europea dove non sono consentiti).

L'RMB-1512 è dotato anche di un connettore per diffusori estraibile che rende la connessione più facile in installazioni particolari. Potete cablare preventivamente il connettore prima che l'amplificatore venga installato. Il connettore estraibile è connesso in parallelo con le uscite per diffusori "tradizionali".

Nota: Il testo seguente descrive le connessioni con connettori tradizionali e con connettore estraibile. **NON USATE entrambi i metodi di collegamento in combinazione con il collegamento di più diffusori.**

Connessione con i connettori tradizionali

Se utilizzate connettori a banana, collegateli ai cavi ed inseriteli nella parte posteriore dei connettori dell'amplificatore. Gli anelli dei connettori dovrebbero essere avvitati completamente (in senso orario).

Se state utilizzando connettori a forcella, collegateli ai cavi. Se state collegando cavi spellati direttamente ai connettori, separate i conduttori dei cavi e strappate indietro l'isolante dall'estremità di ogni conduttore. Fate attenzione a non tagliare il conduttore interno. Svitare (in senso antiorario) le ghiere dei connettori. Posizionate la forcella attorno al perno del connettore o inserite il filo avvolto nel foro del perno. Avvitare le ghiere in senso orario per serrare la forcella o il filo.

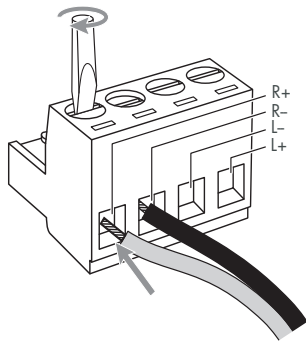
Per ogni gruppo di canali, collegate il diffusore sinistro alla coppia di connettori per diffusori contrassegnata LEFT. Collegate il diffusore destro ai connettori per diffusori RIGHT. Seguite le indicazioni stampate sopra ai connettori. Assicuratevi che il terminale positivo del diffusore sia collegato al terminale + sull'amplificatore. Assicuratevi che il terminale negativo del diffusore sia collegato al terminale - sull'amplificatore.

Nota: Assicuratevi che non vi siano fili scoperti che potrebbero toccare i fili o i connettori adiacenti.

Connessione del connettore estraibile

Collegate i cavi dei diffusori come indicato in figura. Inserite il cavo nell'apertura ed avvitate il corrispondente morsetto per bloccare in posizione il cavo.

Assicuratevi di mantenere la corretta polarità delle connessioni.



Risoluzione dei problemi

La maggior parte dei problemi nei sistemi audio è dovuta a collegamenti non effettuati a dovere o sbagliati, o impostazioni di controllo errate. Se riscontrate problemi, isolate l'area interessata, verificate le impostazioni degli apparecchi, determinate la causa del problema ed apportate le necessarie correzioni. Se non siete in grado di fare funzionare l'amplificatore, prendete spunto dalle indicazioni sotto riportate:

L'indicatore di accensione Standby non si illumina

Non arriva corrente all'amplificatore. Controllate i collegamenti dell'alimentazione AC sull'amplificatore e sulla presa di corrente. Controllate il pulsante di accensione sul pannello anteriore. Assicuratevi che sia premuto. Se state utilizzando il sistema automatico di accensione con rilevamento del segnale, assicuratevi che sia presente un segnale sugli ingressi. Se utilizzate un sistema di accensione trigger 12V, assicuratevi che sia presente un segnale trigger sul connettore sul pannello posteriore 12V TRIG IN.

Nessun Suono

Se l'amplificatore riceve l'alimentazione dalla rete AC ma non produce nessun suono, controllate l'indicatore del circuito di protezione sul pannello frontale. Se è acceso guardate il paragrafo seguente. Se non è acceso, controllate tutti i vostri collegamenti e il settaggio dei controlli sugli altri componenti degli impianti.

L'indicatore di Protezione è acceso

Gli indicatori sul pannello anteriore si accendono quando il circuito di protezione dell'amplificatore è intervenuto. Generalmente questo accade solo quando le aperture di ventilazione sono ostruite, quando c'è un cablaggio difettoso del diffusore, o dopo un periodo di utilizzo intenso. Spegnete l'impianto e aspettate che l'amplificatore si raffreddi. Quindi premete l'interruttore di accensione sul pannello frontale due volte per resettare il circuito di protezione. Se il problema non è risolto o si ripresenta immediatamente, potrebbe essere un problema interno all'amplificatore stesso.

Caratteristiche tecniche

Potenza continua <i>(su 8 ohm, da 20-20 KHz, 0.03%)</i>	100W per canale
Distorsione armonica totale (20Hz-22kHz, 8 ohm)	<0.03%
Distorsione di intermodulazione (60Hz:7kHz, 4:1)	<0.03%
Fattore di attenuazione (20-20KHz, 8 ohm)	200
Impedenza/sensibilità ingresso	8.3kohm/1.25V
Guadagno amplificatore	27.2db
Risposta in frequenza (± 1 dB)	10Hz-40kHz
Rapporto segnale rumore (IHF pesato-A)	105 db
Crosstalk/separazione	> 70db
Impedenza diffusore	minimo 4 ohm
Livello accensione automatica (con tutti gli ingressi)	segnale in ingresso 5mV
Alimentazione	USA: 120 Volt, 60Hz Europa: 230 Volt, 50Hz
Consumo	660 W Nominale: 84W Standby: 10.8W
Dimensioni (LxAxP)	431 x 144 x 449 mm 17 x 5.7 x 17.8 in
Peso (netto)	10.9kg, 23.98 lbs.
Altezza pannello frontale	3U, 132.6mm/5.2 in

Tutte le caratteristiche sono esatte al momento della stampa.
Rotel si riserva il diritto di apportare miglioramenti senza alcun preavviso.

Viktig säkerhetsinformation

WARNING! Försök aldrig att själv utföra service på apparaten. Anlita alltid en behörig servicetekniker för all service.

WARNING! För att undvika risk för elektriska stötar och brand, utsätt inte apparaten för vatten eller fukt. Se till att inga föremål kommer in i apparaten. Om apparaten utsätts för fukt, väta eller om främmande föremål kommer in i den, dra omedelbart ut nätkabeln ur vägguttaget. Lämn sedan apparaten till en behörig servicetekniker för översyn och eventuell reparation.

Läs alla instruktioner innan du ansluter eller använder apparaten.

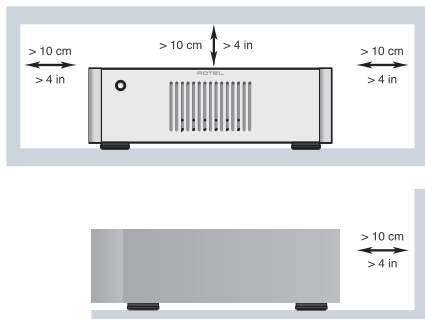
Behåll denna bruksanvisning så att du kan studera dessa säkerhetsföreskrifter.

Följ alla varningar och säkerhetsföreskrifter i bruksanvisningen och på själva apparaten. Följ alltid alla användarinstruktioner.

Använd bara en torr trasa eller dammsugaren för rengöring av apparaten.

Använd inte denna enhet nära vatten.

Se till att det alltid finns 10 cm fritt utrymme runt apparaten.



Ställ inte apparaten på en säng, soffa, matta eller någon liknande yta som kan blockera ventilationshålen. Om apparaten placeras i en bokhylla eller i ett skåp måste det finnas utrymme för god ventilation.

Placera inte apparaten nära element eller andra apparater som utvecklar värme.

Varning! Nätbrunnen och strömsladden på baksidan fungerar som huvudströmbrytare. Apparaten måste placeras på ett sådant sätt att det alltid går att komma åt nätbrunnen.

Apparaten måste vara ansluten till ett vägguttag enligt specifikationen på apparatens baksida (Europa: 230 V/50 Hz, USA: 110 V/60 Hz).

Anslut endast apparaten till vägguttaget med den medföljande strömkabeln eller en exakt motsvarighet. Modifiera inte den medföljande strömkabeln. Ändra inte jord eller polaritet. Använd inte någon förlängningskabel.

Strömkabeln och nätbrunnen är en del av apparatens strömfunktion. För att göra apparaten helt strömlös måste kontakten dras ut ur vägguttaget. **STANDBY**-lysdioden lyser inte när apparaten är helt strömlös.

Placera inte strömkabeln så att den kan bli utsatt för överkan, extrem värme eller i övrigt kan skadas. Var extra noga med att inte skada kabelns ändrar.

Strömkabeln ska kopplas ur vägguttaget om apparaten inte ska användas under en längre tid.

Använd bara tillbehör som rekommenderas av Rotel.

Placera apparaten på en fast, plan yta som klarar dess vikt. Var försiktig när apparaten ska flyttas, så att den inte välter.



Sluta omedelbart använda apparaten och låt behörig servicetekniker kontrollera den om:

- Strömkabeln eller kontakten har skadats
- Främmande föremål eller vätska har kommit in i apparaten
- Apparaten har blivit utsatt för regn
- Apparaten visar tecken på felaktig funktion
- Apparaten har tappats eller skadats på annat sätt



APPLICABLE FOR USA, CANADA OR WHERE APPROVED FOR THE USAGE

CAUTION: TO PREVENT ELECTRIC SHOCK, MATCH WIDE BLADE OF PLUG TO WIDE SLOT. INSERT FULLY.

ATTENTION: POUR EVITER LES CHOCS ELECTRIQUES, INTRODUIRE LA LAMIE LA PLUS LARGE DE LA FICHE DANS LA BORNE CORRESPONDANTE DE LA PRISE ET POUSSER JUSQU'AU FOND.



Denna symbol används för att varna för farlig elektrisk ström inuti apparaten som kan orsaka elektriska stötar.



Denna symbol används för att meddela att det finns viktiga instruktioner om användning och skötsel i denna bruksanvisning.

Rotels produkter är utformade för att följa de internationella direktiven RoHS (Restriction of Hazardous Substances) och WEEE (Waste Electrical and Electronic Equipment) som behandlar hur uttjänta elektriska och elektroniska produkter tas om hand. Symbolen med den överkorsade soptunnan innebär att produkterna måste återvinnas eller tas om hand enligt dessa direktiv.



Innehåll

Figur 1: Kontroller och anslutningar	3
Figur 2: In- och utgångar	4
Viktigt	5
Viktig säkerhetsinformation	42
Om Rotel	43
Lite om watt	43
Introduktion	44
Funktioner	44
Att tänka på	44
Placering	44
Ström och strömfunktioner	44
Ström 10	44
Strömbrytare och strömindikator 1	44
Av/på-lägen 7	44
Ingång för styrsignaler 9	44
Utgång för styrsignaler 9	45
Säkringsindikator 2	45
Signalanslutningar	45
Linjeingångar 4	45
LINK IN 4 5	45
MONO-omkopplare 4	45
Nivåkontroller 3	45
LINK OUT 6	45
Högtalare	45
Val av högtalare	45
Val av högtalarkabel	46
Polaritet och fas	46
Anslutning av högtalare 6	46
Terminaler 6	46
Plugin-kontakt 6	46
Hörsökning	47
Frontens strömindikator lyser inte	47
Inget ljud hörs	47
Säkringsindikator lyser	47
Specifikationer	47

Om Rotel

Vår historia började för nästan 50 år sedan. Under alla år som gått sedan dess har våra produkter belönats med hundratals utmärkelser och roat hundratusentals människor som tar sin underhållning på allvar – precis som du!

Rotel grundades av en familj med ett passionerat intresse för musik. Detta ledde till en egen tillverkning av hifi-produkter med en kompromisslös kvalitet. Genom alla år har denna passion för musik, som delas av hela Rotels personal, varit oförminskad och målet har alltid varit att tillverka prisvärda produkter för både audiofiler och musikälskare, vilken budget de än har.

Rotels ingenjörer arbetar i team och har ett nära samarbete. Tillsammans lyssnar de på och finslipar varje ny produkt tills den lever upp till deras höga krav. De får välja komponenter från hela världen för att göra produkterna så bra som möjligt. I apparaterna hittar du ofta allt från brittiska och tyska kondensatorer till japanska och amerikanska halvledare samt toroidaltransformatorer som tillverkas i Rotels egna fabriker.

Vi bryr oss om miljön. Eftersom allt mer elektronik tillverkas, och så småningom kasseras, är det särskilt viktigt att tillverkare gör vad de kan för att produkterna får så liten inverkan som möjligt på sophantering och vattenmiljö.

På Rotel är vi stolta över att kunna bidra. Vi har reducerat blyinnehållet i vår elektronik genom att använda ett speciellt ROHS-lödtenn, och våra Class D-förstärkare (ej digitala) är upp till fem gånger mer effektiva än våra äldre modeller samtidigt som de är kraftfulla och har höga prestanda. Dessa produkter utvecklar lite värme, slösar minimalt med energi, är bra för miljön – och låter bättre.

Slutligen är denna manual tryckt på återvunnet papper.

Även om detta är små, första steg så är de viktiga. Och vi fortsätter att eftersträva nya metoder och material som kan ge en renare och grönare tillverkning.

Alla vi på Rotel är glada för att du köpt denna produkt. Vi är övertygade om att den kommer att ge dig många års njutning och glädje.

Lite om watt

RMB-1512 effekt specificeras till 100 watt per kanal när alla kanaler drivs samtidigt med full kraft.

Rotel har valt att specificera effekten på detta sätt eftersom vi anser att det ger den mest korrekta bilden av en förstärkares kapacitet.

När du jämför specifikationer med andra produkter bör du tänka på att uteffekt ofta specificeras på andra sätt, vilket innebär att du kanske jämför äpplen och päron.

Effekten kan till exempel anges när bara en enda kanal drivs, vilket ger ett högre värde. Den effektiva strömförsörjningen i Rotels Klass D-förstärkare garanterar att den lämnar hela den specificerade effekten i en eller alla kanaler.

En högtalares impedans anger det elektriska motstånd som den har när den ansluts till en förstärkare, oftast 8 eller 4 ohm. Ju lägre impedansen är desto mer kraft behöver högtalaren. En högtalare med 4 ohms impedans behöver i själva verket dubbelt så mycket kraft som en med 8 ohm.

Rent idealiskt bör en förstärkare dubblera effekten med en 4 ohms last – en effekt på 100 watt i 8 ohm ska bli 200 watt i 4 ohm. Att använda högtalare med låg impedans ställer högre krav på förstärkarens strömförsörjning eftersom den kommer att dra mer ström och ge ifrån sig mer värme.

Rotels förstärkare är dock konstruerade så att de fungerar med vilken impedans som helst mellan 8 och 4 ohm, och med alla kanaler drivna på full effekt. Eftersom Rotels konstruktion är optimerad för att alla kanaler ska drivas samtidigt kan Rotel ange den sanna effekten för alla kanaler.

Detta kan även vara viktigt för din underhållning. När du tittar på film är det bra om förstärkaren kan lämna full effekt i alla kanaler samtidigt, särskilt när en vulkan exploderar!

Introduktion

Tack för att du har köpt 12-kanalsslutsteget Rotel RMB-1512. I en kvalitetsanläggning för musik eller hemmabio kommer det att ge dig många års musikalisk njutning. RMB-1512 är ett kraftfullt, 12-kanaligt slutsteg med en ljudkvalitet av högsta prestanda.

En mäktig strömförsörjning, förstklassiga komponenter och Rotels Balanced Design garanterar en mycket hög ljudkvalitet. Den kraftiga strömförsörjningen gör att RMB-1512 kan driva krävande högtalare utan problem.

Funktioner

- Tolv förstärkarkanaler som vardera lämnar 100 watt i 8 ohm
- Inställning av insignalernas styrka på fronten
- Olika av/på-lägen: manuell, automatisk signalavkänning eller styrning via 12-volts styrsignal (trigger)
- Säkringskretsar med indikatorer på fronten
- Maximal flexibilitet med länkning av insignaler, mono-omkopplare och anslutningar för länkning av utsignaler

Att tänka på

Läs denna instruktionsbok noggrant. Den ger dig grundläggande instruktioner om hur du installerar och använder RMB-1512 i olika anläggningar. Om du har några frågor är du alltid välkommen att kontakta din Rotel-återförsäljare. Alla vi på Rotel uppskattar dina frågor och synpunkter.

Spara kartongen och allt förpackningsmaterial för framtida behov. Att skicka eller flytta RMB-1512 i en annan förpackning kan skada den allvarligt.

Spara ditt originalkvitto från köptillfället. Det är det bästa beviset för när du köpt din RMB-1512, vilket kan vara viktigt i händelse av service- och garantianspråk.

Placering

Placera RMB-1512 på en plan och stabil yta som inte utsätts för starkt solljus, hetta, fukt eller vibrationer.

Stapla inte andra komponenter eller föremål ovanpå RMB-1512. Se till att ingen vätska rinner ner i förstärkaren.

Tänk också på förstärkarens vikt när du väljer placering. Se till att RMB-1512 kan bäras av hyllan eller bänken den ställs på.

RMB-1512 alstrar värme vid normal användning. Kylflänsarna och ventilationshålen är utformade för att leda bort värme. Täck inte över ventilationshålen. Se till att det finns 10 cm fritt utrymme runt om apparaten och att det finns utrymme för god ventilation, så att den inte överhettas.

Ström och strömfunktioner

Ström

RMB-1512 är fabriksinställd för de strömspecifikationer som gäller i det land du köpte den i (Europa 230 V/50 Hz och USA 115 V/60 Hz). Fabriksinställningen finns utmärkt med en dekal på apparatens baksida. RMB-1512 ska anslutas till ett jordat eluttag.

Förstärkaren levereras med en strömkabel. Använd endast denna kabel eller en exakt motsvarighet. Använd inte någon förlängningskabel.

Se till att förstärkarens strömbrytare på fronten är avstängd. Anslut sedan strömkabeln till nätbrunnen på förstärkarens baksida. Anslut sedan strömkabelns andra ände till vägguttaget.

Om du kommer att vara bortrest en längre tid är det en lämplig försiktighetsåtgärd att dra ut förstärkarens strömkabel ur vägguttaget.

Strömbrytare och strömindikator

Strömbrytaren sitter på vänster sida av fronten. Tryck på strömbrytaren för att slå på förstärkaren (eller för att aktivera något av de automatiska lägena).

Ringan runt brytaren börjar då lysa, vilket talar om att förstärkaren är påslagen. Tryck på strömbrytaren en gång till för att stänga av förstärkaren.

Av/på-lägen

RMB-1512 har tre olika lägen som används för att sätta på och stänga av den manuellt eller automatiskt. Dessa lägen väljs med en omkopplare på baksidan:

- **Med omkopplaren i läge OFF** slås förstärkaren av och på manuellt med strömbrytaren på fronten. Använd detta läge om förstärkaren får ström från ett switchat nätuttag.
- **Med omkopplaren i läge SIGNAL SENSE** sätts förstärkaren på automatiskt när den känner av att en signal når linjeingångarna. Förstärkaren försätts i standby-läge ett par minuter efter signalen upphör. Strömbrytaren på fronten fungerar fortfarande och måste vara i läge ON för att signalavkänningen ska fungera. Om strömbrytaren står i läge OFF är förstärkaren avstängd, oavsett om den får någon signal eller inte.
- **Med omkopplaren i läge 12V TRIG** slås förstärkaren på automatiskt av en 12-volts styrsignal i minijack-ingången som är märkt IN till vänster om omkopplaren. Strömbrytaren på fronten fungerar fortfarande och måste vara i läge ON för att signalavkänningen ska fungera. Om strömbrytaren står i läge OFF är förstärkaren avslagen, oavsett om den får någon styrsignal eller inte.

Ingång för styrsignaler

Ingången märkt 12V TRIG IN används för en kabel med 3,5-millimeters minijack-kontakt som överför en 12-volts styrsignal som slår på och stänger av förstärkaren. För att använda denna funktion måste omkopplaren bredvid stå i läget ON (se föregående stycke).

Ingången tar emot lik- eller växelströmssignaler på mellan 3 och 30 volt. Kabeln ska vara försedd med minijack-kontakter i båda ändar. 12-voltssignalen överförs i kontaktens yttersta spets.

Utgång för styrsignaler

Utgången märkt 12V TRIG OUT används för att ansluta en 3,5-millimeters minijack-kabel som överför en 12-volts styrsignal till ytterligare Rotel-förstärkare. Denna utsignal är tillgänglig så länge det finns en insignal ansluten till IN-ingången.

Säkringsindikator

Förstärkaren skyddas av och värmekretsar mot extrem eller felaktig användning. Till skillnad från liknande konstruktioner är skyddskretsarna i RMB-1512 inte beroende av ljudskvaliteten och påverkar därför inte ljudkvaliteten. Säkringskretsarna känner i stället av temperaturen på utgångsenheterna och stänger av slutsteget om den blir för hög.

Förstärkaren har även ett skydd mot överbelastning som aktiveras om impedanslasten sjunker för mycket.

Om något fel skulle uppstå slutar förstärkaren spela och en eller flera PROTECTION-lysdioder på fronten tänds. Om detta händer stänger du av förstärkaren och låter den kylas av i ett par minuter. Försök sedan att lokalisera felet och rätta till det. Det finns säkringsindikatorer för varje oberoende kanalpar vilket kan underlätta felsökningen. När du sedan sätter på förstärkaren igen nollställs skyddskretsarna och PROTECTION-lysdioden på fronten bör slockna.

I de flesta fall aktiveras säkringskretsarna om något fel har uppstått. Detta kan till exempel vara en kortsluten högtalarkabel eller otillräcklig ventilation som orsakar överhettning. I mycket sällsynta fall kan säkringskretsarna även aktiveras av högtalare med extremt låg impedans.

OBS! Säkringsindikatorn lyser också om 12-volts styrsignaler används och förstärkaren är i standby-läge.

Signalanslutningar

RMB-1512 har anslutningar för vanliga, obalanserade RCA-kontakter. Det är en typ av kontakter som används i nästan all ljudutrustning.

Utöver de sex grupperna med stereoingångar, märkta INPUT 1 till INPUT 6, finns det ett par ingångar som är märkta LINK IN. Det finns också en uppsättning utgångar märkta LINK OUT som överför insignalen från LINK IN-ingången vidare till någon annan ljudkomponent.

LINK IN-insignalen kan automatiskt länkas till alla INPUT 1–6-kanalerna så att en separat insignal inte behöver överföras till dessa ingångar, till exempel i stora system där RMB-1512 driver flera par högtalare.

Linjeingångar

Se figur 2

Det finns två ingångar för vart och ett av de sex paren förstärkarkanaler. Dessa RCA-kontakter tar emot signaler från förförstärkare eller flerkanalprocessorer. Använd signalkablar av hög kvalitet för bästa prestanda.

Anslut varje par förstärkarkanaler så här: koppla vänster kanals utsignal till vänster kanals ingång på RMB-1512 och höger kanals utsignal till höger kanals ingång på RMB-1512. Se till att omkopplaren bredvid RCA-ingångarna står i läge STEREO.

LINK IN

Du kan länka ingångarna till var och en av de sex grupperna INPUT 1–6 genom att ställa omkopplaren bredvid RCA-ingångarna i läge LINK. Då behöver inga signalkablar anslutas för aktuell grupp, i stället används insignalen som är ansluten till LINK IN-ingången. Detta innebär att du kan förse upp till tolv förstärkarkanaler med samma stereosignal.

MONO-omkopplare

INPUT 1- och INPUT 2-gruppens omkopplare kan även ställas i MONO-läge. Då läggs höger och vänster signal ihop och överförs till båda högtalarna som monosignaler.

Nivåkontroller

Sex kontroller på fronten, en för varje par förstärkarkanaler, justerar signalstyrkan. Med hjälp av dessa kan du ställa in förstärkningen så att den matchar övriga komponenter i anläggningen. INPUT 1-kontrollen ändrar INPUT 1-kanalerna, INPUT 2-kontrollen INPUT 2-kanalerna och så vidare. Använd en liten bladmejsel för att justera nivåerna. Vrid kontrollen motsols för att sänka nivån och medsols för att höja den.

LINK OUT

Denna linjeutgång används för att överföra ojusterade insignaler vidare till en annan ljudkomponent, till exempel ytterligare ett slutsteg som driver fler högtalare. Signalen som lämnas i LINK OUT-utgången är densamma som tas emot i LINK IN-ingången. Denna funktion används oftast när förstärkaren är en del av ett multiroom-system.

OBS! Insignalen från LINK IN-ingången kan också länkas vidare till INPUT 1–6-ingångarna genom att INPUT SELECT-omkopplaren för aktuellt förstärkarpar ställs i läge LINK.

Högtalare

Se figur 2

RMB-1512 har sex uppsättningar högtalarterminaler, en för varje par förstärkarkanaler. De tolv kanalerna kan användas i många olika kombinationer. Figur 2, "In- och utgångar", visar bara ett exempel, med anslutningar för en normal anläggning som har sex kanaler. I detta exempel finns det fortfarande sex oanvända kanaler som kan driva upp till sex ytterligare högtalare, oberoende av om de tillhör samma anläggning eller inte.

Val av högtalare

Den nominella impedansen på högtalarna som är anslutna till varje kanal ska ha en impedans på minst 4 ohm. Om flera högtalare drivs parallellt med samma kanal halveras impedansen. Om du till exempel driver två par högtalare med 8 ohms impedans vardera så är den totala impedansen för förstärkaren 4 ohm. Välj högtalare med 8 ohms nominell impedans eller högre om du vill driva flera par parallellt.

Val av högtalarkabel

Använd en skärmad och tvåledad högtalarkabel för att ansluta dina högtalare. Högtalarkabelns storlek och kvalitet påverkar anläggningens ljudkvalitet. En standardkabel kan fungera, men kan också minska utsignalens styrka och dämpa basåtergivningen, särskilt i anläggningar med långa kablar. Rent allmänt fungerar grövre kablar bäst. För bästa resultat bör du överväga att skaffa högtalarkablar av hög kvalitet. Din Rotel-återförsäljare kan hjälpa dig att välja rätt kablar till din anläggning.

Polaritet och fas

När du ansluter högtalarkablarna måste du se till att polariteten blir rätt. Plus- och minusledningarna måste sitta på rätt ställe på alla förstärkanaler och högtalare. Om polariteten i någon anslutning av misstag blir omvänd, minskas basåtergivningen och stereoperspektivet försämras. Alla kablar är märkta så att du kan se vilken ledare som är vilken – det kan till exempel finnas en färgmarkering eller en fasadkant på den ena ledaren, eller så kan kabeln vara genomskinlig och ha olika färger på själva ledarna (koppar och silver). Var konsekvent när du ansluter kablarna och använd alltid samma markering för polaritet både på högtalarna och på förstärkaren.

Anslutning av högtalare

Se figur 2

Dra kablarna från förstärkaren till högtalarna. Se till att varje kabel är tillräckligt lång för att du ska kunna flytta komponenterna och komma åt anslutningarna på baksidan.

RMB-1512 har två par färgkodade anslutningar för varje grupp förstärkanaler, ett för vänster högtalare och en för höger högtalare. Terminalerna är märkta med R (höger) och L (vänster) för att undvika felkoppling. Högtalarterminalerna tar emot avskalad kabel samt banan- eller spadkontakter (utom i EU, där banankontakter inte är tillåtna).

RMB-1512 har dessutom en plugin-kontakt som kan underlätta inkopplingen i fasta installationer. Med hjälp av dessa kan du ansluta högtalarkablarna till färdiga kontakter innan förstärkaren installeras. Plugin-kontakterna sitter parallellt med de vanliga högtalarterminalerna.

OBS! Följande text beskriver anslutningar med både avskalad kabel och kabelkontakter. Använd INTE båda typerna av anslutning samtidigt för att ansluta fler högtalare.

Terminaler

Om du använder banankontakter fäster du dem på kablarna och trycker sedan in dem i mitten av terminalkontakten. Terminalhylsan ska vara helt inskruvad (medsols).

Om du använder spadkontakter fäster du dem på ledarna. Om du använder avskalad kabel direkt i högtalarterminalerna så separerar du ledarna och skalar av isoleringen. Var noga med att du inte skalar av själva koppartrådarna. Skruva sedan upp terminalhylsan (motsols) och anslut spadkontakten runt terminalen eller trä den skalade kabeln genom terminalen. Skruva sedan fast terminalhylsan ordentligt.

Anslut varje par högtalare så här: koppla vänster högtalare till terminalskruvorna märkta LEFT, och höger högtalare till terminalskruvorna märkta RIGHT. Följ markeringen ovanför skruvarna.

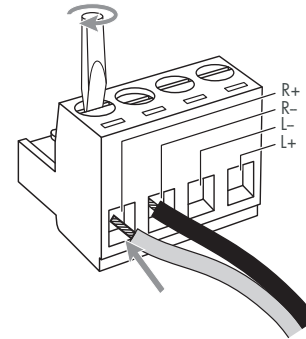
Var noga med att plusledaren kopplas till terminalen märkt "+" och minusledaren till "-".

OBS! Se till att det finns några lösa kabeltrådar som kan komma i kontakt med intilliggande kablar.

Plugin-kontakt

Anslut högtalarkablarnas ledare enligt beskrivningen i illustrationen. Stoppa in ledaren i hålet och fäst den med skruven.

Var noga med att polariteten blir riktig.



Felsökning

De flesta problem som kan uppstå i en anläggning beror på felaktiga anslutningar eller inställningar. Om du stöter på problem försöker du lokalisera felet och kontrollerar dina anslutningar. Försök hitta orsaken till felet och gör sedan de ändringar som behövs. Om du inte får något ljud ur RMB-1512 så kommer här ett par förslag på vad du kan göra:

Frontens strömindikator lyser inte

RMB-1512 får inte någon ström. Kontrollera strömkabeln och alla anslutningar. Kontrollera strömbrytaren på fronten och se till att den står i läge ON. Om du använder automatisk aktivering så kontrollerar du att slutsteget tar emot signaler. Om du använder styr signaler så kontrollerar du att det finns en styrkabel till 12V TRIG -ingången på baksidan.

Inget ljud hörs

Om slutsteget får ström men inte ger ifrån sig något ljud kontrollerar du säkringsindikatorerna på fronten. Om de lyser läser du mer i nästa stycke. Om de inte lyser kontrollerar du alla anslutningar och inställningar på övriga komponenter i anläggningen.

Säkringsindikator lyser

Frontens säkringsindikator lyser när säkringskretsarna har stängts av förstärkaren. Detta händer i normala fall bara om ventilationshålen är blockerade, om du använder en felaktig högtalarkabel eller om slutsteget har använts extremt mycket. Stäng av slutsteget och låt det kylas av ett tag. Tryck sedan in och ut på strömbrytaren för att "nollställa" säkringskretsarna. Om felet inte rättas till beror det på något fel i anläggningen eller i själva slutsteget.

Specifikationer

Kontinuerlig effekt (10–20 000 Hz, <0,03 %, 8 ohm)	100 watt per kanal
Total harmonisk förvrängning (20–20 000 Hz, 8 ohm)	<0,03 %
Intermodulationsförvrängning (60 Hz :7 kHz, 4:1)	<0,03 %
Dämpfaktor (20–20 000 Hz, 8 ohm)	200
Ingångskänslighet/impedans	1,25 V/8,3 kohm
Gain	27,2 dB
Frekvensomfång (+/-1 dB)	10–40 000 Hz
Signal/brus-förhållande (IHF A)	105 dB
Kanalseparation	>70 dB
Högtalarimpedans (normalläge)	Minimum 4 ohm
Automatisk aktivering (alla insignaler)	5 mV
Strömförsörjning	Europa: 230 volt, 50 Hz USA: 110 volt, 60 Hz
Strömförbrukning	660 watt Viloläge: 84 watt Standby: 10,8 watt
Mått (B x H x D)	431 x 144 x 449 mm
Frontens höjd	3U, 132,6 mm
Vikt (netto)	10,9 kg

Alla specifikationer är korrekta vid tryckningen.

Rotel reserverar sig rätten att göra förbättringar utan föregående meddelanden.

Важные инструкции по безопасности

ПРЕДОСТЕРЕЖЕНИЕ: Внутри нет частей, доступных для обслуживания пользователю. Доверьте обслуживание квалифицированному мастеру.

ПРЕДОСТЕРЕЖЕНИЕ: Для снижения опасности возгорания или поражения электрическим током не подвергайте данный аппарат воздействию дождя или влаги. Не допускайте попадания посторонних предметов внутрь корпуса. Если внутрь корпуса попала влага или посторонний предмет, немедленно выньте вилку шнура питания из розетки. Доставьте аппарат к квалифицированному специалисту для осмотра и возможного ремонта.

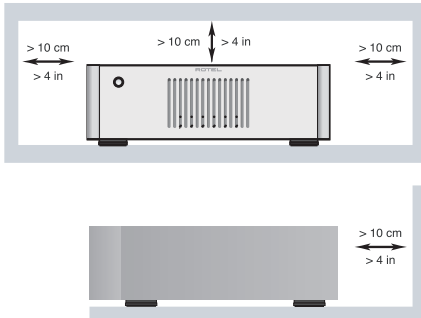
Прежде чем подсоединять аппарат и управлять им, прочтите все инструкции. Сохраните руководство по эксплуатации для дальнейшего использования.

Обращайте внимание на предостережения, указанные на корпусе аппарата и в данном руководстве. Управляйте аппаратом в соответствии с инструкциями.

Производите очистку корпуса только сухой тканью или пылесосом.

Не используйте это устройство вблизи воды.

Оставьте не менее 10 см свободного пространства вокруг аппарата для обеспечения циркуляции воздуха.



Не ставьте аппарат на кровать, диван, ковер или подобную мягкую поверхность, которая может загородить вентиляционные отверстия. Если аппарат встраивается в шкаф или другой корпус, этот корпус должен вентилироваться для обеспечения охлаждения аппарата.

Держите аппарат подальше от радиаторов отопления, обогревателей, печей и любых других устройств, выделяющих тепло.

ПРЕДОСТЕРЕЖЕНИЕ: Сетевой разъем на задней панели предназначен для быстрого отсоединения устройства от электрической сети. Устройство должно обеспечивать свободный доступ к задней панели, чтобы сетевой кабель можно было быстро выдернуть.

Сетевое напряжение, к которому подсоединяется аппарат, должно соответствовать требованиям, указанным на задней панели аппарата. (США: 120 В, 60 Гц, ЕС 230 В, 50 Гц)

Подсоединяйте компонент к питающей розетке только при помощи сетевого шнура из комплекта поставки, или его точного эквивалента. Не переделывайте поставляемый шнур. Поляризованный штекер имеет два ножевых контакта, один из которых шире другого. Заземляющий штекер имеет два ножевых контакта и третий заземляющий штырь. Они обеспечивают вашу безопасность. Не отказывайтесь от мер безопасности, предоставляемых заземляющим или поляризованным штекером. Если поставляемый штекер не подходит к вашей розетке, обратитесь к электрику для замены устаревшей розетки. Не используйте удлинители сетевого питания.

Основной штекер сетевого шнура является отключаемым от аппарата. Для полного отключения изделия от питающей сети, основной штекер сетевого кабеля следует отсоединять от сетевой розетки переменного тока. Светодиодный индикатор жужжащего режима LED не будет гореть, показывая, что сетевой шнур отключен.

Не прокладывайте сетевой шнур там, где он может быть раздавлен, пережат, скручен, подвергнут воздействию тепла или поврежден каким-либо способом. Обращайте особое внимание на сетевой шнур вблизи штекера и там, где он входит в заднюю панель устройства.

Сетевой шнур следует отсоединять от стеновой розетки во время грозы или если прибор оставлен неиспользуемым длительное время.

Используйте только принадлежности, указанные производителем.

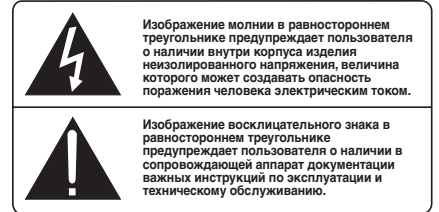
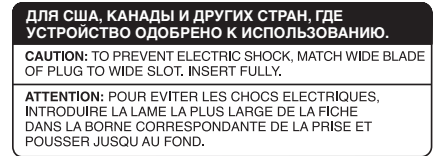
Используйте только тележку,ставку, стойку, кронштейн или полку системы, рекомендованной компанией Rotel.

Будьте осторожны при перемещении прибора на подставке или стойке во избежание ранения от опрокидывания.

Используйте кабели с защитой Class 2 при подсоединении колонок к клеммам усилителя для обеспечения надежной изоляции и минимизации риска удара электричеством.

Немедленно прекратите использование компонента и передайте на обследование и/или обслуживание квалифицированной ремонтной организацией если:

- Сетевой шнур или штекер был поврежден.
- Внутри прибора уронили предметы или пролили жидкость.
- Прибор побывал под дождем.
- Прибор демонстрирует признаки ненормальной работы.
- Прибор уронили или повредили любым другим способом.



Продукты Rotel спроектированы так, чтобы соответствовать требованиям международных директив по ограничению применения вредных веществ в электротехническом и электронном оборудовании (Restriction of Hazardous Substances – RoHS), также по обращению с отслужившим свой срок электротехническим и электронным оборудованием (Waste Electrical and Electronic Equipment – WEEE). Изображение перечеркнутого мусорного бака на колесах означает также то, что эти продукты должны быть вторично использованы (рециклированы) или же обработаны в соответствии с упомянутыми выше директивами.



Содержание

Рисунок 1: Органы управления и разъемы	3
Рисунок 2: Подсоединение источников сигнала и акустических систем	4
Важные замечания	5
Важные инструкции по безопасности	48
О компании ROTEL	49
Несколько слов о мощности в Ваттах	49
Первые шаги	50
Основные достоинства	50
Некоторые меры предосторожности	50
Размещение	50
Подключение питания и управления	50
Вход сети переменного тока 10	50
Выключатель питания и индикатор 1	51
Селектор режимов включения и выключения по 12-В триггерному сигналу 7	51
Вход для +12 В триггерного сигнала 9	51
Выход для +12 В триггерного сигнала 9	51
Светодиодные индикаторы защиты 2	51
Разъемы для входных сигналов	51
RCA входы 4	52
Связывание входов 4	52
Переключатель входов в режим моно – Mono Switch 4	52
Органы управления уровнем сигнала на передней панели 3	52
Разъемы – повторители входного сигнала 6 – Signal Output Link	52
Акустические системы	52
Выбор колонок	52
Выбор акустического кабеля	52
Полярность и фазировка	52
Присоединение акустических систем 6	52
Подсоединение проводов к колоночным клеммам 6	53
Подсоединение проводов к зажимным гнездам 6	53
Возможные неисправности	53
Индикатор питания на передней панели не светится	53
Нет звука	53
Индикатор защиты светится	53
Технические характеристики	54

О компании ROTEL

История нашей компании началась почти 50 лет назад. За прошедшие десятилетия мы получили сотни наград за наши продукты и сделали счастливыми сотни тысяч людей, которые относятся к своим развлечениям вполне серьезно – так же, как вы!

Компания Rotel была основана семейством, чья страсть к музыке породила стремление создавать hi-ѐ компоненты бескомпромиссного качества. За многие годы эта страсть ничуть не ослабла, и по сей день общая цель – выпускать продукты исключительной ценности для аудиофилов и любителей музыки, независимо от их финансовых возможностей, разделяется всеми сотрудниками Rotel.

Инженеры Rotel работают как единая команда, прослушивая и тщательно доводя каждый новый продукт до такого уровня совершенства, когда он будет удовлетворять их строгим музыкальным стандартам. Им предоставлена свобода выбора комплектующих по всему миру, чтобы сделать аппарат как можно лучше. Вероятно, вы сможете найти в наших аппаратах отборные конденсаторы из Великобритании и Германии, полупроводники из

Японии и США, однако тороидальные силовые трансформаторы мы изготавливаем на собственном заводе ROTEL.

Все мы заботимся об охране окружающей среды. По мере того, как все больше электронных устройств в мире выпускается, а после окончания срока службы выбрасывается, для производителя особенно важно при конструировании продуктов сделать все возможное, чтобы они наносили минимальный ущерб земле и источникам воды.

Мы в компании Rotel, гордимся своим вкладом в общее дело. Во-первых, мы сократили содержание свинца в своей электронике, за счет использования припоя, отвечающего требованиям ROHS, во-вторых, наши новые усилители, работающие в классе D, имеют в пять раз более высокий к.п.д., чем предыдущие разработки, при одинаковой выходной мощности и качестве звучания. Подобные продукты практически не выделяют тепла, не растрчивают попусту энергию, хороши с точки зрения охраны окружающей среды и вдобавок лучше звучат.

Наконец, даже эту инструкцию мы отпечатали на бумаге, полученной из вторичных ресурсов.

Мы понимаем, что это маленькие шаги вперед, но они очень важны. Ведь мы продолжаем поиски новых методов и материалов для более чистых и дружественных к окружающей среде технологических процессов.

Все мы, сотрудники компании ROTEL, благодарим Вас за покупку этого изделия. Мы уверены, что оно доставит вам много лет удовольствия.

Несколько слов о мощности в Ваттах

Выходная мощность усилителя RMB-1512 составляет 100 Вт на канал, при одновременно работающих на полную мощность двенадцати каналах.

Компания решила измерять выходную мощность именно таким методом потому, что по опыту Rotel, только он дает истинную оценку возможностей ресивера или усилителя.

Сравнивая данные в технических характеристиках различных продуктов, нужно иметь в виду, что выходная мощность часто измеряется совсем другим способом, так что, возможно, вы пытаетесь сравнить между собой совершенно разные вещи.

Например, выходная мощность может быть приведена только для одного работающего канала, что позволяет получить более высокий показатель максимальной мощности. Хорошо стабилизированные источники питания усилителей Rotel, работающих в классе D, гарантируют, что полная выходная мощность будет выдаваться как при одном, так и при всех одновременно работающих каналах.

Импеданс акустических систем показывает, каково электрическое сопротивление или нагрузка, подключаемая на выход усилителя, и обычно она равняется 8 Ом или 4 Ома. Чем ниже импеданс, тем большая мощность потребуется для колонки. В результате,

акустическая система с сопротивлением 4 Ом нуждается в усилителе вдвое большей мощности, чем 8-омная АС.

Так что теоретически усилитель должен отдавать удвоенную мощность в 4-омную нагрузку – т.е. показатель 100 Вт на 8 Ом должен превратиться в 200 Вт на 4 Ом. Использование АС с более низким импедансом налагает на блок питания усилителя повышенные требования, потому что он должен извлекать из него больший ток и отдавать больше тепла.

Однако усилители Rotel спроектированы так, чтобы работать с любым импедансом колонок – от 8 Ом до 4 Ом, при всех каналах одновременно выдающих полную мощность. И так как конструкции Rotel оптимизированы для использования со всеми одновременно работающими каналами, Rotel может указывать истинную мощность для обоих каналов.

Это может оказаться чрезвычайно важно для ваших впечатлений. При просмотре кинофильмов желательно, чтобы усилитель мог выдать полную мощность во все каналы одновременно, особенно когда на экране происходит извержение вулкана!

Первые шаги

Благодарим вас за приобретение 12-канального усилителя мощности Rotel RMB-1512. При использовании в высококачественной системе для воспроизведения музыки или домашнего кинотеатра, ваш усилитель ROTEL обеспечит годы удовольствия от прослушивания.

Rotel RMB-1512 – это 12-канальный усилитель мощности, обеспечивающий наивысший уровень качества аудио. Массивный источник питания, отборные комплектующие премиум-класса и сбалансированная конструкция Rotel обеспечивают им превосходное качество звучания. Способность RMB-1512 отдавать большой ток позволяет ему легко справляться с «трудными» нагрузками в виде колонок.

Основные достоинства

- Двенадцатиканальный усилитель мощности, 100 Вт на канал на 8 Ом.
- Регулировки уровня входов на передней панели.
- Выбираемые пользователем режимы авто включения/выключения: ручной, автоматический – с отслеживанием входного сигнала или управляемый пусковым 12 В триггерным сигналом
- Схема защиты на случай отказов с индикатором на передней панели
- Связывание входов, переключатель “моно” для входов и разъемы для связывания выходных сигналов – для максимальной гибкости конфигурирования систем.

Некоторые меры предосторожности

Пожалуйста, прочитайте данное Руководство внимательно. Кроме основных наставлений по установке и эксплуатации, оно

содержит информацию о различных конфигурациях систем на базе RMB-1512, а также общую информацию о том, как получить оптимальное качество от вашей системы. Пожалуйста, обращайтесь к вашему авторизованному дилеру ROTEL за ответами на любые вопросы, которые могут возникнуть. Кроме того, любой сотрудник ROTEL с удовольствием примет ваши вопросы и комментарии.

Сохраните транспортную картонную коробку от усилителя RMB-1512 и все вложенные упаковочные материалы для дальнейшего использования. Транспортирование или перемещение усилителя RMB-1512 в любой таре и упаковке, кроме оригинальной, может привести к серьезному повреждению вашего усилителя.

Заполните и вышлите карту регистрации владельца, упакованную вместе с RMB-1512. Сохраните чек о продаже. Он является наилучшей регистрацией даты приобретения, которая будет востребована в случае гарантийного обслуживания, если оно когда-либо понадобится.

Размещение

Установите RMB-1512 на твердой, горизонтальной поверхности вдали от солнечного света, тепла, влаги и вибрации.

Не ставьте другие компоненты или предметы сверху на устройство. Не допускайте попадания любой жидкости внутрь устройства.

Аналогично, помните о большом весе усилителя, когда выбираете место для него. Убедитесь, что полка или шкаф может выдержать значительный вес устройства.

Во время нормальной работы, RMB-1512 выделяет тепло. Не закрывайте вентиляционных отверстий. Оставьте минимум 10 см свободного пространства вокруг устройства. При установке в шкаф, убедитесь, что в нем существует необходимая вентиляция.

Подключение питания и управления

Вход сети переменного тока

Ваш усилитель RMB-1512 настроен на заводе в соответствии со стандартами электрической сети в Вашей стране (США: 120 В/60 Гц или Европа: 230 В/50 Гц). Конфигурация электропитания обозначена на задней панели аппарата. RMB-1512 должен быть подсоединен к 3-штырьковой поляризованной стенной розетке.

Усилитель поставляется с подходящим для него сетевым кабелем. Используйте только этот кабель или эквивалентный ему. Не перекладывайте прилагаемый в комплекте кабель. Не пользуйтесь удлинителями.

Убедитесь, что выключатель питания на передней панели усилителя RMB-1512 находится в положении «отключено». Затем воткните один конец сетевого шнура в разъем на задней панели усилителя. После этого вставьте другой конец сетевого кабеля с вилкой в розетку.

Если вы уезжаете из дома на длительное время, в качестве разумной предосторожности, отключите ваш усилитель от сети.

Выключатель питания и индикатор

Выключатель питания расположен слева на передней панели усилителя. Для включения усилителя (или для активации какого-либо режима автоматического включения), нажмите на выключатель.

Светодиодный кольцевой индикатор вокруг выключателя загорится, показывая, что усилитель включен. Чтобы выключить усилитель, нажмите на кнопку еще раз и верните ее в положение «выключено».

Селектор режимов включения и выключения по 12-В триггерному сигналу

У RMB-1512 имеется три варианта ручного или автоматического включения и выключения. Для их выбора на задней панели предусмотрен трехпозиционный переключатель – селектор режимов:

- **Если селектор находится в положении OFF**, то усилитель включается и выключается вручную с помощью кнопки выключателя на передней панели. Используйте этот режим и в случае, если для его питания используется коммутируемая розетка
- **Если селектор находится в положении «SIGNAL SENSE»**, усилитель включается автоматически всегда, когда на его входы поступает аудио сигнал. Если аудио сигнал на входы не подается, усилитель через несколько минут возвращается в режим Standby. Выключатель питания POWER SWITCH на передней панели имеет приоритет над этой функцией. Для того, чтобы функция дистанционного включения могла работать, он должен находиться в положении ON. При отключении усилителя выключателем на передней панели, он остается выключенным, независимо от наличия или отсутствия сигнала на его входе.
- **Если селектор находится в положении «12 V TRIG»**, усилитель включается автоматически при подаче на его входной разъем 12 V TRIG на задней панели соответствующего сигнала 12 В. Усилитель переходит в режим Standby если сигнал +12V на входе отсутствует. Выключатель питания POWER SWITCH на передней панели имеет приоритет над этой функцией. Для того чтобы функция дистанционного включения +12V могла работать, он должен находиться в положении ON. При отключении усилителя выключателем на передней панели, он остается выключенным, независимо от наличия или отсутствия триггерного сигнала на его входе.

Вход для +12 В триггерного сигнала

Разъем с надписью IN предназначен для подсоединения кабеля со штекером 3,5 мм, подающим сигнала + 12 В от предусилителя или процессора окружающего звука на усилитель – для его включения и выключения. Для того чтобы функция дистанционного включения могла работать, ползунковый переключатель, расположенный рядом, должен быть в левом положении (см. предыдущий раздел).

Вход TRIGGER INPUT принимает любой управляющий сигнал (постоянного или переменного тока) в диапазоне от 3 до 30 В. Используйте кабель с моно штекерами 3,5 мм на обоих концах. Сигнал + 12 В должен появиться на кончике штекера.

Выход для +12 В триггерного сигнала

Разъем 12 V TRIG с надписью OUT предназначен для подсоединения другого кабеля со штекером 3,5 мм, чтобы подать сигнал +12 В на другие компоненты. Как только на входе IN появляется сигнал +12 В, он тут же поступает и на выходной разъем OUT.

Светодиодные индикаторы защиты

Схемы защиты, в том числе тепловой, предотвращают потенциальное повреждение усилителя в случае экстремальных ситуаций или состояния отказа. В отличие от многих других усилителей, схема защиты RMB-1512 независима от аудио сигнала и не влияет на качество звуковоспроизведения. Вместо этого, схема защиты отслеживает температуры выходных транзисторов и отключает усилитель, если они превышают безопасные пределы.

Кроме того, RMB-1512 снабжен защитой от превышения тока, которая срабатывает, только если импеданс нагрузки становится слишком низким.

При наступлении отказа, усилитель остановит воспроизведение, и один или более светодиодов PROTECTION LED загорятся на передней панели. Если это произойдет, выключите усилитель, дайте ему остыть несколько минут и попытайтесь обнаружить и исправить проблему. Для каждой пары каналов существуют свои индикаторы PROTECTION LED, которые могут помочь в определении причины неисправности. Когда вы включаете усилитель снова, схема защиты автоматически сбрасывается и индикатор PROTECTION LED должен погаснуть.

В большинстве случаев, схема защиты активируется в результате неисправности, такой как короткое замыкание в акустическом кабеле или недостаточная вентиляция. В очень редких случаях, срабатывание схемы защиты может обусловить высокая реактивность или чрезвычайно низкий импеданс громкоговорителя нагрузки.

Примечание: Светодиодный индикатор защиты PROTECTION LED загорается также тогда, когда используется система управления по 12-В триггерному сигналу и усилитель находится в режиме ожидания Standby.

Разъемы для входных сигналов

RMB-1512 оснащен стандартными, небалансными входными разъемами типа RCA, какие можно найти почти во всем аудио оборудовании.

В дополнение к шести группам стерео входов, обозначенных INPUT 1 – INPUT 6, имеется еще пара входов с надписями LINK IN. Есть также пара выходов SIGNAL OUTPUT LINK для пропускания входных сигналов, поданных на пару входов LINK IN, на другие аудио компоненты.

Кроме того, входной сигнал, поданный на разъемы LINK IN, может быть автоматически соединен с входом любого из каналов INPUTS 1-6, так что отдельный кабель для подачи сигнала на эти входы не потребуется, как

например, в больших системах, где RMB-1512 используется для подачи аудио на множество пар громкоговорителей.

RCA входы 4

См. рис. 2.

Имеются по два RCA входа для каждой из шести пар каналов усилителя. Эти RCA входы принимают аудио сигналы от предусилителей или процессоров окружающего звука. Используйте межблочные кабели высокого качества для получения наилучшего звучания.

Для каждой пары каналов усиления, соедините левый канал вашего предусилителя с входом LEFT INPUT на RMB-1512. Затем соедините правый канал вашего предусилителя с входом RIGHT INPUT. Убедитесь, что ползунковый переключатель входов справа от RCA входов находится в положении STEREO.

Связывание входов 4

Вы можете связать входы для любой из групп 1–6 входов, сдвинув ползунковый переключатель под каждой парой RCA входов в положение LINK. Когда они связаны, никаких входных соединений для этой группы не требуется. Входной сигнал с разъема LINK IN подается на все связанные пары каналов, позволяя использовать до 12 каналов усиления с одним и тем же входным стерео сигналом.

Переключатель входов в режим моно — Mono Switch 4

Для групп входов INPUT 1 и INPUT 2, когда ползунковый переключатель сдвинут в положение MONO, входы левого и правого каналов будут просуммированы и поданы на обе колонки как моно сигнала.

Органы управления уровнем сигнала на передней панели 3

Шесть органов управления на передней панели, по одному на каждую пару каналов, позволяют вам отрегулировать уровень сигнала на выходе. Они дают вам возможность согласовать громкость с уровнями других компонентов данной системы. Регулировка INPUT 1 меняет коэффициент усиления в каналах INPUT 1, INPUT 2 меняет коэффициент усиления в каналах INPUT 2, и так далее. Для настройки используйте небольшую отвертку с плоским шлицом. Поверните регулятор по часовой стрелке для увеличения коэффициента передачи. Поверните регулятор против часовой стрелки для уменьшения коэффициента передачи.

Разъемы — повторители входного сигнала 5 — Signal Output Link

Эта пара разъемов RCA может быть использована для пропускания необработанного входного сигнала на другие аудио компоненты, например, для подсоединения «цепочкой» дополнительных усилителей, чтобы выдать аудио сигнал на дополнительные колонки. Входной сигнал поступивший на входы LINK IN, становится доступным и на выходах LINK OUT. Обычно они используются тогда, когда усилитель является частью мультимедийной системы.

Примечание: Входные сигналы с входов LINK IN могут быть также поданы на любой из входов INPUT 1–6 (т.е. связаны) с помощью перемещения в положение LINK переключателя INPUT SELECT, относящегося к нужной паре каналов.

Акустические системы

См. рис. 2.

Усилитель RMB-1512 имеет шесть групп колоночных клемм, по одной на каждую пару каналов усиления. Двенадцать каналов можно использовать множеством различных способов. На Рис. 2 показан лишь один пример подключения, для типичной системы с шестью колонками. Здесь, остающиеся шесть каналов по-прежнему могут быть использованы для работы с еще шестью колонками, если это нужно, будь это дополнение к главной системе или же независимые от нее.

Выбор колонок

Номинальное входное сопротивление колонок, присоединенных к каждому каналу RMB-1512, должно быть не меньше 4 Ом. Вы должны быть осторожны, подключая две пары колонок параллельно, т.к. для усилителя их эффективный импеданс уменьшается вдвое. Например, если будут одновременно работать два комплекта АС с импедансом 8 Ом, нагрузка для усилителя окажется равной 4 Ом. Когда работают несколько громкоговорителей в параллель, выбирайте громкоговорители с номинальным сопротивлением 8 Ом или выше.

Выбор акустического кабеля

Используйте изолированный двухпроводной многожильный кабель для присоединения усилителя RMB-1512 к акустическим системам. Размер и качество провода имеют заметное на слух влияние на параметры системы. Стандартный акустический кабель будет работать, но может привести к снижению громкости или ослаблению низких частот, особенно на больших расстояниях. В общем случае, более толстый кабель улучшает звучание. Для наилучших параметров, вы можете применить специальные акустические кабели высокого качества. Ваш авторизованный дилер ROTEL может помочь вам в выборе соответствующих кабелей для вашей системы.

Полярность и фазировка

Полярность или положительная/отрицательная ориентация соединений для каждого громкоговорителя должны быть согласованы, чтобы все акустические системы были в фазе. Если полярность одного соединения по ошибке сделана обратной, звучание низких частот будет очень слабым, а стереокартина деградирует. Все акустические кабели промаркированы, чтобы вы могли отличить два проводника. Это может быть полоса или рифление на изоляции одного проводника. Кабель может иметь прозрачную изоляцию с проводниками разного цвета (медный и серебряный). Это могут быть и метки полярности, напечатанные на изоляции. Определите положительный и отрицательный проводники и согласуйте с каждым разъемом громкоговорителя и усилителя.

Присоединение акустических систем 5

См. Рис. 2

Проложите провода от усилителя RMB-1512 к колонкам. Оставьте для себя достаточный запас, чтобы иметь возможность перемещения компонентов с целью доступа к разъемам громкоговорителей.

RMB-1512 имеет по две пары клемм с цветной кодировкой для каждой группы каналов усиления, одну для правой колонки, другую — для левой.

Надписи над клеммами показывают, как правильно подсоединять громкоговорители. Эти колоночные клеммы допускают подсоединение зачищенных концов кабеля, наконечников “лопатка” и “банан” (кроме стран ЕС, где их использование запрещено).

RMB-1512 оснащен также зажимными гнездами для колоночных проводов, которые упрощают подключение колонок в заказных инсталляциях. Вы можете заранее подсоединить такие разъемы до того, как будет установлен сам усилитель. Гнезда для проводов подключены на выход в параллель с колоночными основными клеммами.

Примечание: Далее описывается подсоединение как к колоночным клеммам, так и к зажимным гнездам. **НИ В КОЕМ СЛУЧАЕ НЕ ИСПОЛЬЗУЙТЕ** оба способа одновременно для подключения множества колонок.

Подсоединение проводов к колоночным клеммам

Если используются наконечники “банан”, закрепите их на концах проводников и вставьте в отверстия клемм. Шестигранные головки клемм должны быть закручены до упора (по часовой стрелке).

Если используются наконечники “лопатка”, закрепите их на концах проводников. Если используются зачищенные концы кабеля, разделите проводники и скрутите жилы. Старайтесь не перерезать жилы проводников. Отверните головки клемм (против часовой стрелки). Наденьте “лопатки” на штыри клемм или оберните концы провода вокруг штырей. Плотно закрутите головки клемм, чтобы обеспечить прочное соединение.

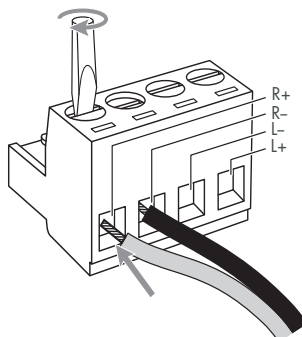
Для каждой группы каналов, подсоедините левую колонку к паре клемм, обозначенных LEFT. Подсоедините правую колонку к паре клемм, обозначенных RIGHT. Следуйте надписям, напечатанным над клеммами. Убедитесь в том, что положительный вывод колонки соединен с + клеммой на усилителе. Убедитесь в том, что отрицательный вывод колонки соединен с – клеммой на усилителе.

Примечание: Убедитесь, что не осталось “разлохмаченных” жил, которые могут замкнуться между собой, на соседнюю клемму или на корпус.

Подсоединение проводов к зажимным гнездам

Подсоедините колоночные провода так, как показано на рисунке. Вставьте зачищенные концы кабеля в открытые отверстия и заверните винты так, чтобы зафиксировать проводники на месте.

Убедитесь, что полярность подключения правильная.



Возможные неисправности

Большинство проблем в аудио системах появляются в результате плохих или неверных соединений, или неправильных управляющих настроек. Если вы столкнулись с проблемами, изолируйте область их возникновения, проверьте настройки, определите причину неисправности и сделайте необходимые изменения. Если вы не можете добиться звука от своего усилителя RMB-1512, обратитесь к советам для следующих ситуаций:

Индикатор питания на передней панели не светится

На усилитель RMB-1512 не подается питание. Проверьте сетевые разъемы на усилителе и в розетке. Проверьте выключатель питания на передней панели. Убедитесь, что он находится в положении ON. Если используется включение 12-вольтовым запускающим сигналом, убедитесь, что запускающий сигнал присутствует в гнезде 12V TRIG IN на задней панели.

Нет звука

Если на усилитель подается сетевое напряжение, но звук не воспроизводится, проверьте индикатор защиты PROTECTION INDICATOR на передней панели. Если он светится, переходите к следующему разделу. Если нет, проверьте все ваши входные разъемы и настройки управления для подсоединенного оборудования. Проверьте, соответствует ли подсоединение громкоговорителей и входных сигналов конфигурации вашей системы.

Индикатор защиты светится

Индикатор защиты на передней панели светится, когда схемы защиты отключили усилитель. Обычно, это происходит, когда усилитель перегрелся, когда присоединен неисправный громкоговоритель или после периода работы на максимальной мощности. Выключите систему и подождите, чтобы усилитель остыл. Затем нажмите и отожмите кнопку включения питания на передней панели, чтобы сбросить приборы защиты. Если проблема не устранена или проявляется снова, значит, отказала ваша система или сам усилитель.

Технические характеристики

Выходная мощность непр. (20 Гц – 20 кГц, <0,03%, 8 Ом)	100 Вт/на канал
Общие гармонические искажения THD (20 Гц – 20 кГц, 8 Ом)	<0,03%
Интермодуляционные искажения (60 Гц : 7 кГц, 4:1)	<0,03%
Демпфинг-фактор (20 Гц – 20 кГц, 8 Ом)	200
Входной импеданс / чувствительность	8.3 кОм / 1,25 В
Усиление	27.2 дБ
Диапазон частот (± 1 дБ)	10 Гц – 40 кГц
Отношение сигнал/шум (А-взвешенное, IHF)	105 дБ
Разделение каналов	> 70 дБ
Импеданс колонок	4 Ом, минимум
Авто включение, уровень (по всем входам)	Входной сигнал 5 мВ
Напряжение питания	США: 120 В, 60 Гц Европа: 230 В, 50 Гц
Потребляемая мощность	660 Вт Хол. ход: 84 Вт Standby: 10.8 Вт
Габаритные размеры (ШxВxГ)	431x144x449 мм 17 x 5.7 x 17.8 in
Вес (нетто)	10.9 кг. 23.98 lbs
Высота передней панели	3U, 132,6 мм / 5.2 in

Все характеристики являются точными на момент публикации.

ROTEL оставляет за собой право вносить улучшения без уведомления.



ROTEL®

The Rotel Co. Ltd.

10-10 Shinsen-Cho
Shibuya-Ku
Tokyo 150-0045
Japan

Rotel of America

54 Concord Street
North Reading, MA 01864-2699
USA
Phone: +1 978-664-3820
Fax: +1 978-664-4109

Rotel Europe

Dale Road
Worthing, West Sussex BN11 2BH
England
Phone: + 44 (0)1903 221 761
Fax: +44 (0)1903 221 525

Rotel Deutschland

Vertrieb: B&W Group Germany GmbH
Kleine Heide 12
D-33790 Halle/Westf., Deutschland
Tel.: 05201 / 87170
Fax: 05201 / 73370
E-Mail: info@bwgroup.de
www.rotel-hië.de

www.rotel.com

082 OMRMB1512 090407 English • Français • Deutsch • Español
Nederlands • Italiano • Svenska • Русский