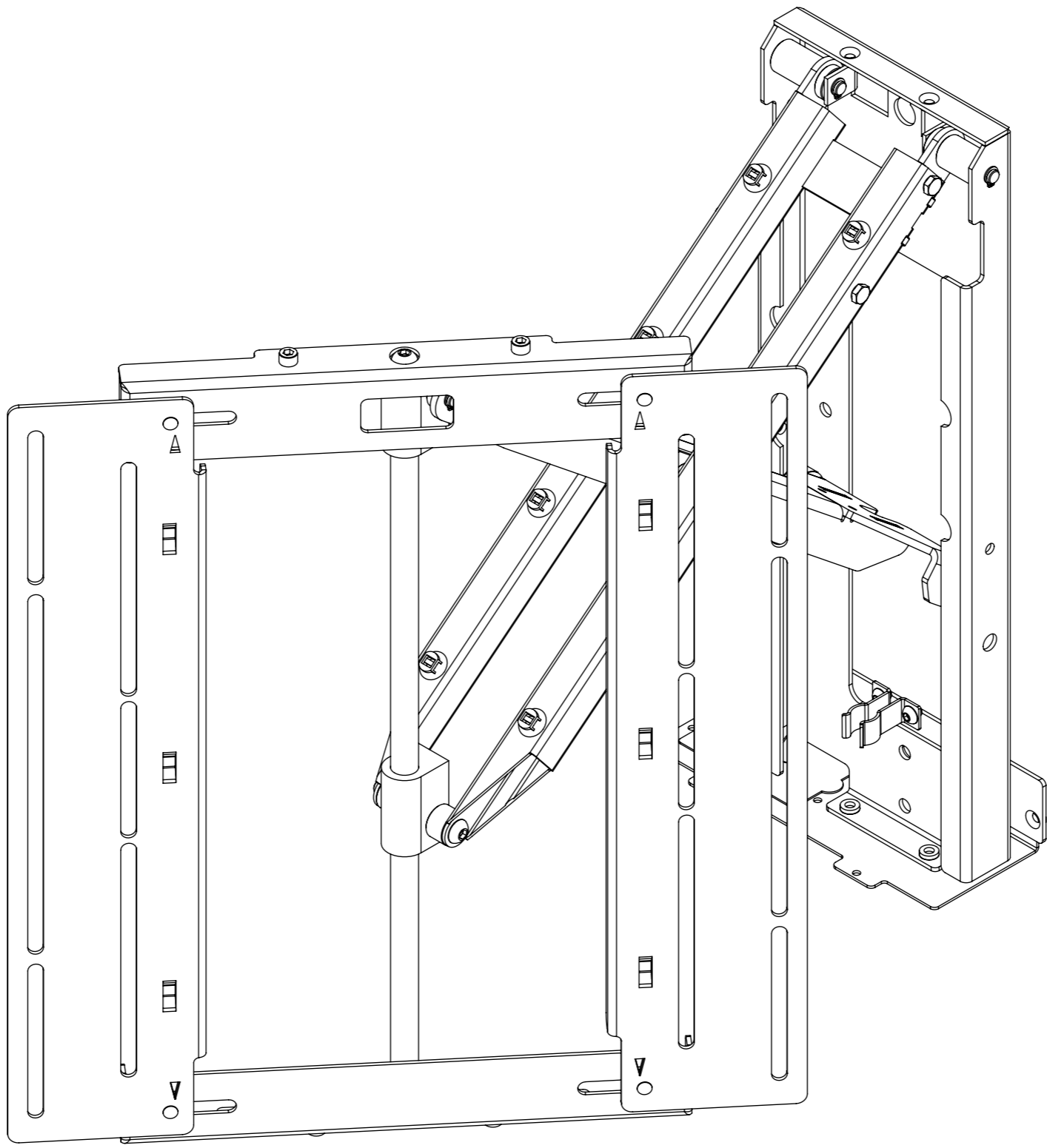


PS40

PULL & SWIVEL MANUAL WALL MOUNT



future automation



PS40

PULL & SWIVEL MANUAL WALL MOUNT



SPECIFICATION	MEASUREMENTS
Screen Sizes	40" - 75"
Maximum Weight Capacity	60Kg (132lb)
Maximum Extension From Wall	400mm (15.7")
Minimum Depth From Wall	52mm (2")
Packaging Dimensions	335 x 515 x 70mm (13.18 x 20.27 x 2.75")
Shipping Weight	12Kg (26lb)
Maximum Rotation	50° - Bi-directional with 43" screen - 38° with 55" - 32° with 65" - 27° with 75"
Movement Type	Manual
Mounting Patterns Supported	VESA 400, 300, 200, 100 W x 400, 300, 200, 100 H
Product Options / Features	Specific B&O and Loewe mounts / adapters, Custom RAL paint finishes, Wall Boxes
Package Contents	Mechanism
Marine Suitable	No

PS40

PULL & SWIVEL MANUAL WALL MOUNT

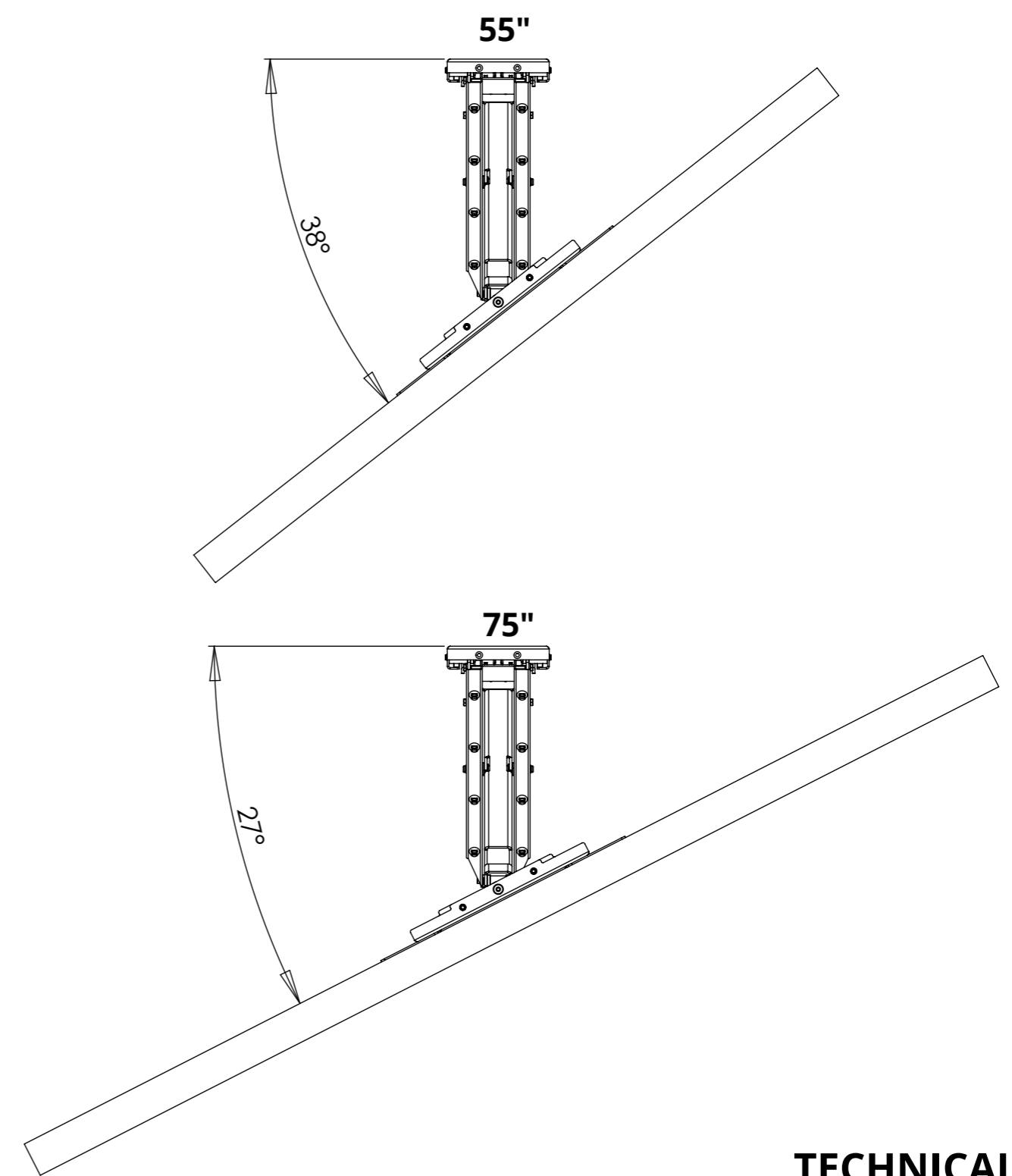
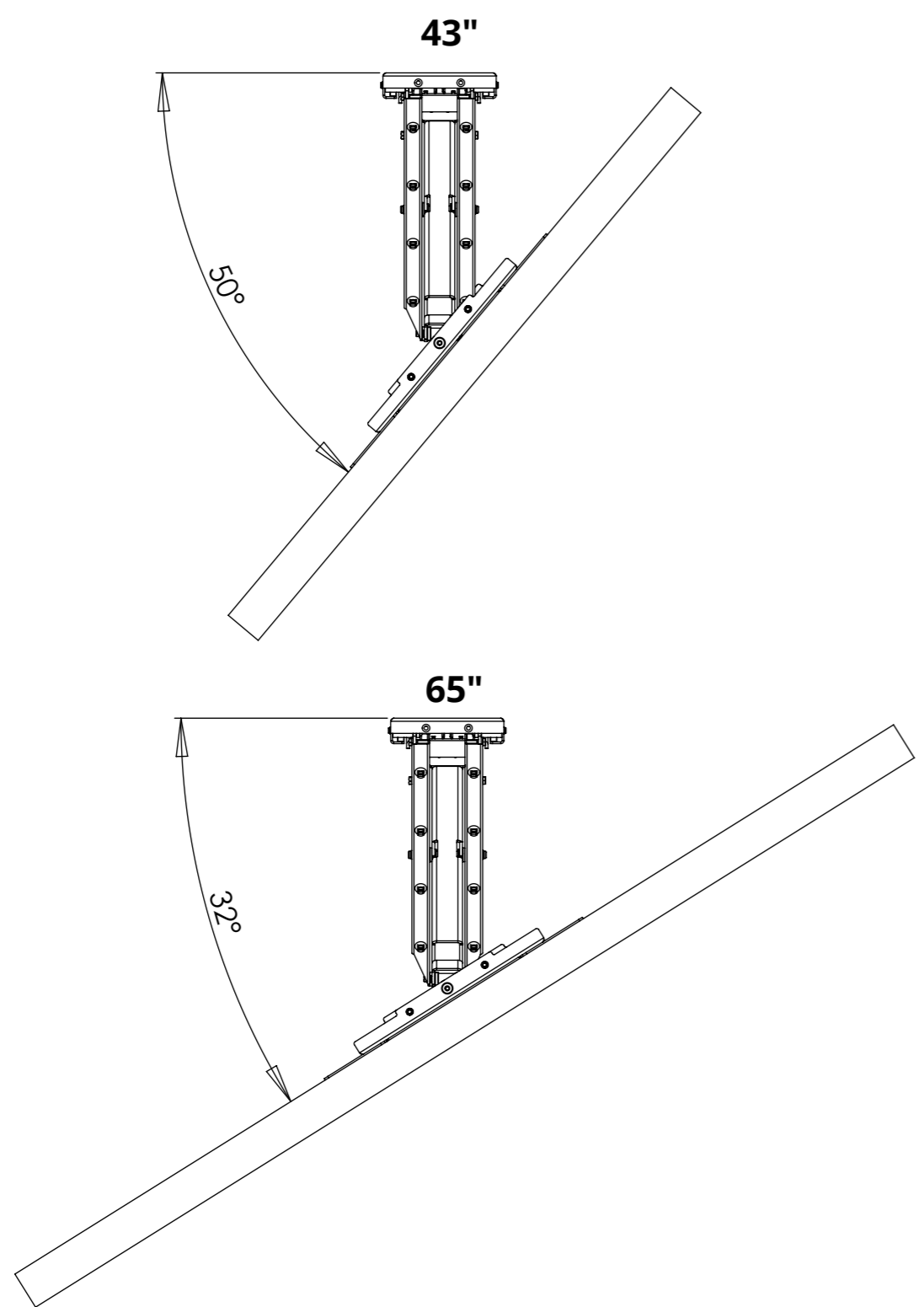


future automation

SCREEN ANGLES

The views below show the approximate maximum swivel angles achievable for varying screen sizes.

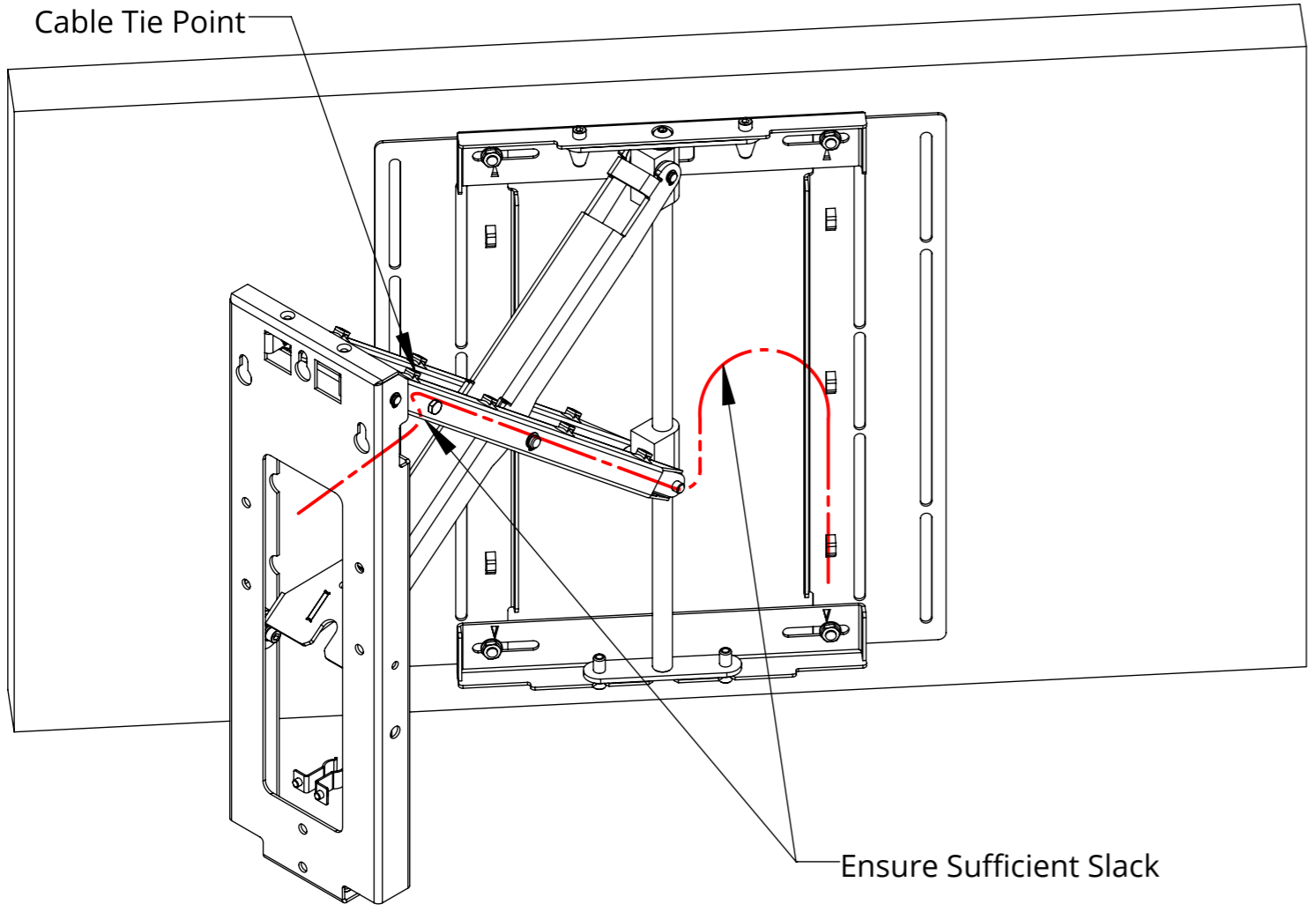
NOTE: The maximum swivel angle achievable is 50° regardless of screen size



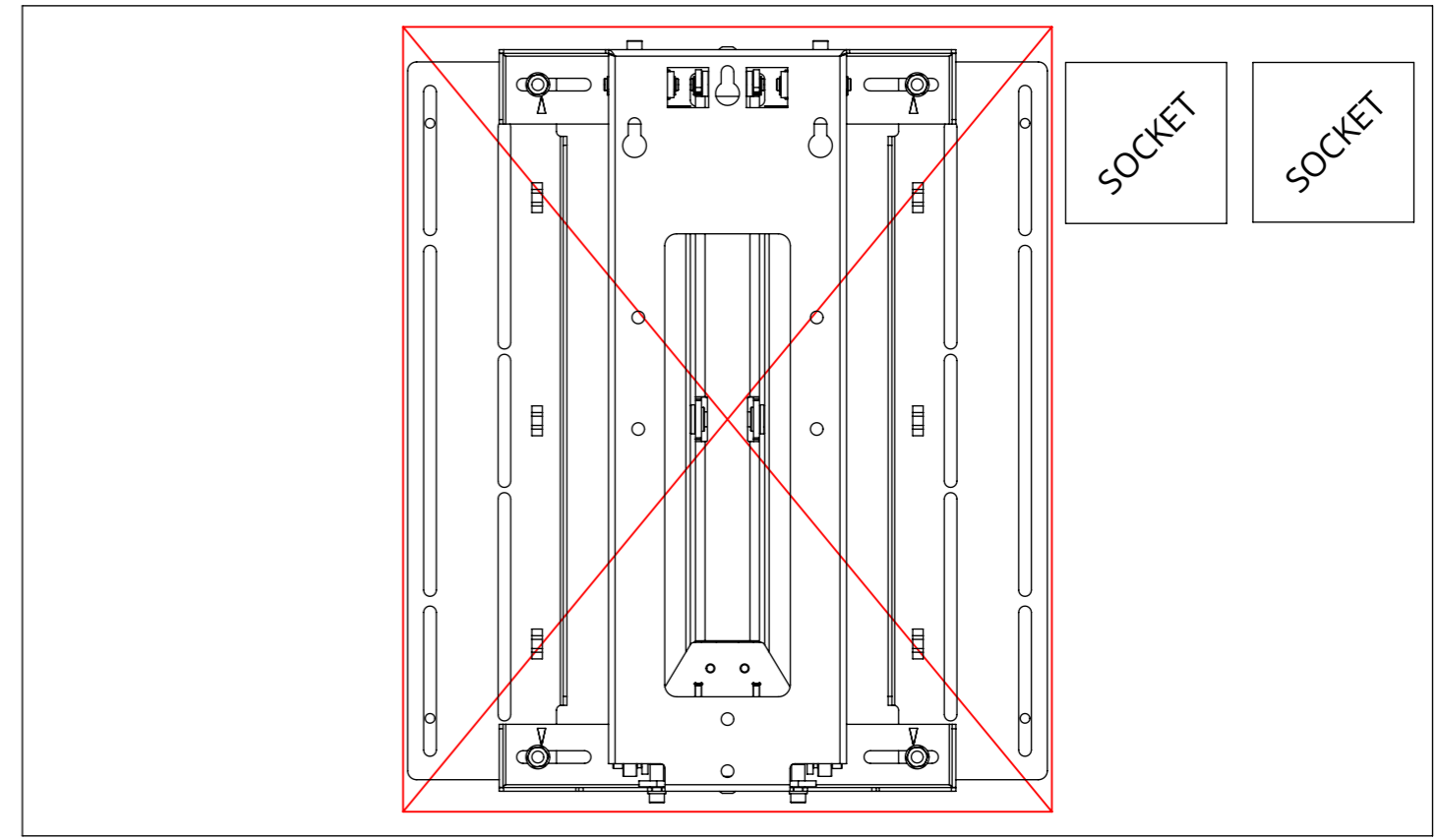
PS40 PULL & SWIVEL MANUAL WALL MOUNT

CABLE ROUTING & SOCKET PLACEMENT

Route the screen cables as shown below ensuring sufficient slack at moving points and secure in place using the integrated cable tie points.

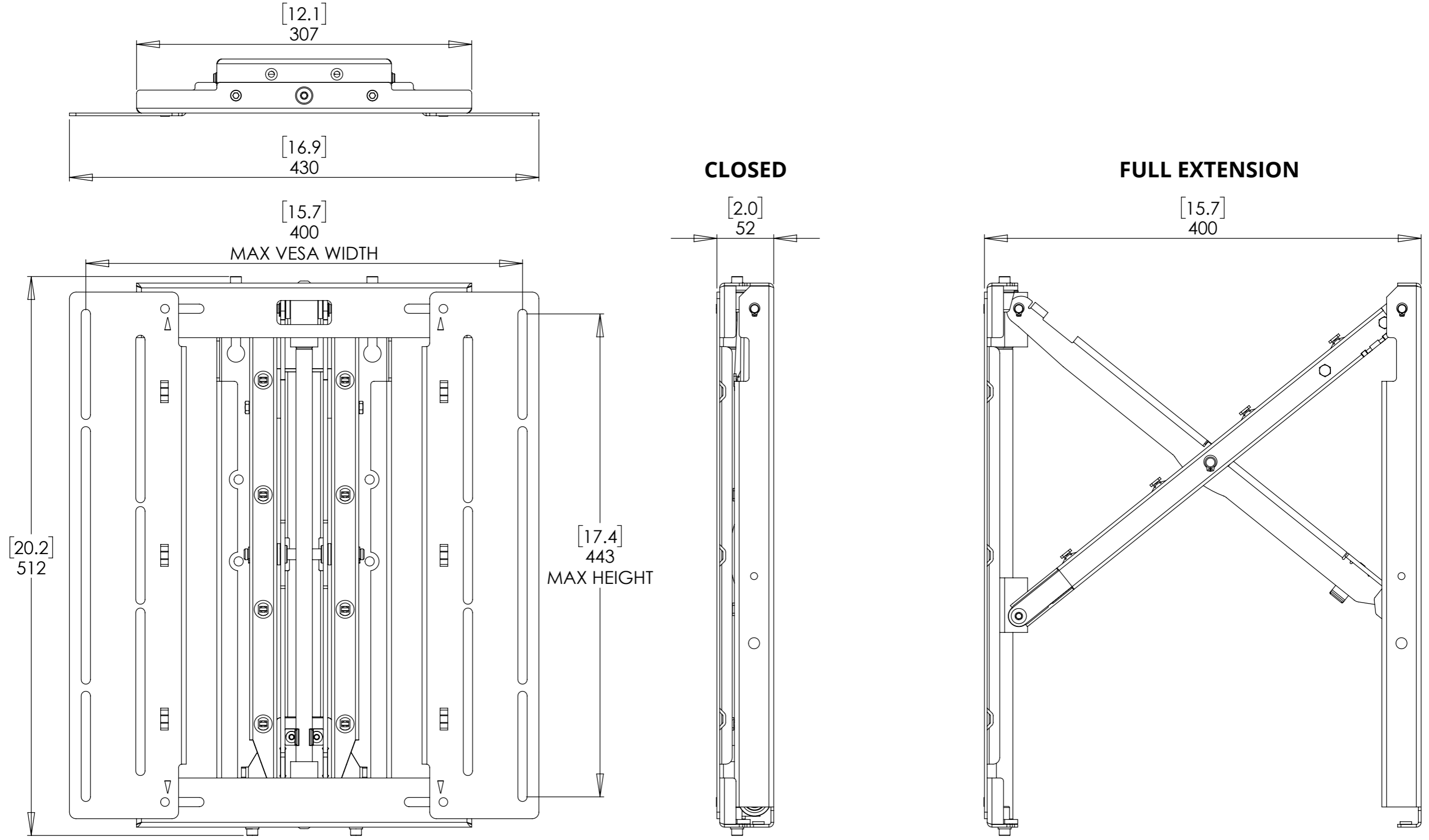


Wall sockets should be ideally placed as shown outside of the bracket footprint to maximise space for cable routing



PS40 PULL & SWIVEL MANUAL WALL MOUNT

GENERAL DIMENSIONS

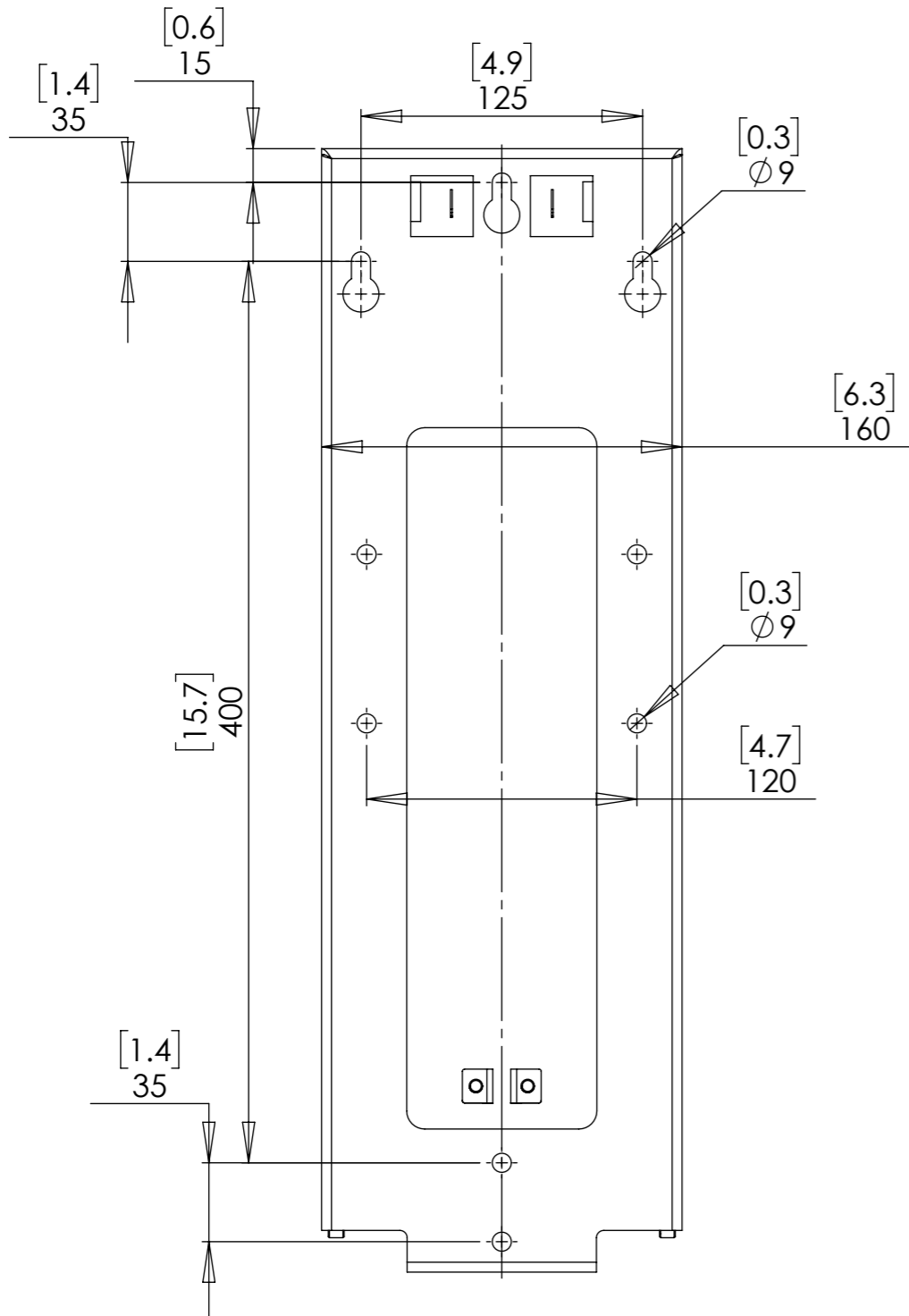


PS40 PULL & SWIVEL MANUAL WALL MOUNT

MOUNTING DIMENSIONS

Wall Plate

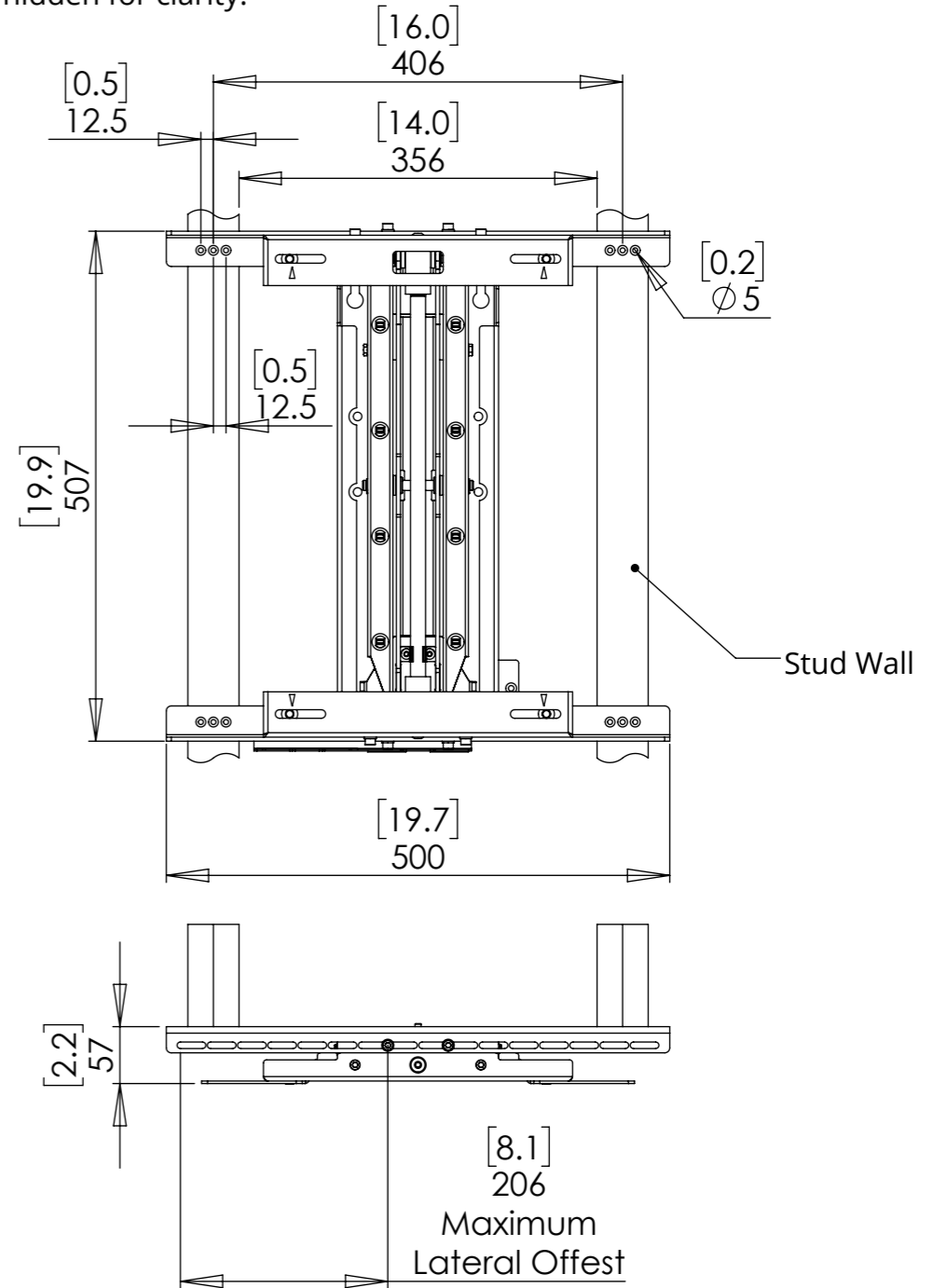
Make sure the wall that the bracket is being mounted to is secure and strong enough to support the bracket and screen.



Stud Rail Kit

The included Stud Rail Kit allows the PS40 to be easily installed on a stud wall and allows for the lateral position of the mount to be adjusted if desired.

Uprights hidden for clarity.



PS40

PULL & SWIVEL MANUAL WALL MOUNT



WALL BOX OPTIONS

The PS40 can be installed in each of the wall boxes shown below for an ultra slim installation, whilst still providing space for additional accessories such as HDMI baluns, Apple TV, Samsung One Connect etc. See corresponding technical sheet for more information.

- Each wall box comes complete with:
- PS bracket mount rails
 - Set of 3 accessory clamp brackets
 - Set of trim strips
 - WattBox mounting kit

