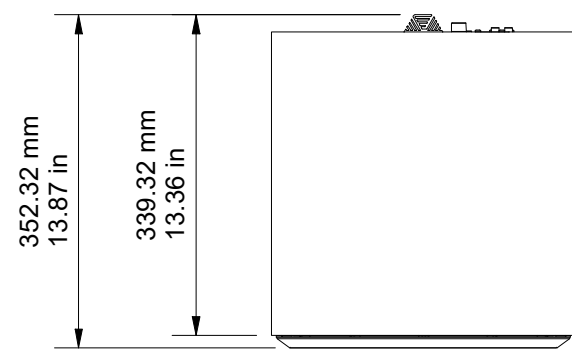
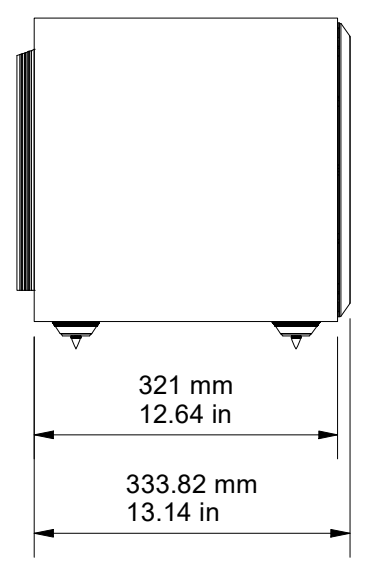


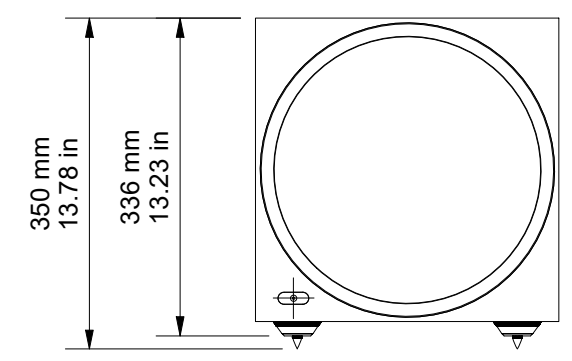
TOP



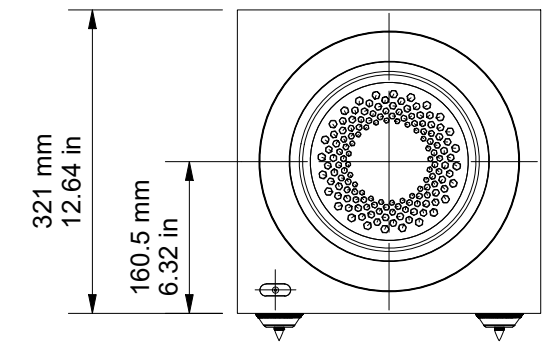
SIDE



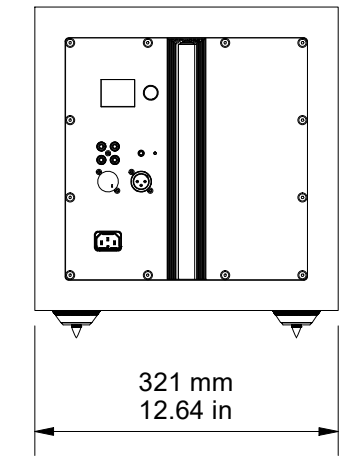
FRONT



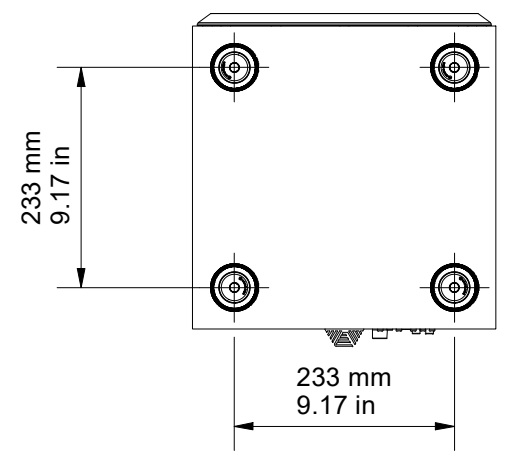
FRONT (GRILLE OFF)



BACK



BASE



DRAWING FOR REFERENCE ONLY

W10		
	RANGE: ANTHRA	
	© COPYRIGHT MONITOR AUDIO	
	14/02/2023	
		 3RD ANGLE