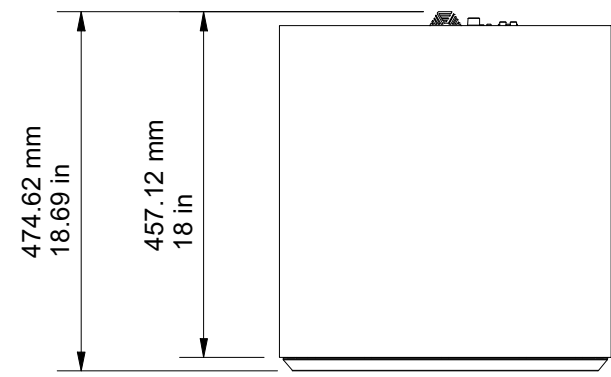
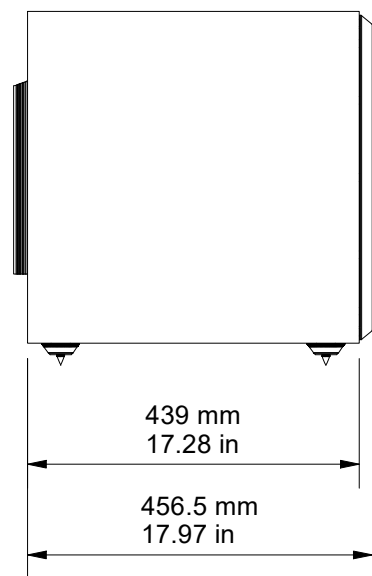


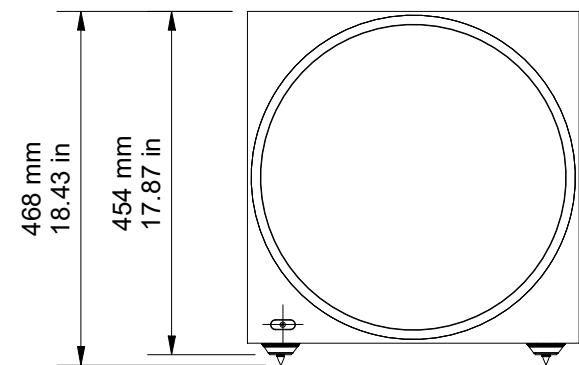
TOP



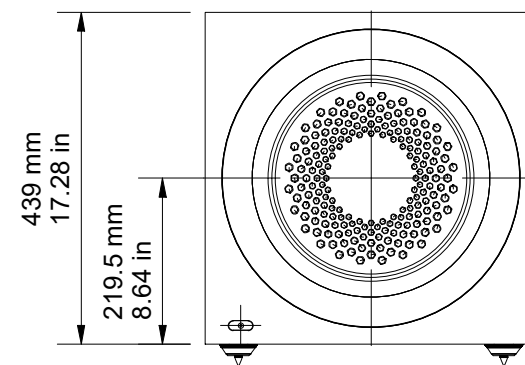
SIDE



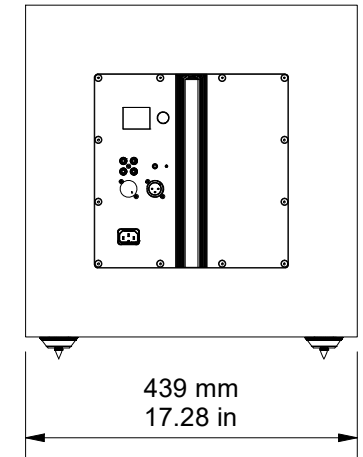
FRONT



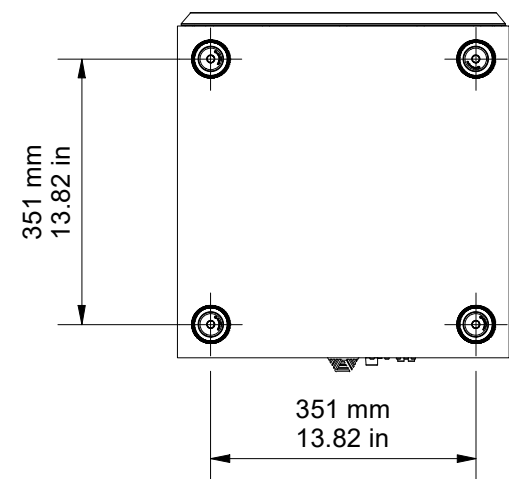
FRONT (GRILLE OFF)



BACK



BASE



DRAWING FOR REFERENCE ONLY

W15



RANGE: ANTHRA

© COPYRIGHT MONITOR AUDIO

14/02/2023

